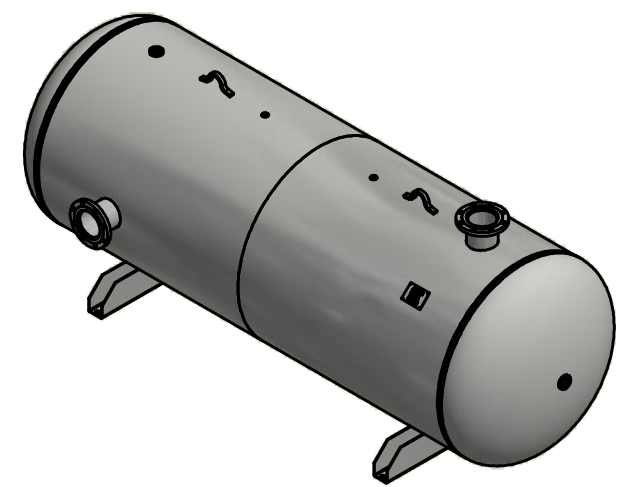
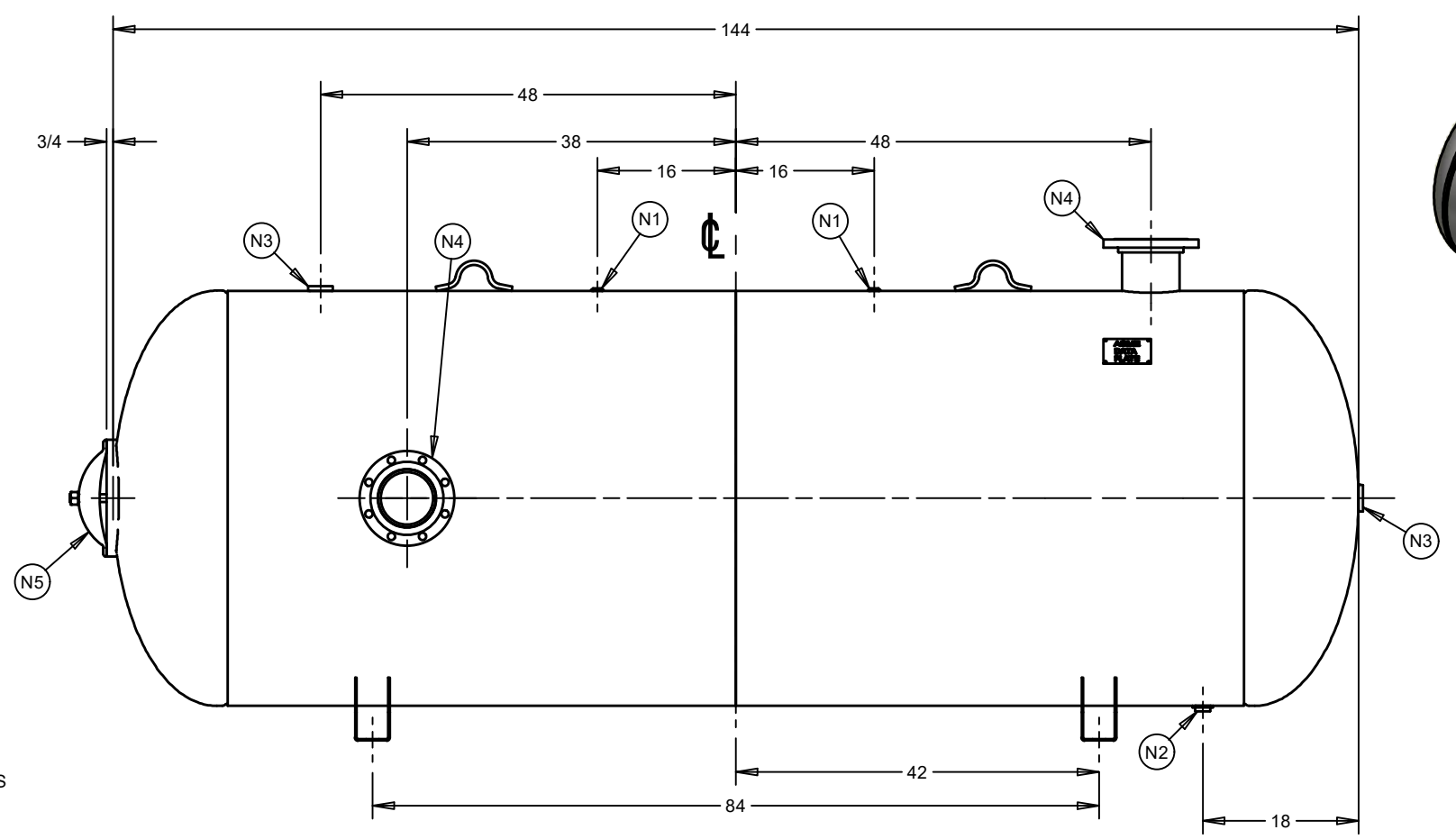
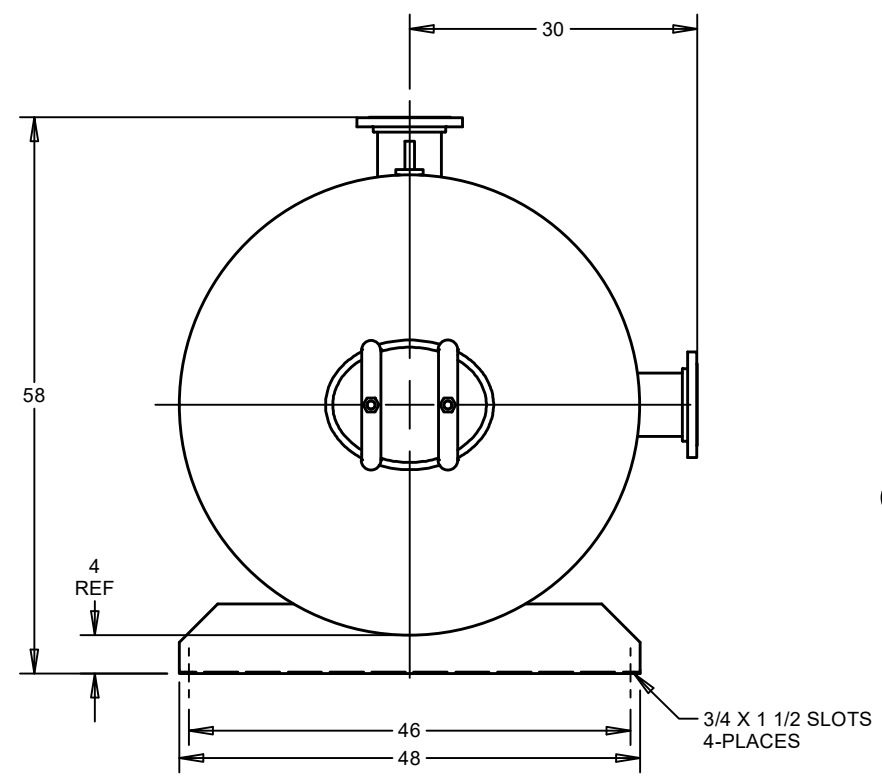


NOZZLE CHART		
NOZZLE ID	NPS SIZE	TYPE
N1	1/2	NPT
N2	1	NPT
N3	2	NPT
N4	6	150# FLG
N5	MANWAY	



DESIGN INFORMATION	
SPECIFICATION	VALUE
DIAMETER O.D./I.D.	48 O.D.
MAWP	155 PSI AT 400°F
MDMT	-20°F AT 155 PSI
CAPACITY	APPROX 1060 GALLONS
SHIPPING WEIGHT	1966 LBS
CRN	L4208.5C

TITLE HORIZONTAL AIR RECEIVER		DRAWN KAT		CHECKED DMM		DRAWING NO A10368		REV G19	
CUSTOMER STOCK		TYPE ASME		DATE 9/30/2016		DATE 10/14/2016		SIZE: B	

REV	DESCRIPTION	BY	DATE
G19	ISSUED		

(BUILT IN ACCORDANCE WITH LATEST EDITION OF SECTION VIII DIV 1 ASME CODE)

THIS DRAWING & SPECIFICATIONS ARE PROPERTY OF SPVG AND MAY NOT BE COPIED, REPRODUCED, OR USED IN WHOLE OR PART, AS A BASIS FOR DESIGN MANUFACTURE OR SALE WITHOUT PRIOR PERMISSION FROM SPVG.



SIZE: B SHEET 1 OF 1