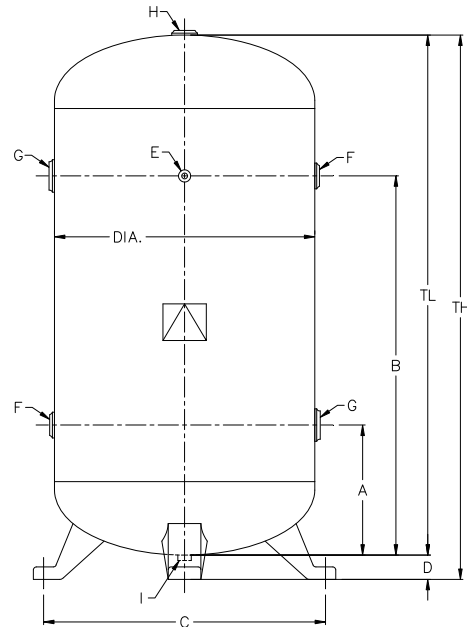


PENWAY

Vertical Air Receivers 30 - 80 Gallons



Description: Vertical Air Receiver with Feet

Specifications: Built to ASME Code Section VIII

National Board Registration

Carbon Steel

Grey Primer

200 PSI Working Pressure

Other Design Pressures Available

NOTE: QTY (4) FORMED FEET

PART #	DESIGN PRESSURE	DESCRIPTION				DIMENSIONS (INCHES)				OPENINGS (NPT)					WT. (LBS)
		GAL	DIA	TL	TH	A	B	C	D	E	F	G	H	I	
A21216038200	200 PSI	30	16	38	40 5/8	9	29	18	2 5/8	1/4	3/4	1 1/2	1 1/2	1/2	83
A21220048200	200 PSI	60	20	48	50 1/8	10	38	23	2 1/8	1/4	3/4	2	1 1/2	1/2	132
A21224048200	200 PSI	80	24	48	50 1/4	12	35	26	2 1/4	1/4	1 1/4	2	1 1/4	1/2	200
A21220063200	200 PSI	80	20	63	65 1/8	10	53	23	2 1/8	1/4	1	2	1 1/2	1/2	175