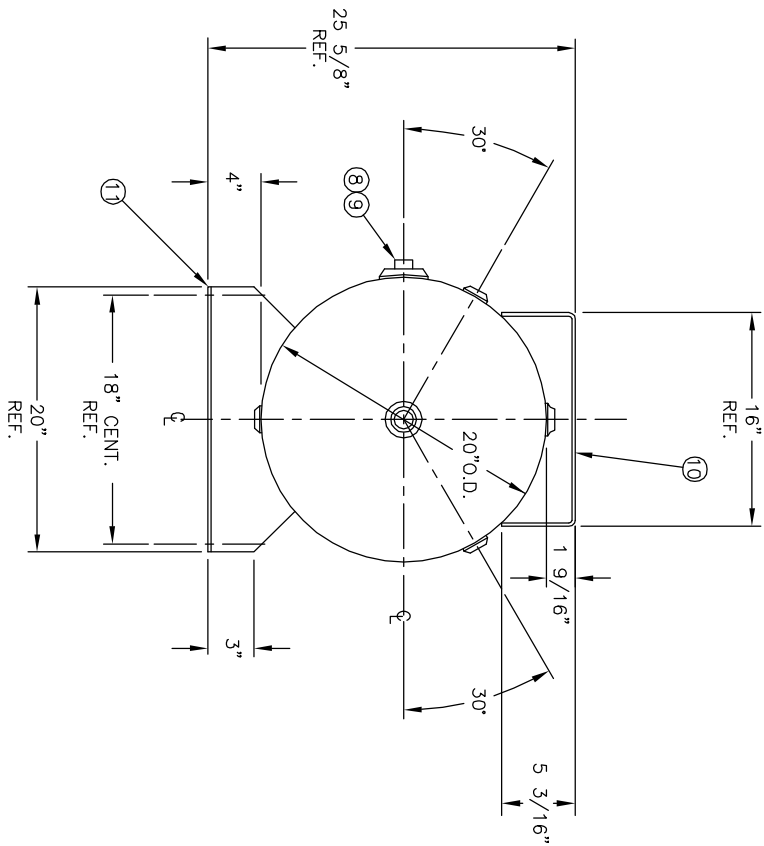
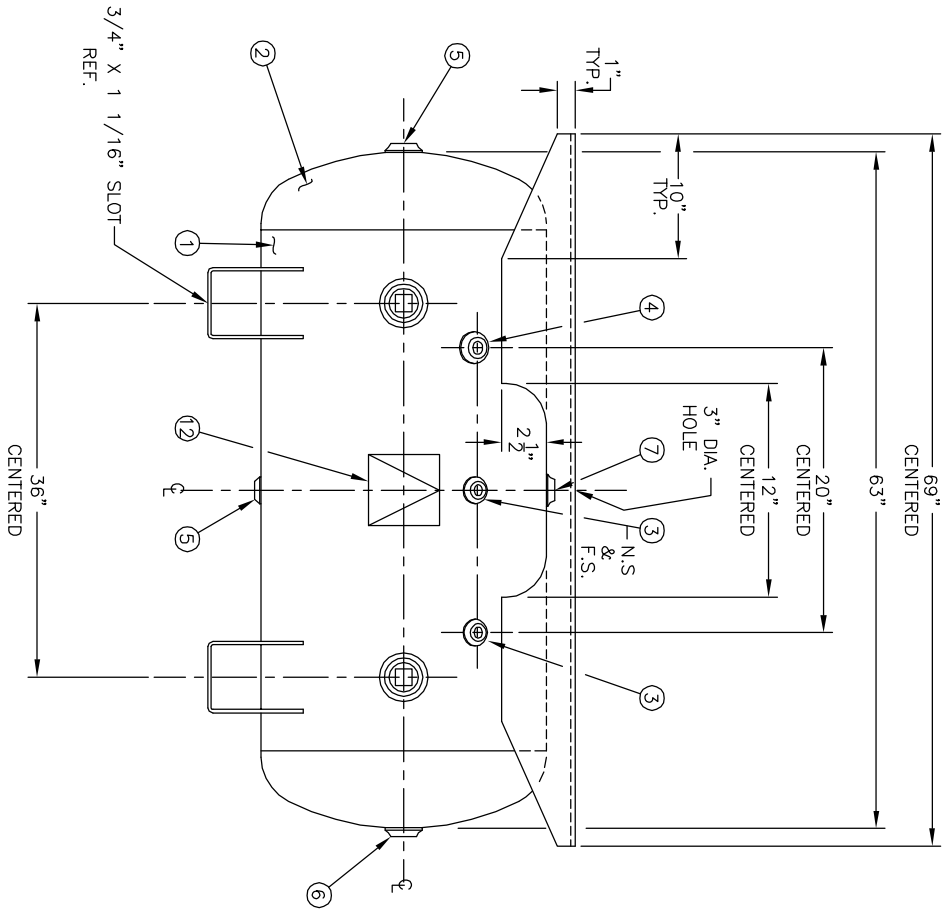


CODE/ADDENDA 2010/2011A APPROVED
 RELEASED FOR PRODUCTION
 Q.C. _____ DATE _____



NO. QTY	DESCRIPTION	SPEC	SUB-DWG.
1	1	SA-414-G	
2	2	SA-414-G	
3	3	SA-181-70	
4	1	SA-181-70	
5	2	SA-181-70	
6	1	SA-181-70	
7	1	SA-181-70	
8	2	SA-181-70	
9	2	SA-181-70	
10	1	C1010	
11	2	C1010	
12	1	C1010	

REVISION

App

NOTES

SPECIFICATIONS



80 GALLON
 STD. HORIZ. W/EXTENDED PLATFORM

DATE	BY	REVISION	App	NOTES	SPECIFICATIONS	DATE	SCALE
8/3	8/3				O.D. 20 LGH. 63 MAMP 200 PSI @ 650 F CRN F0516.1C WELD DETAILS: M-1932 STD. TOLERANCES (UNLESS OTHERWISE NOTED): M-2461	QAL 80 WT. 375 CODE: ASME SEC. VIII DIV. 1 LATEST EDITION & ADDENDA	NONE 303977