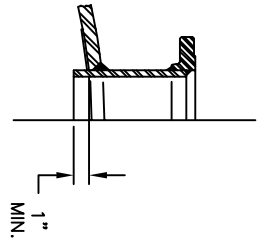
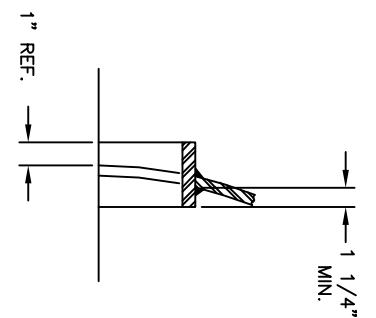


CODE/ADDENDA APPROVED
 RELEASED FOR PRODUCTION
 Q.C. _____ DATE _____

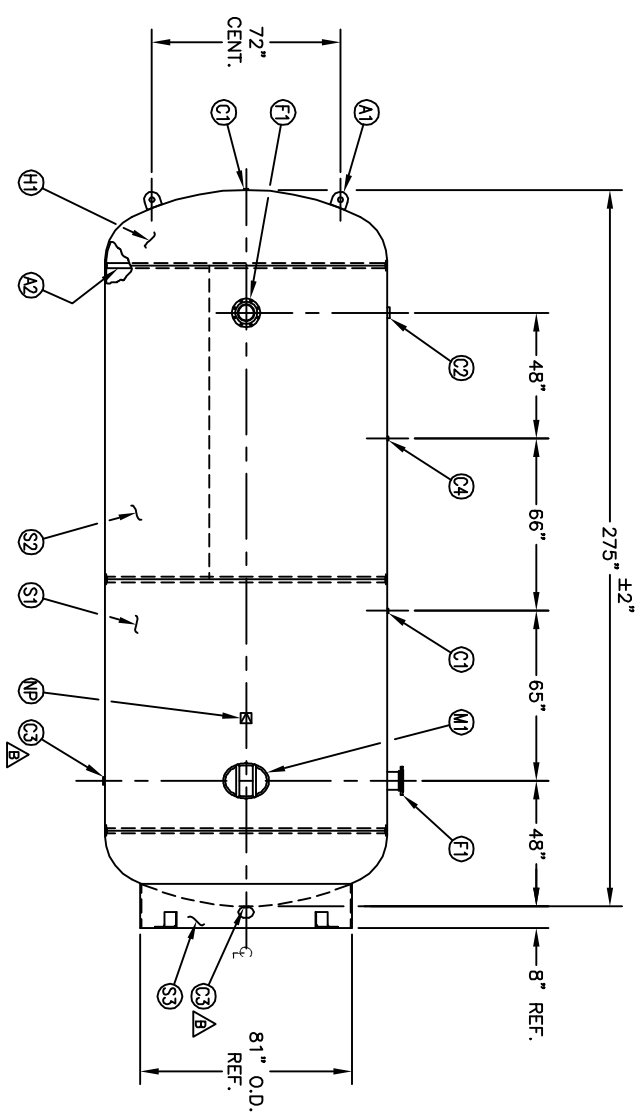
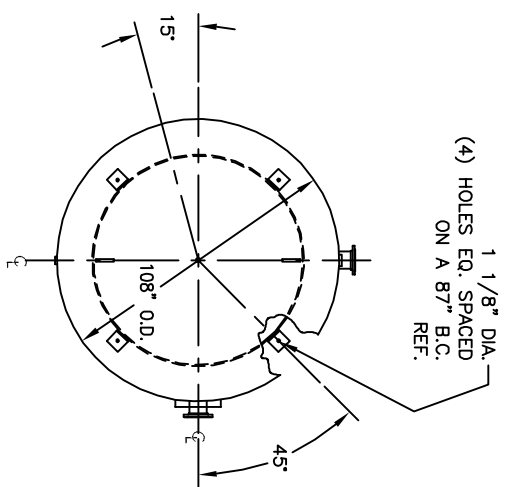


NOZZLE DETAIL



MANWAY DETAIL

NO. QTY	DESCRIPTION	SPEC	SUB-DWG.
S1 1			
S2 1			
H1 2			
F1 2	6" 150# ANSI RF-SO. FLANGE	SA-105	
F1 2	6" SCH.80 PIPE X 8" LONG	SA-106-B	
F1 2	.134 X 8 5/8" X 6 5/8" BACKING RING	C1008	
C1 2	1"-NPT 3000# FULL COUPLING	SA-105	
C2 1	3"-NPT 3000# FULL COUPLING	SA-105	
C3 2	1-1/4"-NPT 3000# HALF COUPLING	SA-105	
C4 1	1/4"-NPT 3000# T.O.E. COUPLING X 2 3/8" LONG	SA-105	
M1 1	12" X 16" X 3/4" X 4" 300# MANWAY	SA-075-70/SA-106-C	
S3 1	STANDARD 8" SKIRT & CLIP ASSY. FOR 108" DIA. TANK		
A1 2	1" X 6" X 6" STANDARD LIFT LUG		
A2 3	3/16" X 2" X 335 9/16" BACKING RING	C1008/SA-36	
NP 1	ASME DATA PLATE	C1010	



SM/DATE	BY	REVISION	APP	NOTES	SPECIFICATIONS
A	JC		JC		
B	BS		BS		

BREAK ALL EXPOSED INTERIOR NOZZLE EDGES
 ALL FLANGE BOLT HOLES TO STRADDLE VESSEL CENTERLINES

Q.D. 108 LGTH. 275 SH.
 MAMP 137 PSI @ 450 F. HD.
 RT- MAMP -20 TO 137 PSI QAL 10000 SA.697
 EXMT TEST PSI WT. 15700# CUFT. 1327
 CORR ALW SH HD
 CRN N/A CODE ASME SECT. VIII, DIV.1
 WELD DETAILS: M-1932 PER DATE OF DWG/LAST REV
 STD. TOLERANCES (UNLESS OTHERWISE NOTED): M-2461

MANCHESTER TANK
 Q:\3000
 STANDARD VERTICAL
 AIR RECEIVER
 DRAWN BY: WILDMAN DATE: SCALE: NONE
 APP. BY: REED DATE: DRAWING NO. 303970