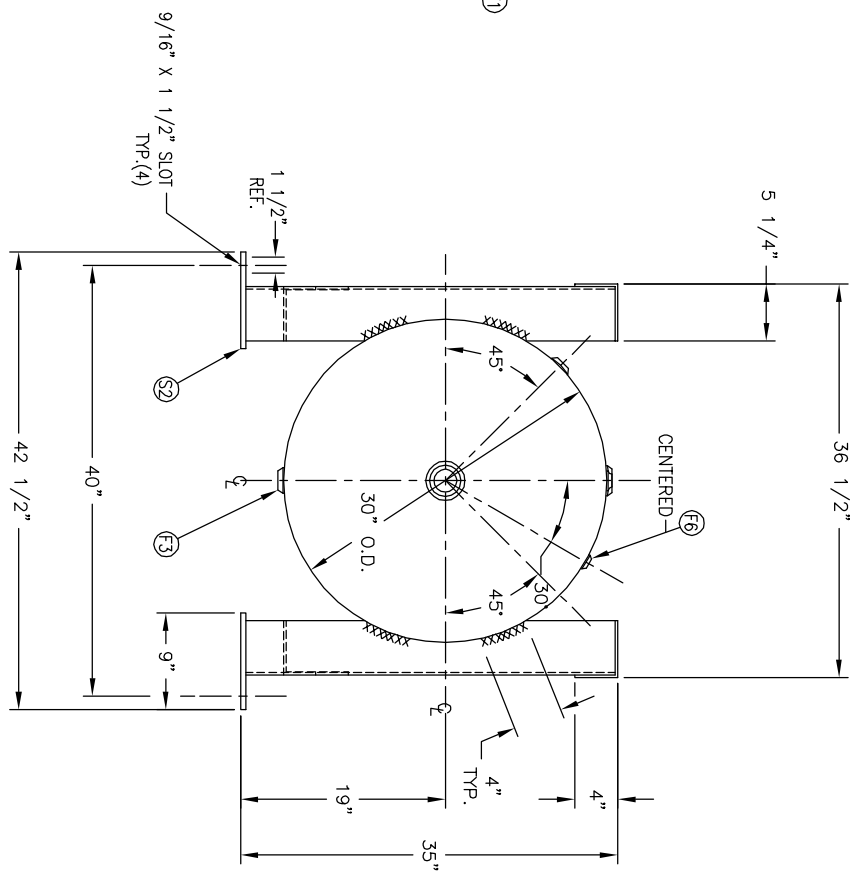
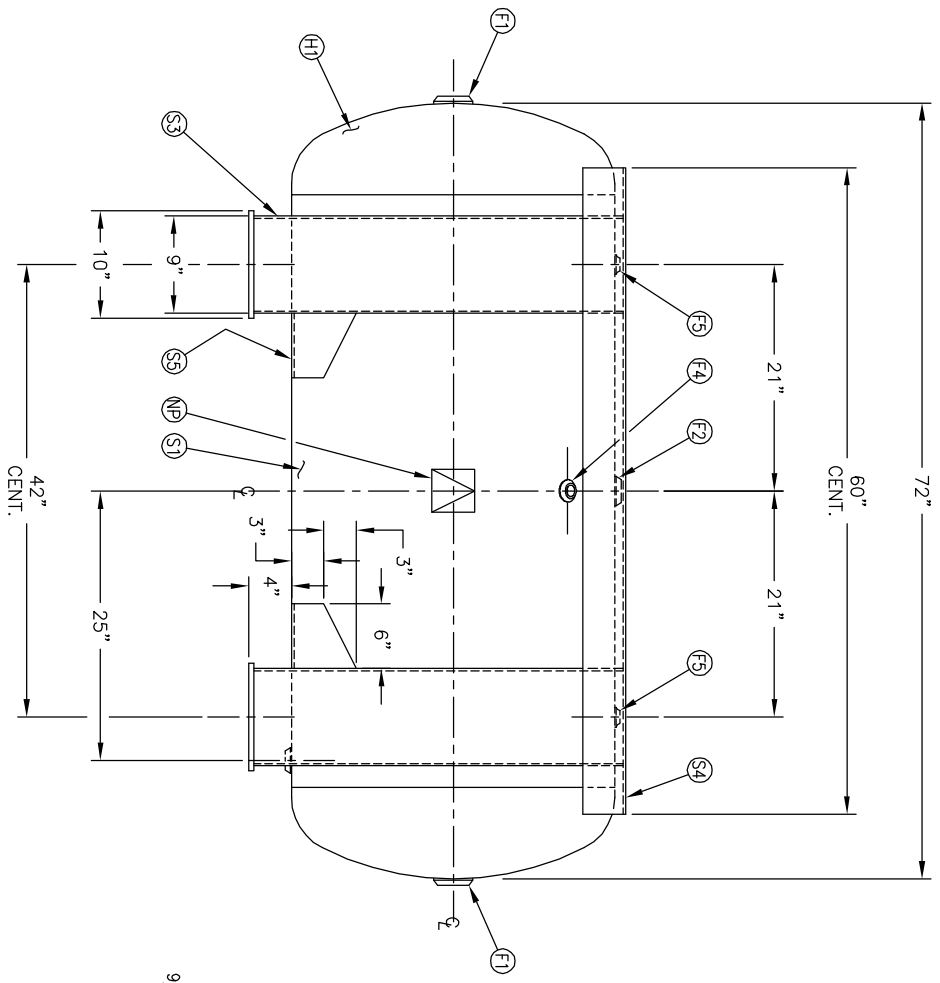


NO. QTY	DESCRIPTION	SPEC	SUB-DWG.
S1 1			
H1 2			
F1 2	2 NPT 1500# FLAT FLANGE	SA-181-70	
F2 1	1 1/2 NPT 1500# RADIAL FLANGE	SA-181-70	
F3 1	1 NPT 1500# RADIAL FLANGE	SA-181-70	
F4 1	3/4 NPT 1500# RADIAL FLANGE	SA-181-70	
F5 2	1/2 NPT 1500# FLAT FLANGE	SA-181-70	
F6 1	1/8 NPT 1500# FLAT FLANGE	SA-181-70	
S2 4	1/2" X 9" X 10" PAD	SA-36	
S3 4	3/16" X 18 1/4" X 34 1/4" LEG	C1010	
S4 2	1/4" X 8 3/4" X 60" FORMED ANGLE	C1010	
S5 4	1/4" X 6" X 10 1/2" LEG	C1008	
NP 1	ASME DATA PLATE	C1010	



REV	DATE	BY	REVISION	APP	XREF	REV	NOTES

SPECIFICATIONS	
O.D. 30	LGTH. 72
MANIP 200 PSI @ 450 F	
RT - MDMT -20 F @ 200 PSI	
EXMT TEST	
CNR. E0495.1234567890	
WELD DETAILS: M-1932	
STD. TOLERANCES (UNLESS OTHERWISE NOTED): M-2461	

MANCHESTER TANK
Q:\3000

30" X 72"
GRASSHOPPER TANK

DRAWN BY	DATE	SCALE:	NONE
C. HAYRE		DRAWING NO.	302643
APP. BY	DATE		
J. REED			