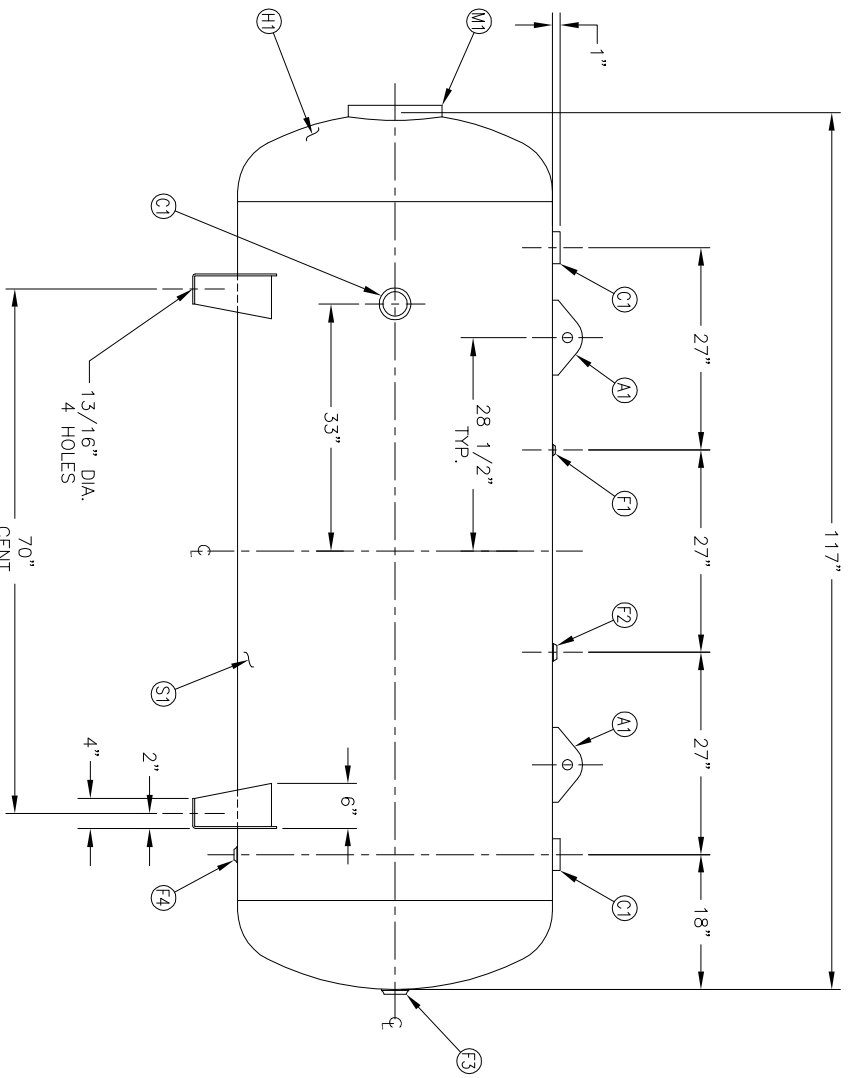
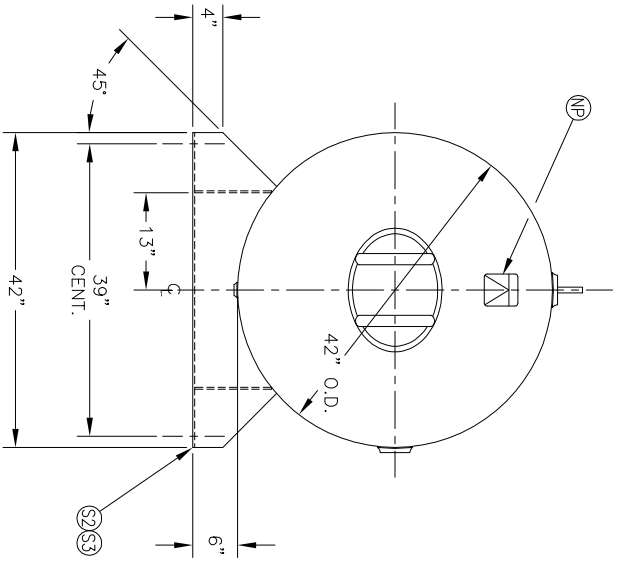


MANWAY DETAIL



NO. QTY	DESCRIPTION	SPEC	SUB-DWG.
S1 1			
H1 2			
C1 3	3 NPT 3000# HALF COUPLING	SA-105	
F1 1	1/4 NPT 1500# FLAT FLANGE	SA-181-70	
F2 1	1 NPT 1500# FLAT FLANGE	SA-181-70	
F3 1	2 NPT 1500# FLAT FLANGE	SA-181-70	
F4 1	3/4 NPT 1500# RADIAL FLANGE	SA-181-70	
M1 1	12" X 16" X 3/4" X 4" 300# MANWAY	SA-675-70/SA-106-C	
S2 2	1/4" X 14 3/4" X 42" SADDLE BRACKET	C1008	
S3 4	1/4" X 6" X 10" GUSSET	C1008	
A1 2	1/2" X 4" X 10" STANDARD LIFT LUG FOR HORIZ.		
NP 1	ASME DATA PLATE	C1010	A84540

SWM DATE	BY	REVISION	APP	XREF	REV	NOTES	SPECIFICATIONS



42" X 117"
STANDARD AIR REC.

O.D. 42 LGH. 117
MAMP 200 PSI @ 450 F
GAL. 660
WT. 1375#
CORR ALW --- SH --- HD
CODE ASME SECT VIII, DIV 1
PER DATE OF DWG/LAST REV
CRN. L8983.5C
WELD DETAILS: M-1932
STD. TOLERANCES (UNLESS OTHERWISE NOTED): M-2461

SCALE: NONE
DRAWING NO. 302491