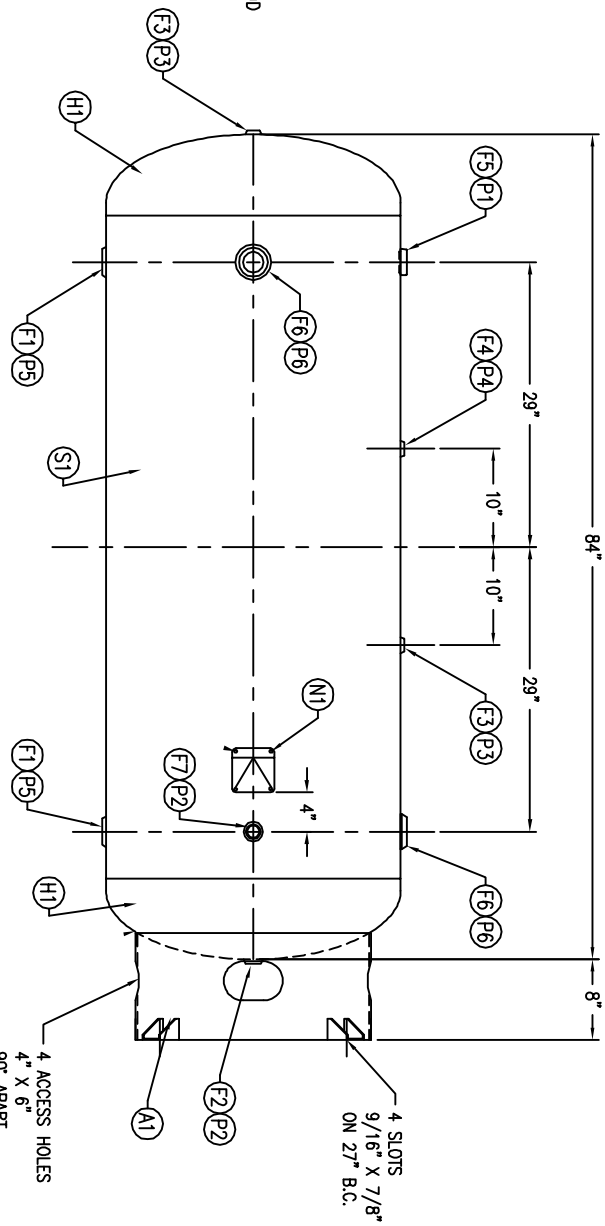
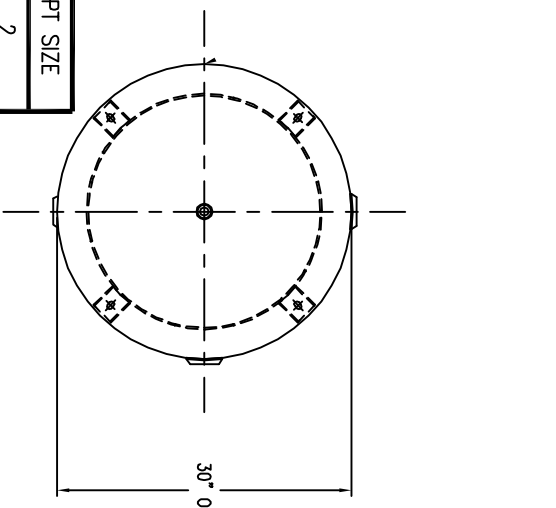



CODE/ADDENDUM \_\_\_\_\_ APPROVED \_\_\_\_\_  
 RELEASED FOR PRODUCTION  
 Q.C. \_\_\_\_\_ DATE \_\_\_\_\_



| FIND NO. | NPT SIZE |
|----------|----------|
| F1       | 2        |
| F2       | 1        |
| F3       | 1/2      |
| F4       | 1/4      |
| F5       | 1-1/2    |
| F6       | 2        |
| F7       | 1        |

| SYM | DATE | BY  | REVISION | APP | NOTES |
|-----|------|-----|----------|-----|-------|
| A   |      | ECB |          | TA  |       |
| B   |      | CDH |          | JR  |       |
| C   |      | JC  |          | AMA |       |
| D   |      | JC  |          | JC  |       |
| E   |      | JC  |          | JC  |       |

| SPECIFICATIONS                                  |                          |
|---|--------------------------|
| O.D.: 30  | LGTH: 84                 |
| MAWP: 300 PSI @ 400° F                          | HD: MAT'L:               |
| RT MDMT: F @ 300 PSI                            | GAL: 240                 |
| EXMT:   | WT: 850 #                |
| X-RAY:  | CU.FT.: 31.1             |
| CRN# F1629.123456                               | CODE: ASME / NB          |
|   | PER DATE OF DWG/LAST REV |
| WELD DETAILS M-1932                             |                          |
| STD. TOLERANCES (UNLESS OTHERWISE NOTED) M-2461 |                          |



**MANCHESTER**

VERTICAL AIR RECEIVER  
240 GALLON

SCALE: NONE  
DRAWING NO. 302429

|          |      |                    |
|----------|------|--------------------|
| DRAWN BY | DATE | SCALE: NONE        |
| APP. BY  | DATE | DRAWING NO. 302429 |

REF 283008400260  
3189