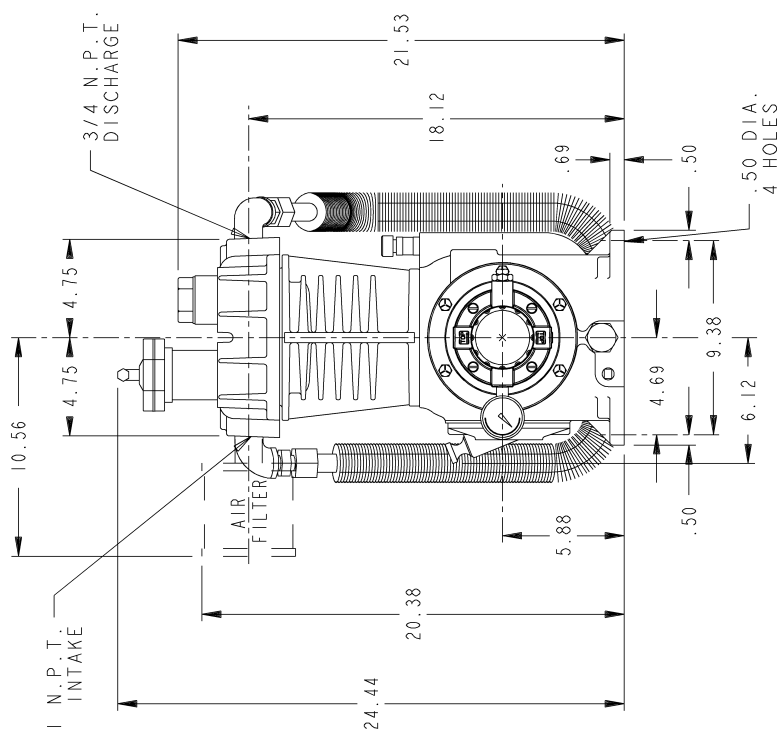
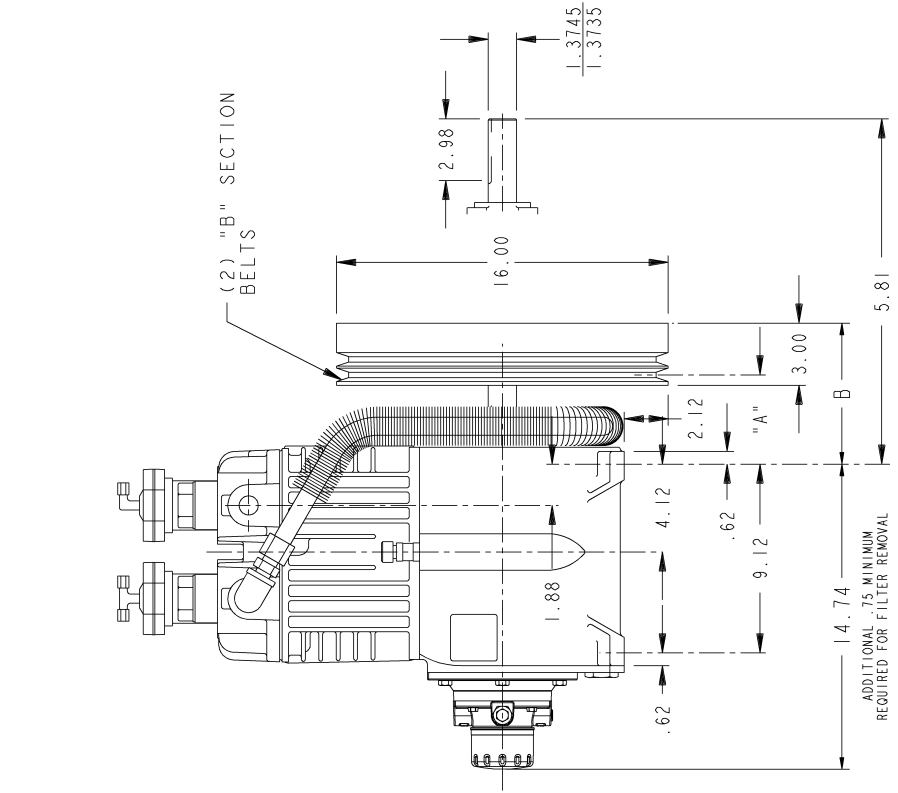


REVISIONS			
ZONE	SYM	DESCRIPTION	DATE
		1) MIGRATED TO PRO-E	
	D	2) REVISED BEARING CARRIER ASSEMBLY	5/12 GLH



SHEAVE	ROTATION*	A	B
110472 (STANDARD)	CCW	4.31	6.81
110473 (OPTIONAL)	CW	4.31	6.81

* FACING SHEAVE

SHEAVE IS ADJUSTABLE - A/B DIMENSIONS +/- .25

ALL DIMENSIONS ARE GIVEN IN INCHES.
325 BASIC IS A PRESSURE LUBRICATED COMPRESSOR.

REFERENCE ONLY UNLESS SIGNED AND DATED BELOW
CERTIFIED BY:

DATE:

DR: _____ DATE: _____
 CR: _____ DATE: _____
 APP: _____ DATE: _____
 DATE ADDED: _____
 APP: _____

TITLE: DIMENSIONAL AIR COOLED 325 TMO STAGE COMPRESSOR
 SCALE: 1/2" = 1"
 SHEET 1 OF 1

Quincy Compressor Quincy Valve Equipment

THIS MATERIAL IS CONSIDERED TO BE PROPERTY OF QUINCY COMPRESSOR AND OTHER PARTS INFORMATION IS FOR INFORMATION ONLY. NO PARTS OR MATERIALS ARE TO BE USED FOR REPRODUCTION OR REPAIR OF ANY QUINCY COMPRESSOR WITHOUT THE WRITTEN CONSENT OF AN OFFICER OF QUINCY COMPRESSOR.