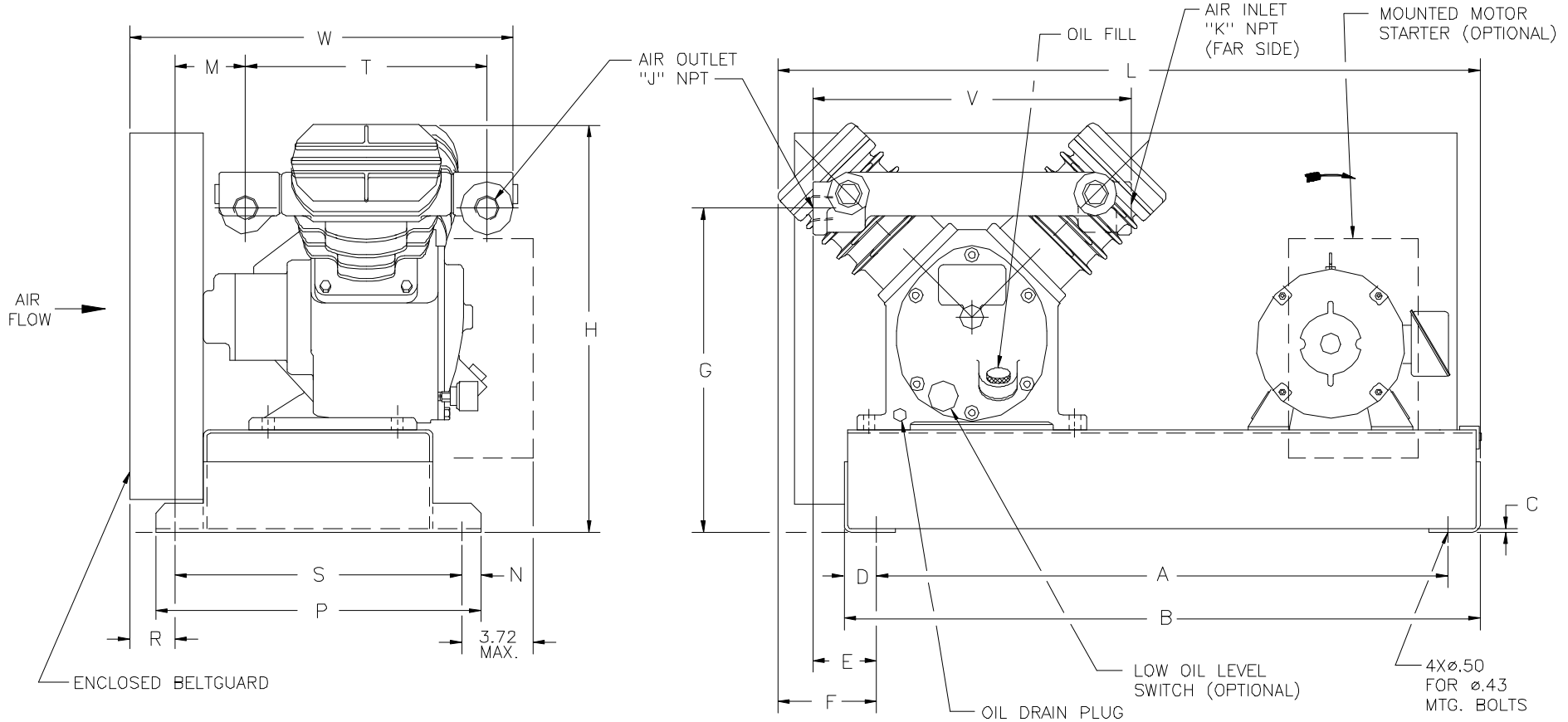


000202000 ON 3MG

NOTES:

1. FOUNDATION OR FLOOR MUST BE LEVEL AND SUPPORT ALL FEET EQUALLY; IF NECESSARY SHIM OR GROUT THE FOURTH FOOT.
2. THE COMPRESSOR ARRANGEMENT BELOW IS SHOWN WITH THE MAJOR ACCESSORY ITEMS. ADDITIONAL ACCESSORY ITEMS ARE AVAILABLE, BUT WILL NOT INCREASE EXISTING DIMENSIONS UNLESS OTHERWISE NOTED.
3. FOUNDATION BOLTS SHOULD PROJECT THRU NUTS AT LEAST 1/2" TO ALLOW FOR LEVELING.
4. ALLOW AT LEAST 12.00 CLEARANCE MIN. ON ALL SIDES FOR PROPER AIR CIRCULATION.
5. ALL UNSPECIFIED TOLERANCES:  
 XXX = ±.12  
 XX = ±.25  
 X = ±.50



MODEL	NET WEIGHT	DIMENSIONS																						
		A	B	C	D	E	F	G	H	J	K	L	M	N	P	R	S	T	V	W				
V235X1	275	29.500	32.87	.18	1.68	2.19	4.68	15.07	19.9	1"	1"	35.9	1.70	1.00	16.00	4.81	14.000	10.73	14.39	16.4				
V244X2	450	29.500	32.87	.18	1.68	3.34	6.18	16.66	22.1	1-1/4'	1-1/4'	37.4	2.37	1.00	16.00	4.81	14.000	13.87	16.69	23.1				
V255X3/5	500	30.000	33.38	.18	1.68	4.97	8.27	18.90	24.9	1-1/2'	1-1/2'	40.6	2.43	1.00	16.00	4.75	14.000	14.50	19.95	24.3				

APPROVED FOR:		SIZE: _____	JOB: _____ SPEC: _____	<small>PROPRIETARY NOTICE</small> THIS DOCUMENT CONTAINS CONFIDENTIAL AND TRADE SECRET INFORMATION, IS THE PROPERTY OF INGERSOLL-RAND COMPANY, AND IS LOANED TO THE RECEIVER IN CONFIDENCE. THE RECEIVER BY RECEIPT AND RETENTION OF THIS DOCUMENT ACCEPTS THE CONFIDENCE AND AGREES THAT, EXCEPT AS AUTHORIZED IN WRITING BY INGERSOLL-RAND COMPANY, IT WILL: (1) NOT USE THE DOCUMENT OR ANY COPY THEREOF OR THE CONFIDENTIAL OR TRADE SECRET INFORMATION THEREIN; (2) NOT COPY THE DOCUMENT; (3) NOT DISCLOSE TO OTHERS EITHER THE DOCUMENT OR THE CONFIDENTIAL OR TRADE SECRET INFORMATION THEREIN; AND (4) UPON COMPLETION OF THE NEED TO RETAIN THE DOCUMENT, OR UPON DEMAND, RETURN THE DOCUMENT, ALL COPIES THEREOF, AND ALL MATERIAL COPIED THEREFROM. <small>Copyright © 1992 Ingersoll-Rand Company All Rights Reserved</small>		<small>THIRD ANGLE PROJECTION</small> SCALE 1/4" = 1" DATE 7/2/90 DRAWN G.D.LEVI CHECKED JS 8/13/90 DSN, APP GF ENGR, APP GF		<b>INGERSOLL-RAND Co.</b> RECIPROCATING COMPRESSOR DIVISION SMALL COMPRESSOR BUSINESS UNIT CAMPBELLVILLE, KY	
IR ORDER NO. _____	CUSTOMER: _____	MODEL: _____	ITEM: _____ CONTRACTOR: _____	ARCH.ENGR.: _____ MTR. H.P.: _____ MTR. ENCL.: _____ MTR. VOLTS: _____ PH: _____ HZ: _____ STARTER TYPE: _____		REF. _____ TITLE GENERAL ARRANGEMENT SIZE C DWG NO. GA5202000 REV 01			
CUSTOMER ORDER NO. _____	PER: _____ DATE: _____	SPEED RPM: _____					SHEET 1 OF 1		