



Model	Voltage	Hz	HP		SCFM	Pressure		Vacuum		Noise Level	Net Weight		Percent	
			6.1	4.6		mbar	"H2O	mbar	"H2O		kg	lbs	Eff	Pf
RBH63-601-3	3	▶	60	4.6	230	380	153	380	153	79 db(A)	69	152	87.5	84.38
			50	4	190	380	153	360	145	75 db(A)	69	152	NR	NR
RBH63-805-3	3	▶	60	6.3	230	540	217	425	171	79 db(A)	72	159	86.5	93.6
			50	5.5	190	520	209	420	169	75 db(A)	72	159	NR	NR
RBH63-1105-3	3	▶	60	8.5	230	675	271	450	180	79 db(A)	75	165	89.5	91.03
			50	7.5	190	590	237	440	177	75 db(A)	75	165	NR	NR

Refer to curves below for detailed performance data. Performance data and product specifications are subject to change without prior notice. Actual performance may vary by ±10%. Eff = Efficiency Pf = Power Factor NA = Not Applicable *Efficiency and power factor only applies to 3/60/460 models NR= Not required

NEW STANDARD FEATURES EC IE3 & DOE EISA

Each All-Star blower is now delivering High Efficiency Performance without increased cost or extended deliveries. **How and Why?**



EC IE3 and DOE EISA regulations allow exceptions in their harmonized efficiency standards for certain types of motors. All-Star motors meet the Definite Purpose Partial Motors exceptions, therefore All-Star motors are exempt to these two regulations.

Secondly, All-Star is the only blower company to manufacture their own motors in-house. All-Star three phase motors from 1 to 30 horsepower have been redesigned to high efficiency without increasing your price.

Beside the high efficiency performance, All-Star motors provide major features that extend the life and service above all of our competitors. For example, All-Star motors include Class H motor insulation rated 365° F; blower end bearing lubrication is rated 536° F; and the internal seal is rated 500° F - *all standard - and without added cost.*

For more information, visit All-Star at www.all-star-usa.com



Registered and approved by one or more of these standards agency
 CE ISO 9001: 8000 RoHS Compliant cULus

Note: To obtain warranty protection, a properly set relief valve and an air filter must be installed.

Features

- IP 54 TEFC 2 pole squirrel cage ac motor
- 40 Deg C ambient
- Class H insulation 1.15 service factor
- Performance tested ANSI/AMCA210-85
- Quite Duty - below OSHA sound level
- High Efficiency Design

Voltage

- 1 = 1/60/115/230 & 1/50/220
- 2 = 1/60/50/230
- 3 = 3/60/208-230/460 3/50/220/380
- 5 = 3/60/575 available from stock without additional cost

Recommended Accessories

Relief Valve

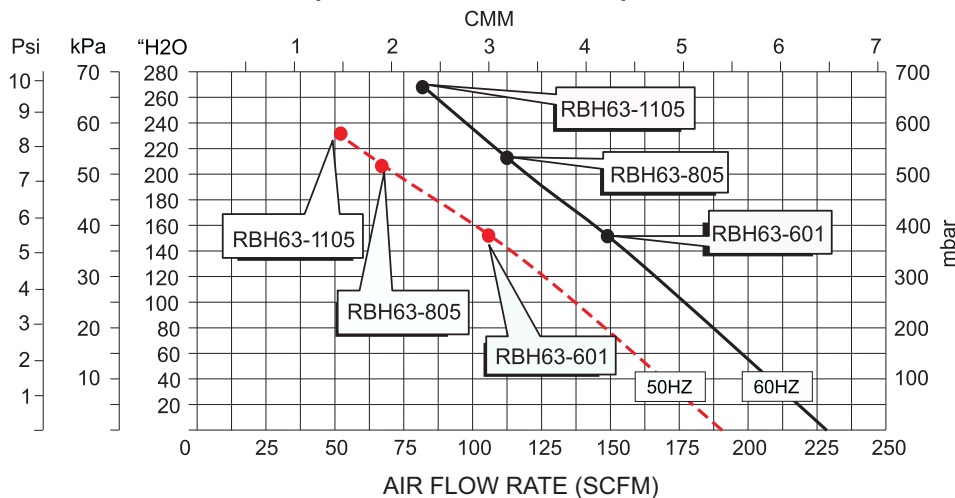
- Pressure RVA-02
- Vacuum RVA-02

Filter

- Pressure F231P-200
- Vacuum CSL 851-200HC

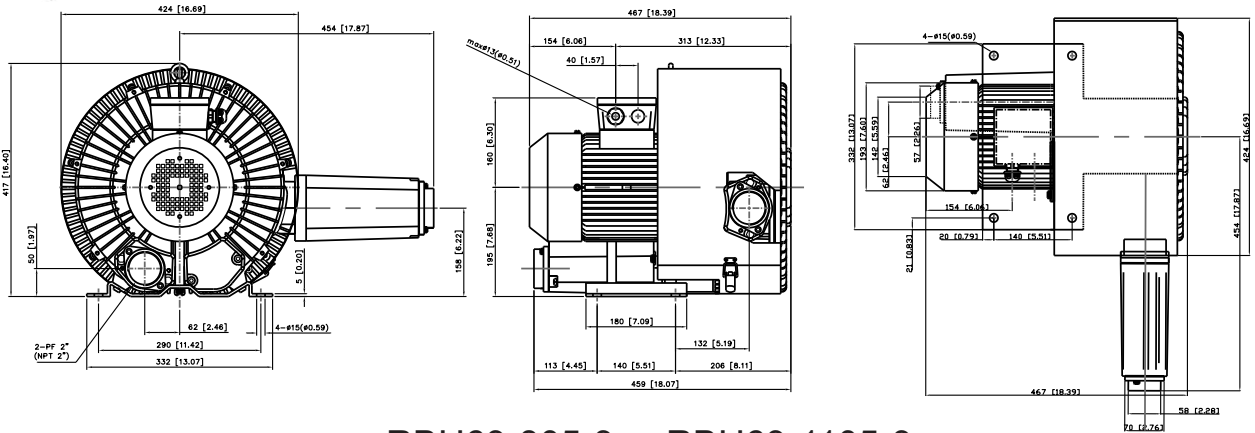
PRESSURE DATA CURVES ±10%

[See reverse side for Vacuum Curves]



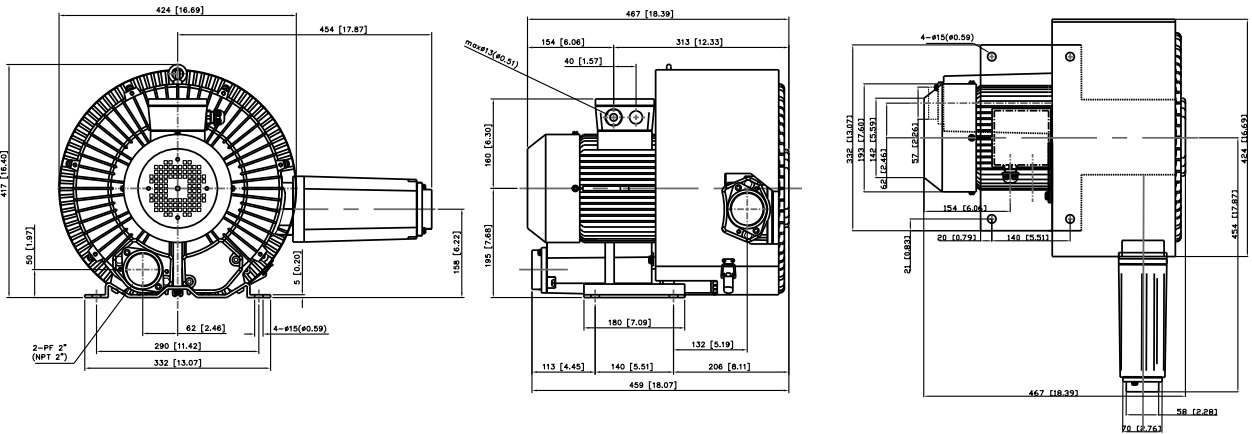


RBH63-601-3
 Assembly "A"
 Discharge Silencer Position

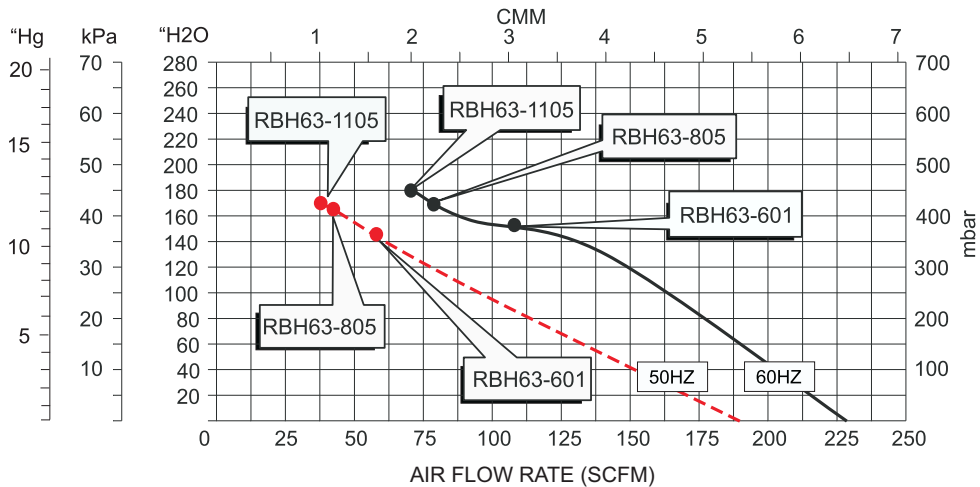


RBH63-805-3 RBH63-1105-3

Assembly "A"
 Discharge Silencer Position

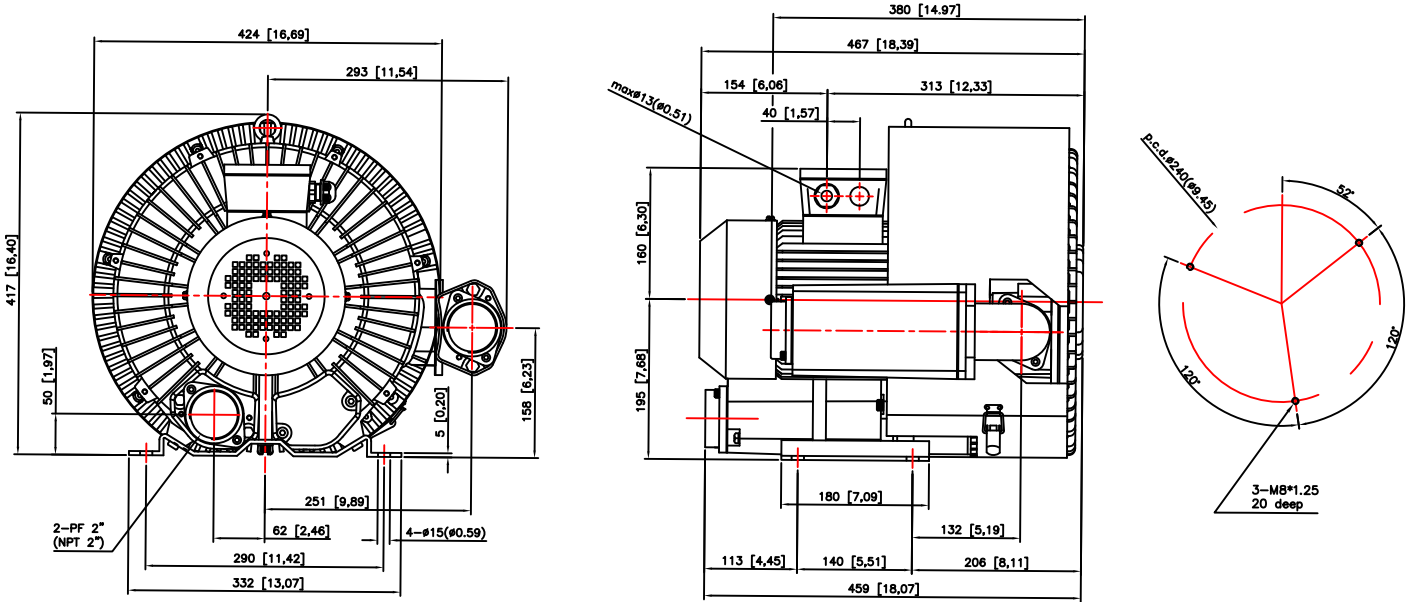


VACUUM DATA CURVES





RBH63-601-3
 Assembly "B"
 Discharge Silencer Position



RBH63-805-3 RBH63-1105-3
 Assembly "B"
 Discharge Silencer Position

