



AWS Series Water Separator

Integrating into Aircel's compressed air filter range, the new Aircel Water Separator AWS Series combines proven centrifugal technology with a new forward-thinking housing to deliver market-leading water removal efficiencies - eliminating 99% of bulk water with continuously low differential pressure.

The custom engineered centrifugal module features unique vanes to eliminate points of low efficiency, and a vortex arrestor to stop re-entrainment - ensuring minimal operating pressure loss and maintaining excellent liquid removal, even at low velocities.

No replacement components are required, making Aircel's water separators a viable and cost effective solution for removing bulk water from compressed air.



Unique Centrifugal Module

Removes 99% of bulk water even at low velocities



Externally Accessible Drain Valve

Eliminates the need to access inside the filter housing when servicing the drain



Modular Construction

Low cost connecting kits and new filter head design enables easy close coupling assembly

- **Energy Saving** · Water separators operate with consistently low differential pressure at 50-60 mbar, reducing both energy consumption and operating costs
- **Flexible Installation** · Modular design and accessible fixings enable simple close coupling assembly
- **Cost Effective** · No replacement components required
- **NEW Externally Accessible Drain Valve** · Drain valve can be removed externally on larger models, without having to gain access to the internal of the filter. Simply unscrew from the bottom of the filter and remove
- **Product Safety in Mind** · Guaranteed safe housing closure with rotational safety stop
- **Corrosion Protection** · Internal and external electrophoretic painting followed by a tough polyester powder coating

Removes 99% of bulk water when tested in accordance with ISO 12500-4

Contact Your Aircel Distributor or Visit:

AircelDryers.com

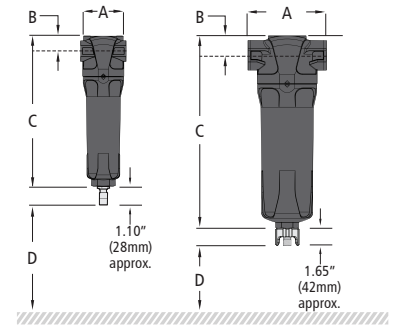
for more information



Model Number	Capacity	Connection (NPT)	Weight (lbs)	A	B	C	D
AWS-6	6	1/8"	0.55	1.97	0.67	6.18	2.36
AWS-15	15	1/4"	0.55	1.97	0.67	6.18	2.36
AWS-25	25	1/4"	1.32	2.76	0.94	9.09	2.76
AWS-35	35	3/8"	1.32	2.76	0.94	9.09	2.76
AWS-50	50	1/2"	1.32	2.76	0.94	9.09	2.76
AWS-70	70	1/2"	3.75	5	1.26	11.2	3.15
AWS-125	125	3/4"	3.75	5	1.26	11.2	3.15
AWS-175	175	1"	3.75	5	1.26	11.2	3.15
AWS-280	280	1-1/4"	10.8	6.69	2.09	20	3.94
AWS-400	400	1-1/2"	10.8	6.69	2.09	20	3.94
AWS-700	700	2"	10.8	6.69	2.09	20	3.94
AWS-850	850	2-1/2"	17.6	8.66	2.76	16.5	3.94
AWS-1500	1,500	3"	17.6	8.66	2.76	16.5	3.94

NOTES:

Rated flow at 7 barg, reference conditions at 1 bar (a) 68 °F



Typical Performance

