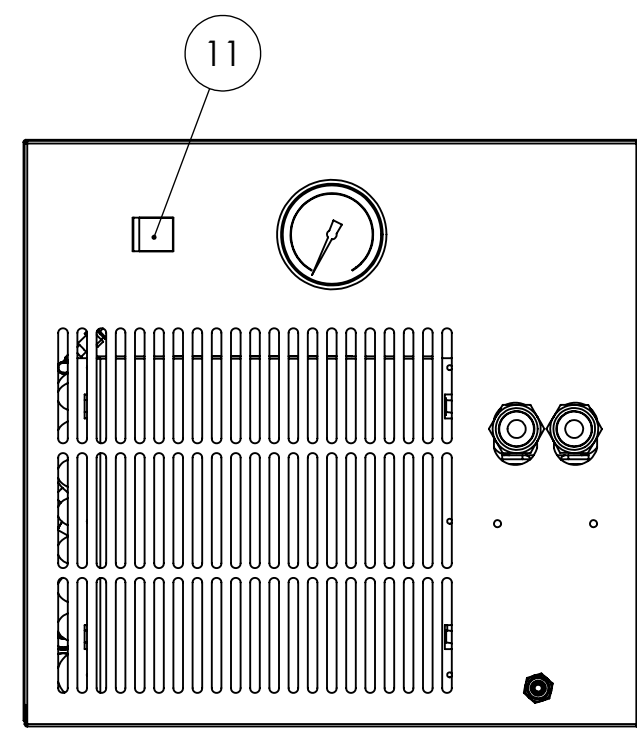


| ITEM NO. | QTY. | STOCK # | Description |
|----------|------|-----------|---------------------------|
| 1 | 1 | AG3942090 | COMPRESSOR, 1/3 HP |
| 2 | 1 | AG3942091 | FAN MOTOR |
| 3 | 1 | AG3941902 | FAN BLADES |
| 4 | 1 | AG3481329 | FAN CYCLE SWITCH |
| 5 | 1 | AG3368601 | VALVE, SCHRADER |
| 6 | 1 | AG3105701 | CONSTANT PRESSURE VALVE |
| 7 | 1 | AG3481058 | HEAT EXCHANGER |
| 8 | 1 | AG3480088 | GAUGE, SUCTION, PRESSURE |
| 9 | 1 | AG3020601 | TIMER DRAIN |
| 10 | 1 | AG3942092 | FILTER-DRIER |
| 11 | 1 | AG3103601 | SWITCH DOUBLE POLE 20 AMP |
| 12 | 1 | AG3942088 | PROTECTOR |
| 13 | 1 | AG3942093 | RELAY |
| 14 | 1 | AG3480501 | START CAPACITOR |



UNLESS OTHERWISE SPECIFIED:
 DIMENSIONS ARE IN INCHES
 TOLERANCES:
 FRACTIONAL ± 0.125
 ANGULAR: ± 0.5°
 TWO PLACE DECIMAL ± .03
 THREE PLACE DECIMAL ± .003

THIRD ANGLE PROJECTION

MATERIAL

FINISH

DO NOT SCALE DRAWING

| | NAME | DATE |
|-----------|------|---------|
| DRAWN | BH | 7/29/15 |
| CHECKED | J.J. | 7/29/15 |
| ENG APPR. | | |
| MFG APPR. | | |
| Q.A. | | |
| COMMENTS: | | |

Aircel COMPRESSED AIR AND GAS PRODUCTS
 323 CRISP CIRCLE
 MARYVILLE TENNESSEE 37801
 PHONE: 865-681-7066
 FAX: 865-681-7069

TITLE: DRYER, REFRIGERATED, VF-50 SPARE PARTS

| | | |
|---------------------|-----------------------|-----------------|
| SIZE B | DWG. NO. AG3022501 | REV 1 |
| SCALE: 1:10 WEIGHT: | | SHEET 1 OF 1 |

PROPRIETARY AND CONFIDENTIAL
 THE INFORMATION CONTAINED IN THIS DRAWING IS THE SOLE PROPERTY OF AIRCEL LLC. ANY REPRODUCTION IN PART OR AS A WHOLE WITHOUT THE WRITTEN PERMISSION OF AIRCEL LLC IS PROHIBITED.