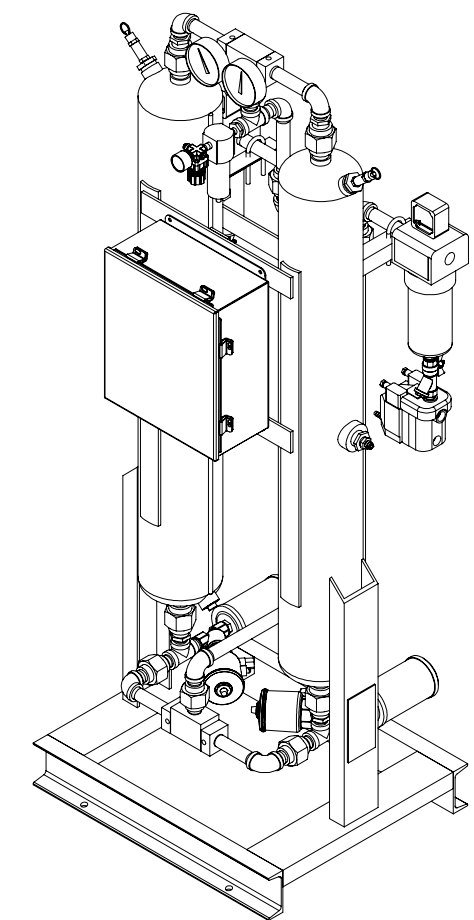


ITEM NO	QTY	DESCRIPTION
1	2	DESICCANT VESSEL
2	1	INLET SHUTTLE VALVE
3	1	OUTLET SHUTTLE VALVE
4	2	PURGE EXHAUST VALVE
5	2	EXHAUST MUFFLER
6	2	PRESSURE GAUGE
7	2	PRESSURE RELIEF VALVE
8	2	EMS SENSOR PROBE
9	1	ELECTRICAL ENCLOSURE
10	1	PRE-FILTER
11	1	AFTER FILTER
12	1	ZERO-LOSS DRAIN



UNLESS OTHERWISE SPECIFIED:
 DIMENSIONS ARE IN INCHES
 TOLERANCES:
 FRACTIONAL ± 0.125
 ANGULAR: ± 0.5°
 TWO PLACE DECIMAL ± .03
 THREE PLACE DECIMAL ± .003

THIRD ANGLE PROJECTION

MATERIAL

FINISH

DO NOT SCALE DRAWING

PROPRIETARY AND CONFIDENTIAL
 THE INFORMATION CONTAINED IN THIS DRAWING IS THE SOLE PROPERTY OF AIRCEL LLC. ANY REPRODUCTION IN PART OR AS A WHOLE WITHOUT THE WRITTEN PERMISSION OF AIRCEL LLC IS PROHIBITED.

	NAME	DATE
DRAWN	O.P.	6/10/15
CHECKED		
ENG APPR.		
MFG APPR.		
Q.A.		
COMMENTS:		

Aircel COMPRESSED AIR AND GAS PRODUCTS
 323 CRISP CIRCLE
 MARYVILLE TENNESSEE 37801
 PHONE: 865-681-7066
 FAX: 865-681-7069

TITLE: DRYER, DESICC, AHLD-70, PACK B, 1 PRE & AFTER FILTER; 200 PSIG, 100F, T6

SIZE B	DWG. NO. AG9932540-B	REV 5
SCALE: 1:20	WEIGHT:	SHEET 1 OF 1