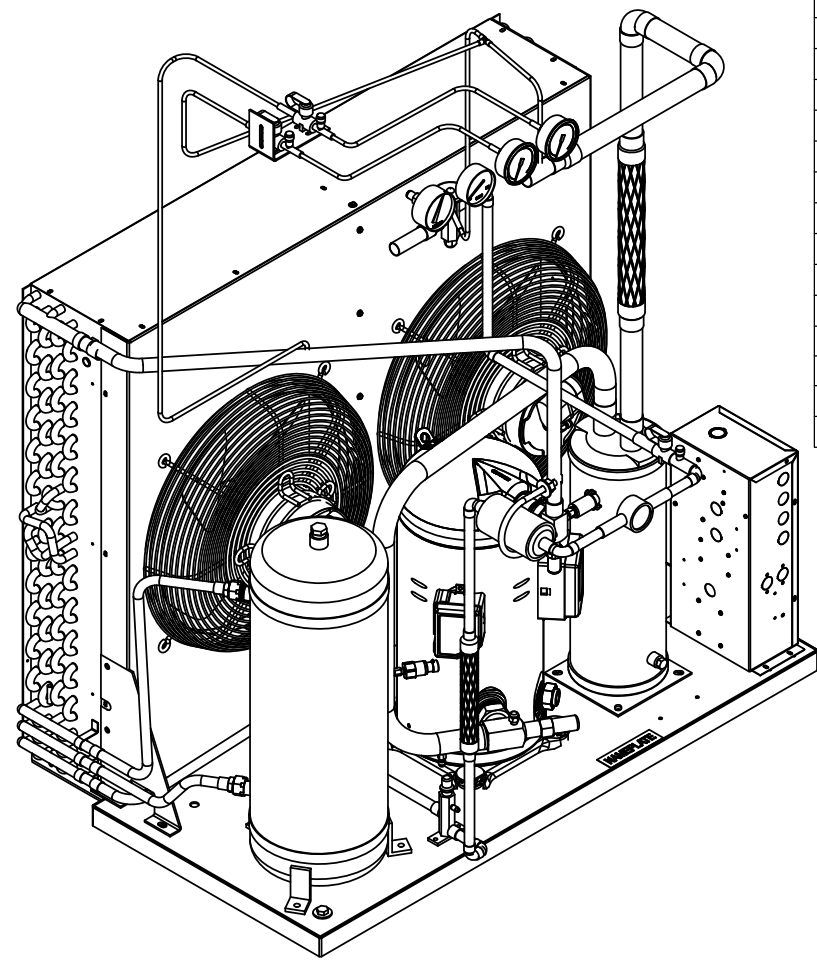
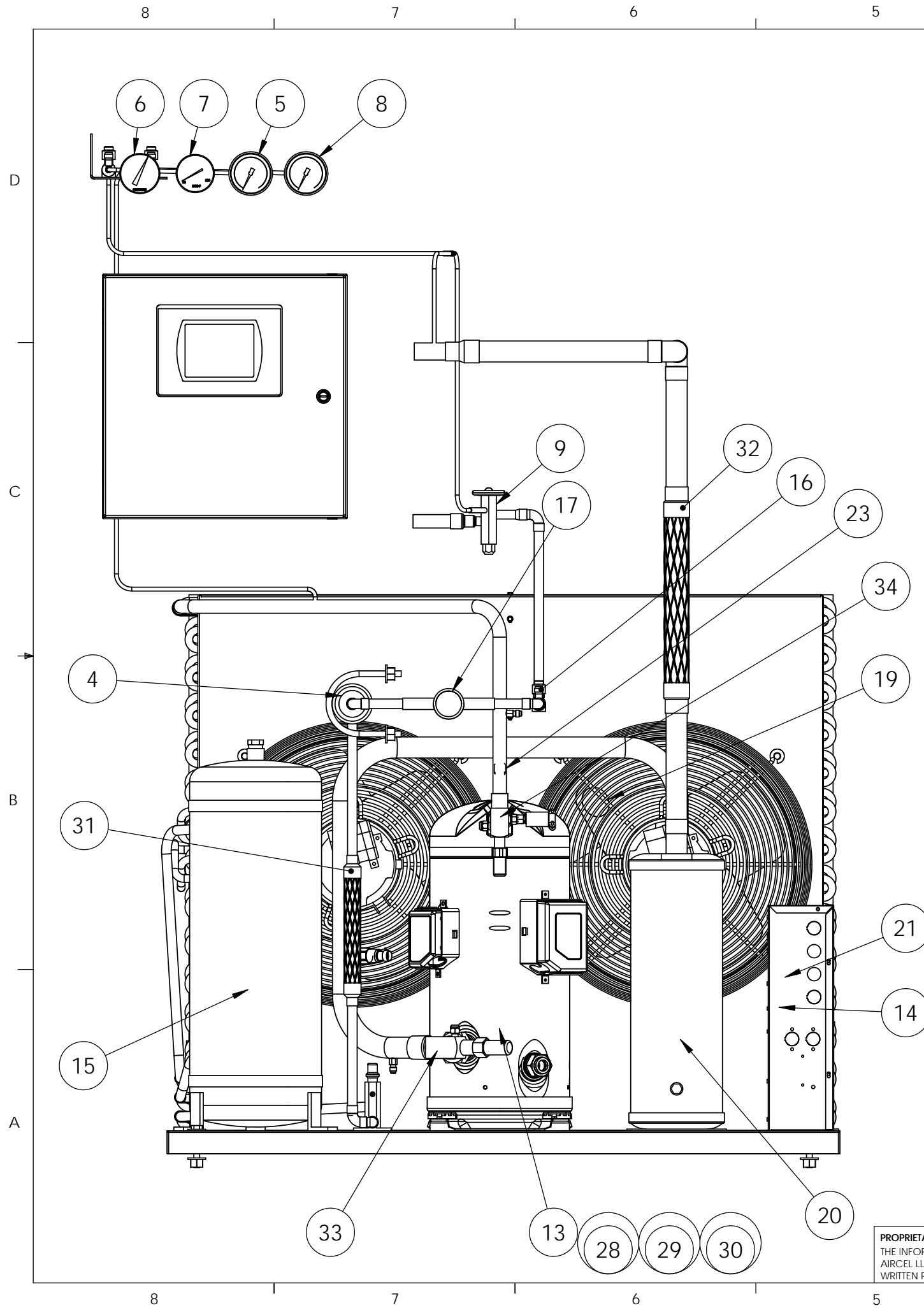


ITEM	QTY.	STOCK #	Description
1	1	AG3998885	HEAT EXCHANGER, AIR-TO-AIR
2	1	AG3998884	HEAT EXCHANGER, AIR-TO-REFRIG
3	1	AG3486149	MOISTURE SEPARATOR
4	1	AG3109201	LIQUID LINE FILTER
5	1	AG3480088	GAUGE, SUCTION, PRESSURE
6	1	AG3480087	GAUGE, AIR INLET PRESSURE
7	1	AG3112001	TEMP GAUGE
8	1	AG3480217	GAUGE, DISCHARGE PRESSURE
9	1	AG3939980	THERMAL EXPANSION VALVE
10	2	AG3939988	CONDENSATE DRAIN
11	2	AG3942303	VALVE, BALL-Y-STRAINER COMBO
12	2	AG3935103	VALVE, BALL, REFRIGERATION
13	1	AG3942065	COMPRESSOR, 7.5 HP
14	1	AG3941963	TRANSFORMER-CONTROL
15	1	AG3942023	TANK-LIQUID REC
16	1	AG3940175	VALVE, BALL, REFRIGERATION, LIQUID LINE
17	1	AG3480825	MOISTURE INDICATOR
18	1	AG3100406	FAN MOTOR
19	1	AG3104503	FAN BLADES
20	1	AG3942014	TANK-ACCUMULATOR
21	1	AG3480520	CONTACTOR KIT
22	1	AG3480283	HEATER-CRANKCASE
23	1	AG3942046	DISCHARGE LINE THERMISTOR
24	1	AG3942064	PERFORMANCE ALERT
25	1	AG3942047	RELAY
26	1	AG3941958	PROTECTOR
27	1	AG3942072	HP SAFETY SWITCH
28	1	AG3942052	SOLENOID VALVE
29	1	AG3942049	SOLENOID COIL
30	1	AG3934651	SOLENOID VALVE COIL KIT
31	1	AG3935645	SS VIBRATION ABSORBER
32	1	AG3940189	SS VIBRATION ABSORBER
33	1	AG3236801	SUCTION VALVE
34	1	AG3482438	DISCHARGE VALVE

FOR ELECTRICAL SPARE/SERVICE PARTS LIST
SEE ELECTRICAL DRAWING

UNLESS OTHERWISE SPECIFIED:		NAME	DATE	 COMPRESSED AIR AND GAS PRODUCTS 323 CRISP CIRCLE MARYVILLE TENNESSEE 37801 PHONE: 865-681-7066 FAX: 865-681-7069
DIMENSIONS ARE IN INCHES TOLERANCES: FRACTIONAL ± 0.125 ANGULAR: ± 0.5° TWO PLACE DECIMAL ± .03 THREE PLACE DECIMAL ± .003		DRAWN	O.P.	
 THIRD ANGLE PROJECTION		CHECKED	J.J.	01/18/17
		ENG APPR.		
		MFG APPR.		
MATERIAL		Q.A.		
FINISH		COMMENTS:		TITLE:
DO NOT SCALE DRAWING				AES-1500, REFRIGERATED AIR DRYER, 1500 SCFM, 100 PSIG, 100F, SPARE PARTS
		SIZE	DWG. NO.	REV
		B	AG9999720	0
		SCALE: 1:50	WEIGHT:	SHEET 1 OF 2

PROPRIETARY AND CONFIDENTIAL
THE INFORMATION CONTAINED IN THIS DRAWING IS THE SOLE PROPERTY OF AIRCEL LLC. ANY REPRODUCTION IN PART OR AS A WHOLE WITHOUT THE WRITTEN PERMISSION OF AIRCEL LLC IS PROHIBITED.



ITEM	QTY.	STOCK #	Description
1	1	AG3998885	HEAT EXCHANGER, AIR-TO-AIR
2	1	AG3998884	HEAT EXCHANGER, AIR-TO-REFRIG
3	1	AG3486149	MOISTURE SEPARATOR
4	1	AG3109201	LIQUID LINE FILTER
5	1	AG3480088	GAUGE, SUCTION, PRESSURE
6	1	AG3480087	GAUGE, AIR INLET PRESSURE
7	1	AG3112001	TEMP GAUGE
8	1	AG3480217	GAUGE, DISCHARGE PRESSURE
9	1	AG3939980	THERMAL EXPANSION VALVE
10	2	AG3939988	CONDENSATE DRAIN
11	2	AG3942303	VALVE, BALL-Y-STRAINER COMBO
12	2	AG3935103	VALVE, BALL, REFRIGERATION
13	1	AG3942065	COMPRESSOR, 7.5 HP
14	1	AG3941963	TRANSFORMER-CONTROL
15	1	AG3942023	TANK-LIQUID REC
16	1	AG3940175	VALVE, BALL, REFRIGERATION, LIQUID LINE
17	1	AG3480825	MOISTURE INDICATOR
18	1	AG3100406	FAN MOTOR
19	1	AG3104503	FAN BLADES
20	1	AG3942014	TANK-ACCUMULATOR
21	1	AG3480520	CONTACTOR KIT
22	1	AG3480283	HEATER-CRANKCASE
23	1	AG3942046	DISCHARGE LINE THERMISTOR
24	1	AG3942064	PERFORMANCE ALERT
25	1	AG3942047	RELAY
26	1	AG3941958	PROTECTOR
27	1	AG3942072	HP SAFETY SWITCH
28	1	AG3942052	SOLENOID VALVE
29	1	AG3942049	SOLENOID COIL
30	1	AG3934651	SOLENOID VALVE COIL KIT
31	1	AG3935645	SS VIBRATION ABSORBER
32	1	AG3940189	SS VIBRATION ABSORBER
33	1	AG3236801	SUCTION VALVE
34	1	AG3482438	DISCHARGE VALVE

UNLESS OTHERWISE SPECIFIED:
 DIMENSIONS ARE IN INCHES
 TOLERANCES:
 FRACTIONAL ± 0.125
 ANGULAR: ±0.5°
 TWO PLACE DECIMAL ± .03
 THREE PLACE DECIMAL ± .003

THIRD ANGLE PROJECTION
 MATERIAL
 FINISH
 DO NOT SCALE DRAWING

	NAME	DATE
DRAWN	O.P.	01/18/17
CHECKED	J.J.	01/18/17
ENG APPR.		
MFG APPR.		
Q.A.		
COMMENTS:		

Aircel COMPRESSED AIR AND GAS PRODUCTS
 323 CRISP CIRCLE
 MARYVILLE TENNESSEE 37801
 PHONE: 865-681-7066
 FAX: 865-681-7069

TITLE: AES-1500, REFRIGERATED AIR DRYER, 1500 SCFM, 100 PSIG, 100F, SPARE PARTS

SIZE	DWG. NO.	REV
B	AG9999720	0

SCALE: 1:50 WEIGHT: SHEET 2 OF 2

PROPRIETARY AND CONFIDENTIAL
 THE INFORMATION CONTAINED IN THIS DRAWING IS THE SOLE PROPERTY OF AIRCEL LLC. ANY REPRODUCTION IN PART OR AS A WHOLE WITHOUT THE WRITTEN PERMISSION OF AIRCEL LLC IS PROHIBITED.