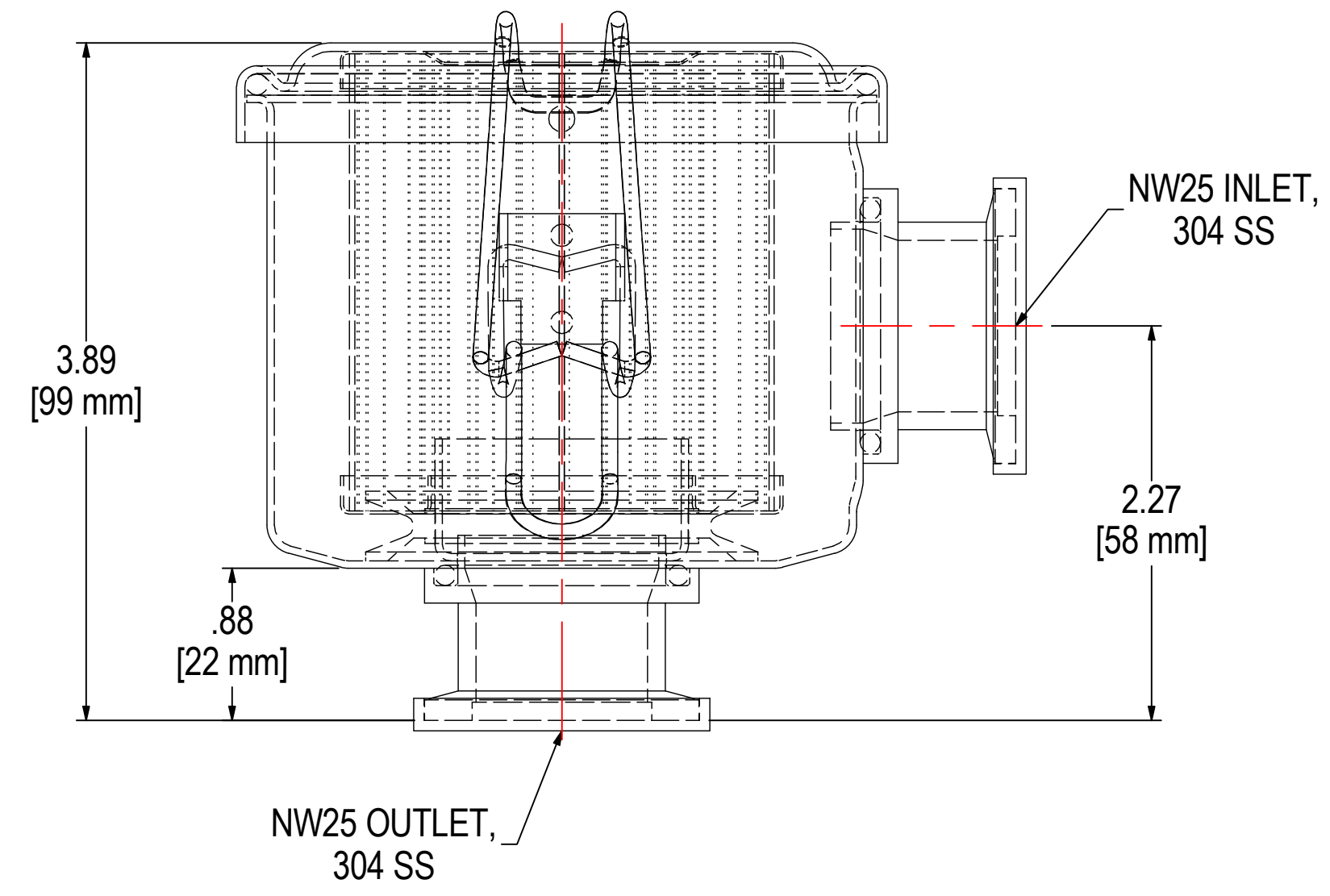
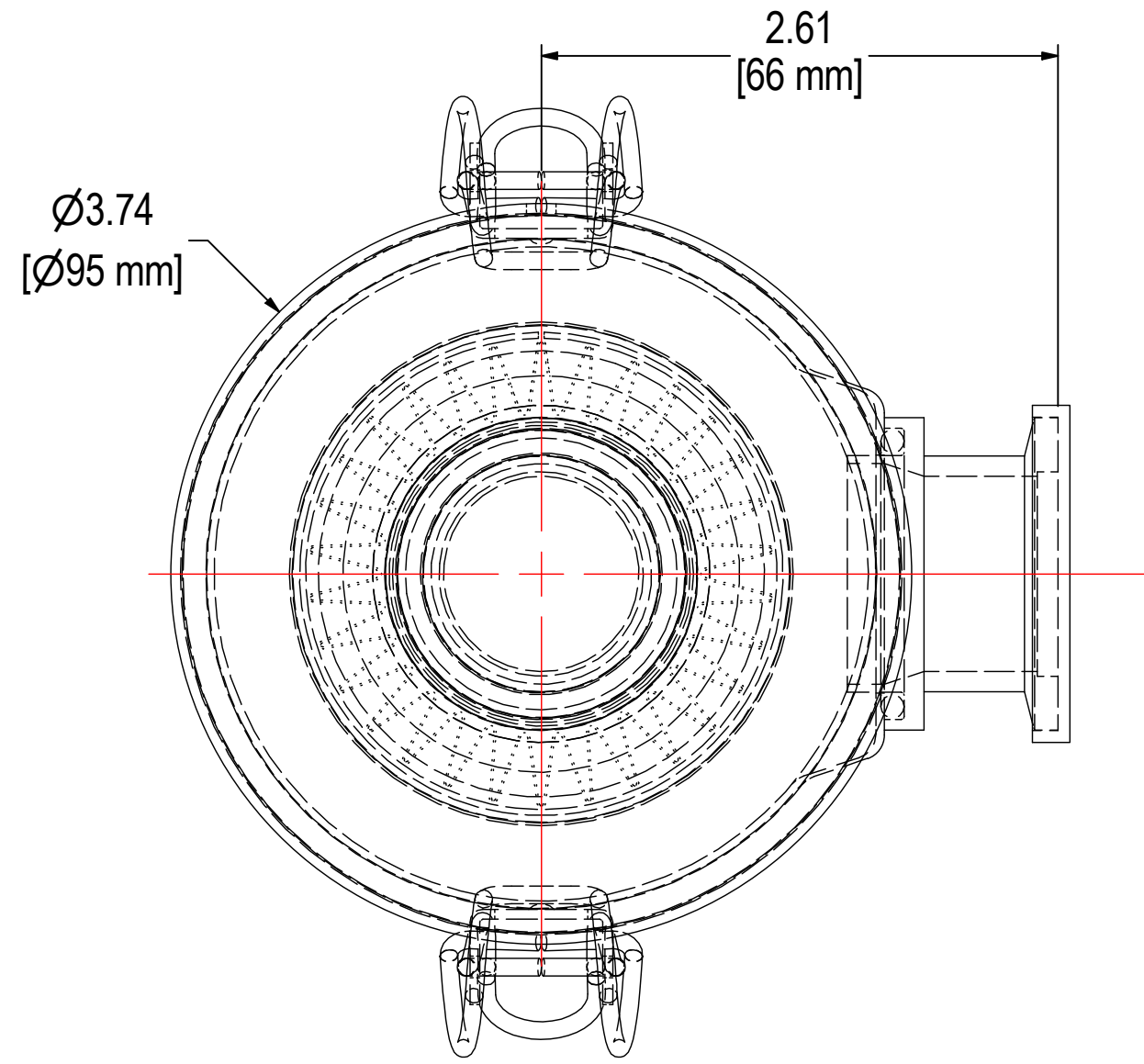


REV	DESCRIPTION	ECN #	CHG BY	DATE	APP'D
A	CONVERTED TO 3D/UPDATED PART NUMBER, WAS CSL	15527	EZR	02/13/19	TAS



NOTES & SPECIFICATIONS:

1. FLANGES TO BE PROTECTED DURING PRODUCTION & SHIPMENT.
2. UNIT TO BE HELIUM LEAK TESTED TO 1×10^{-5} mbar L/s.

ELEMENT SPECS		
PART NUMBER	825	
MATERIAL	Polyester	
FLOW RATE	25 CFM	42 m ³ /hr
SURFACE AREA	0.4 ft ²	0.0 m ²
I.D.	1.50"	38mm
O.D.	2.50"	64mm
HEIGHT	2.69"	68mm

MODEL #: WL-825-NW25B	MATERIAL: CARBON STEEL	FINISH: BLACK POWDER	SHEET: 1 OF 1
MODEL NUMBER: WL-825-NW25B		DESCRIPTION: WL-825-NW25B, BLACK	
PROJECT: SD18206	DRAWN BY: JCB	APPROVED BY: MJC	REV: A
	DATE: 5/24/2012	DATE: 5/24/2012	

THE INFORMATION CONTAINED HEREIN IS CONFIDENTIAL AND THE PROPERTY OF SOLBERG MANUFACTURING INC. AND IT IS FURNISHED TO YOU WITH THE EXPRESS UNDERSTANDING THAT IT WILL NOT BE REPRODUCED, COPIED IN ANY MANNER, LOANED OR OTHERWISE TRANSFERRED TO OTHERS ENTIRELY OR IN PART, NOR USED FOR ANY PURPOSE OTHER THAN FOR WHICH IT WAS FURNISHED. IT WILL BE RETURNED UPON REQUEST TO SOLBERG MANUFACTURING INC. THE ABOVE RESTRICTION IS IN ADDITION TO, AND DOES NOT IN ANY WAY ALTER, ANY OTHER RESTRICTIONS WHICH MAY APPLY TO THE INFORMATION CONTAINED HEREIN.

TOLERANCES
DIMENSIONS ARE FOR REFERENCE ONLY. ALL DIMENSIONS ARE SUBJECT TO CHANGE UPON PRODUCTION.
UNLESS OTHERWISE SPECIFIED:
 -DIMENSIONS ARE IN INCHES
 -REF: APPROXIMATE DIMENSIONS, NO TOLERANCES APPLY
 -FINISH: BREAK EDGES TO .005-.020 RADIUS/CHAMFER