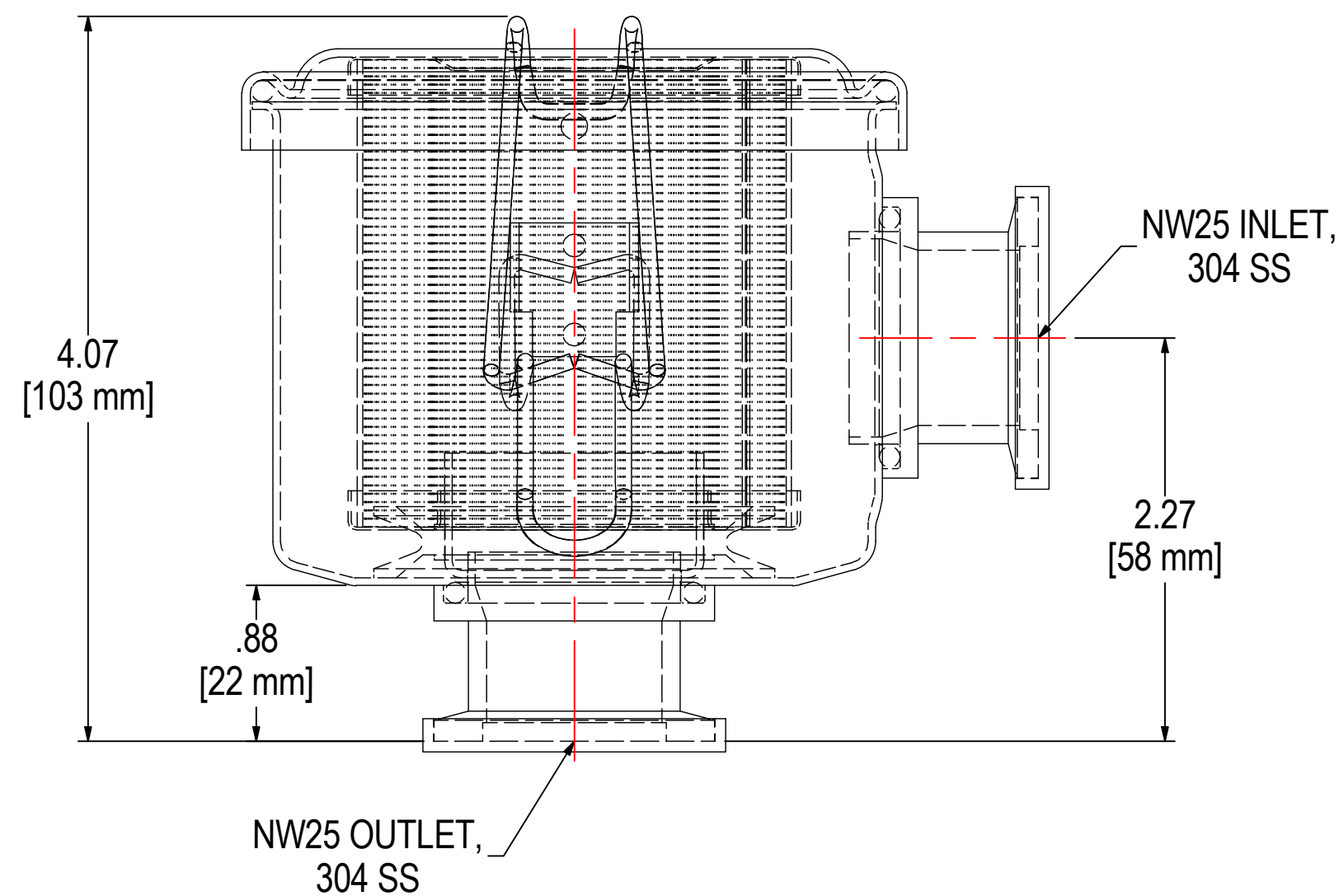
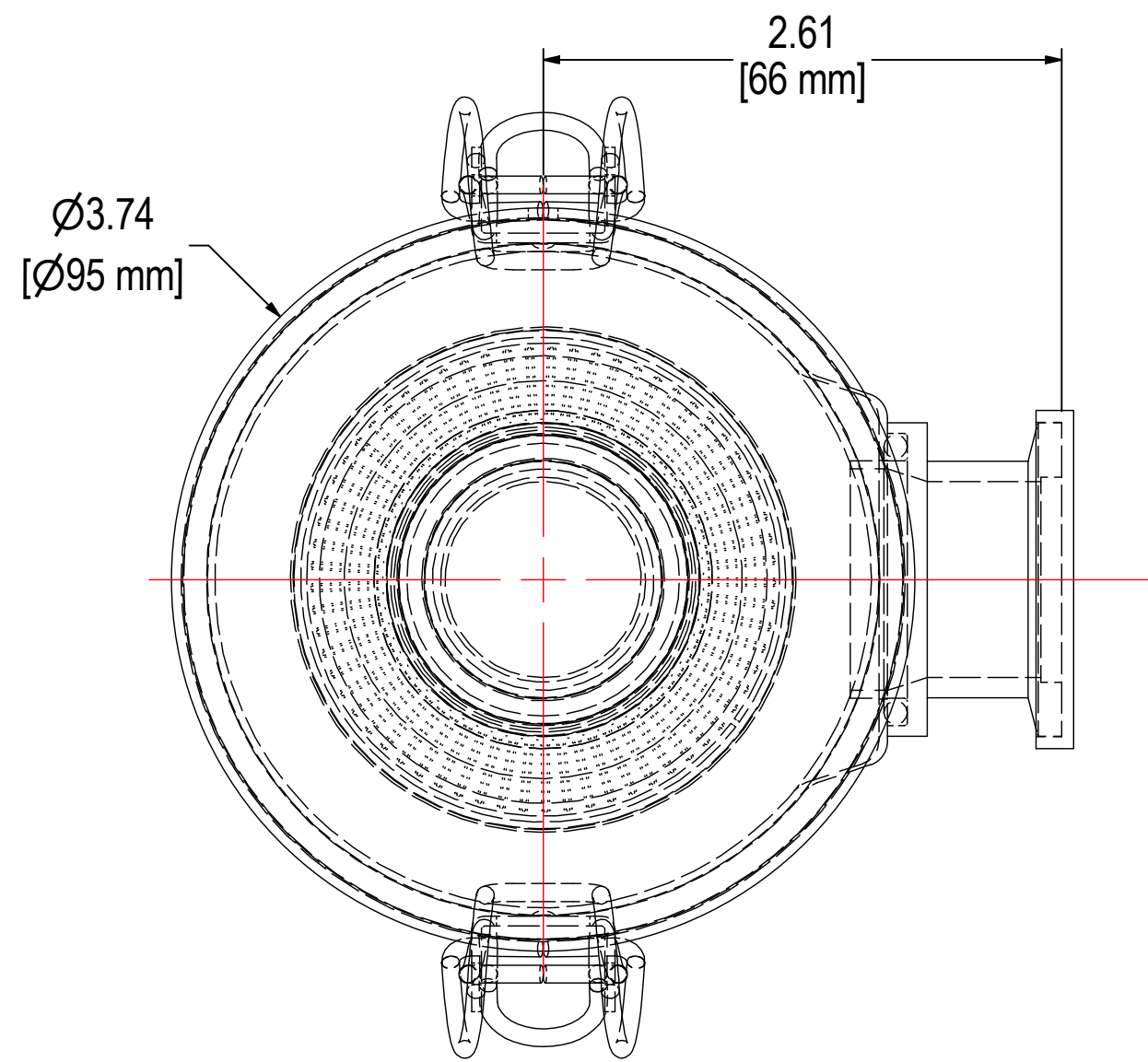


REV	DESCRIPTION	ECN #	CHG BY	DATE	APP'D
A	CONVERTED TO 3D	-	CRW	02/03/16	MJC
B	UPDATED PART NUMBER, WAS CSL	17295	EZR	09/26/19	TAS



NOTES & SPECIFICATIONS:

1. FLANGES TO BE PROTECTED DURING PRODUCTION & SHIPMENT.
2. UNIT TO BE HELIUM LEAK TESTED TO 1×10^{-5} mbar L/s.

ELEMENT SPECS	
PART NUMBER	824
MATERIAL	PAPER
FLOW RATE	25 CFM 42 m ³ /hr
SURFACE AREA	0.8 ft ² 0.1 m ²
I.D.	1.50" 38mm
O.D.	2.54" 65mm
HEIGHT	2.65" 67mm

MODEL #: WL-824-NW25B	MATERIAL: CARBON STEEL	FINISH: BLACK POWDER	SHEET: 1 OF 1
MODEL NUMBER: WL-824-NW25B		DESCRIPTION: WL-824-NW25B, BLACK	
PROJECT: SD19005	DRAWN BY: CRW DATE: 2/11/2014	APPROVED BY: MJC DATE: 2/11/2014	REV: B