



AIR N ARC 300 GAS

-  AIR COMPRESSOR
-  GENERATOR
-  WELDER
-  BATTERY BOOST
-  BATTERY CHARGE

Increase Your Efficiency, Increase Your Productivity, Increase Your Profitability, With One System

The Air N Arc® 300 system, provides more efficient use of your truck bed and reduces cost by combining five power sources - rotary screw on-demand air compressor, 7 kW generator, 300 AMP welder, battery booster and battery charger - into one single unit. Designed as a true two generator system, the Air N Arc® 300 series allows multi-functioning such as welding and generator for lights for night time service.



SPECIFICATIONS	
Engine	26.5 HP Kohler®, Air Cooled
Air Compressor	Rotary Screw, 175 PSI, 40 CFM
Generator	7 kW Peak / 6.8 kW Continuous, AC Power, 60 Hz, Single Phase, 120V and 240V Outlets
Welder	High Frequency DC welding, 270 AMPS at 100% Duty Cycle CC: 40-300 AMPS Operating Range, CV: 15-30 Volts
Battery Charger/Booster	300 AMPS 12V/24V Boost, 50 AMP 12V Charge
Drive System	Belt Driven
Fuel Capacity	12 Gal. Integral Tank (Optional Remote Tank or Tied to Chassis)

Air N Arc® 300 Gas Unit Dimensions (In.):
 Foot Print (In.): 47.1L x 21.5W x 30.9H
 With Fittings (In.): 47.1L x 24.6W x 30.9H
 Dry Weight (Lbs.): 700

AIR NARC[®]

300 GAS

FEATURES

- True Two-Generator System for Safe Multi-Function of Welder and Electric Tools
- All the benefits of a High Frequency Welder offering Excellent Weld Characteristics
- 40 CFM Rotary Screw Compressor for Air on Demand and Extended Life of Unit
- Heavy Duty Belt Drive System for Anti-Vibration and Long Service Intervals
- Remote Mount Control Panel for the Ultimate in User Convenience
- Fuel System can be Integrated with the Chassis
- Integrated Lift Hook and Battery Tray
- Designed for Easy Maintenance
- Small Footprint - Will Fit on Side Pack or Behind Cab
- Powder Coated Sheet Metal
- Galvannealed Steel

AIR COMPRESSOR

- Encapsulated Rotary Screw Compressor for Air-On-Demand
- 40 CFM @ 150 PSI
- 175 Max PSI

WELDER

- High Frequency DC Welding
- 270 AMPs at 100% Duty Cycle
- CC Range 40 – 300 AMPs Operating Range
- CV Range 15 – 30 Volts
- Independent DC Welder
- Auto Speed Control
- CV MIG Capabilities

GENERATOR

- 7 kW Peak / 6.8 kW Continuous @ 60 Hz (Available In 5.7 kW Continuous Watts @ 50 Hz)
- Independent AC Generator
- Brushless Design
- Smooth Wave for Minimal Distortion
- Two-120V Outlets and One-240V Outlet

BATTERY BOOST/CHARGE

- 300 AMP 12V/24V Boost
- 50 AMP 12V Charge

COLD WEATHER PACKAGE

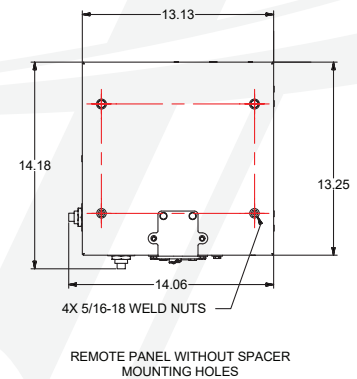
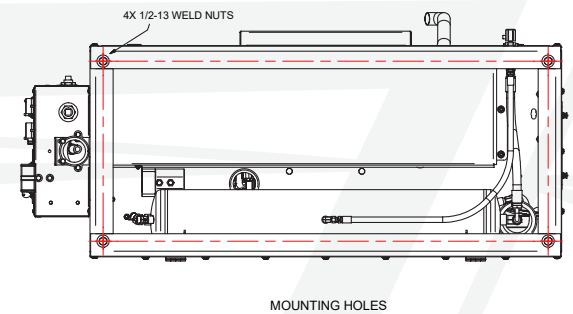
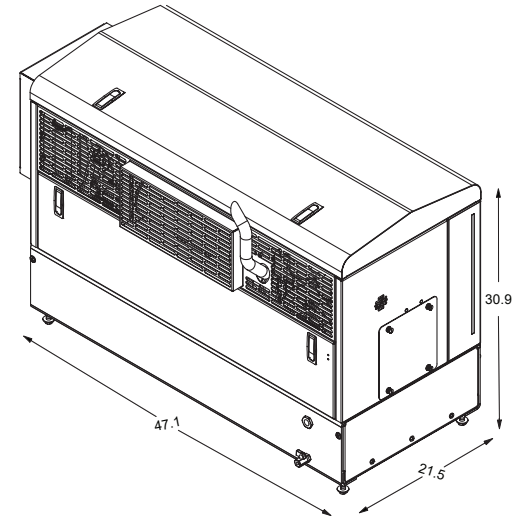
- Optional 12V Heaters

ENGINE

- 26.5 HP EFI Kohler, Air Cooled or 25 HP Kubota[®], Liquid Cooled
- Electric Start
- 12 Gal. Integral Tank
- Provides Power for Emergency and Safety Lights with Truck Engine Turned Off
- Tier 4 Emission Compliant
- Glow Plugs

OPTIONS/ACCESSORIES

- Welding Cables - 25', 50'
- Welding Helmet with Auto Darkening Lens
- Battery Booster Cables
- Cable Extension Segment
- Fuel Tank – Slimline 11 Gallon
- Remote Air Tank – 30 Gallon
- Remote Condensation Drain
- Maintenance Kits
- Welding Rods
- Cold Weather Kits
- GFCI Kit Available



Vanair reserves the right to make changes in engineering, design, and specifications; add improvements; or discontinue manufacturing at any time without notice or obligation. Vanair, the Vanair logo and MOBILE POWER SOLUTIONS are registered trademarks or trademarks of Vanair Manufacturing, Inc., Michigan City, IN, USA. © 2021 All Rights Reserved.



VAN AIR[®]
MOBILE POWER SOLUTIONS[®]

800.526.8817 | vanair.com

10896 West 300 North | Michigan City, Indiana 46360 USA



ANA300G_08032021_NML