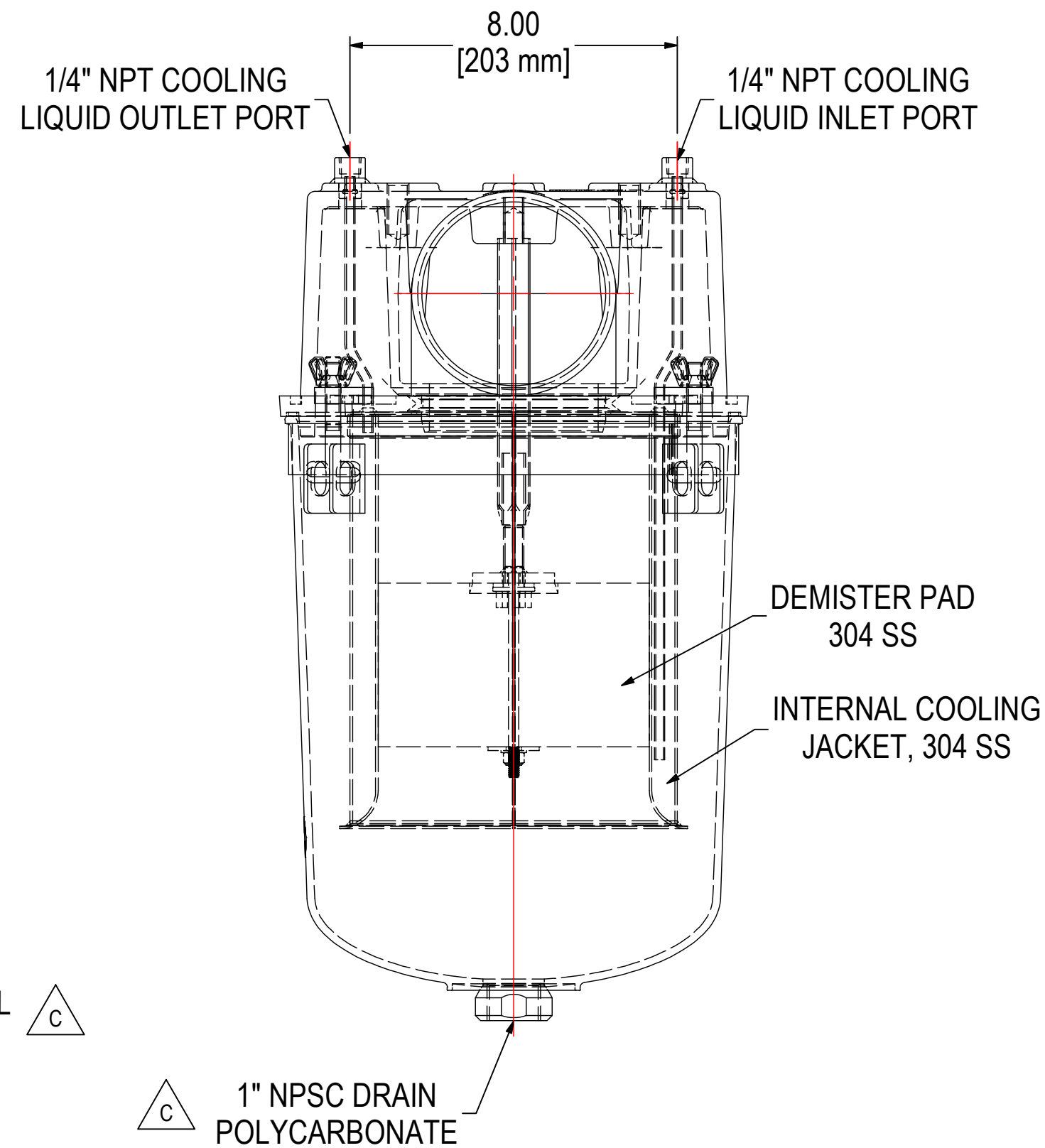
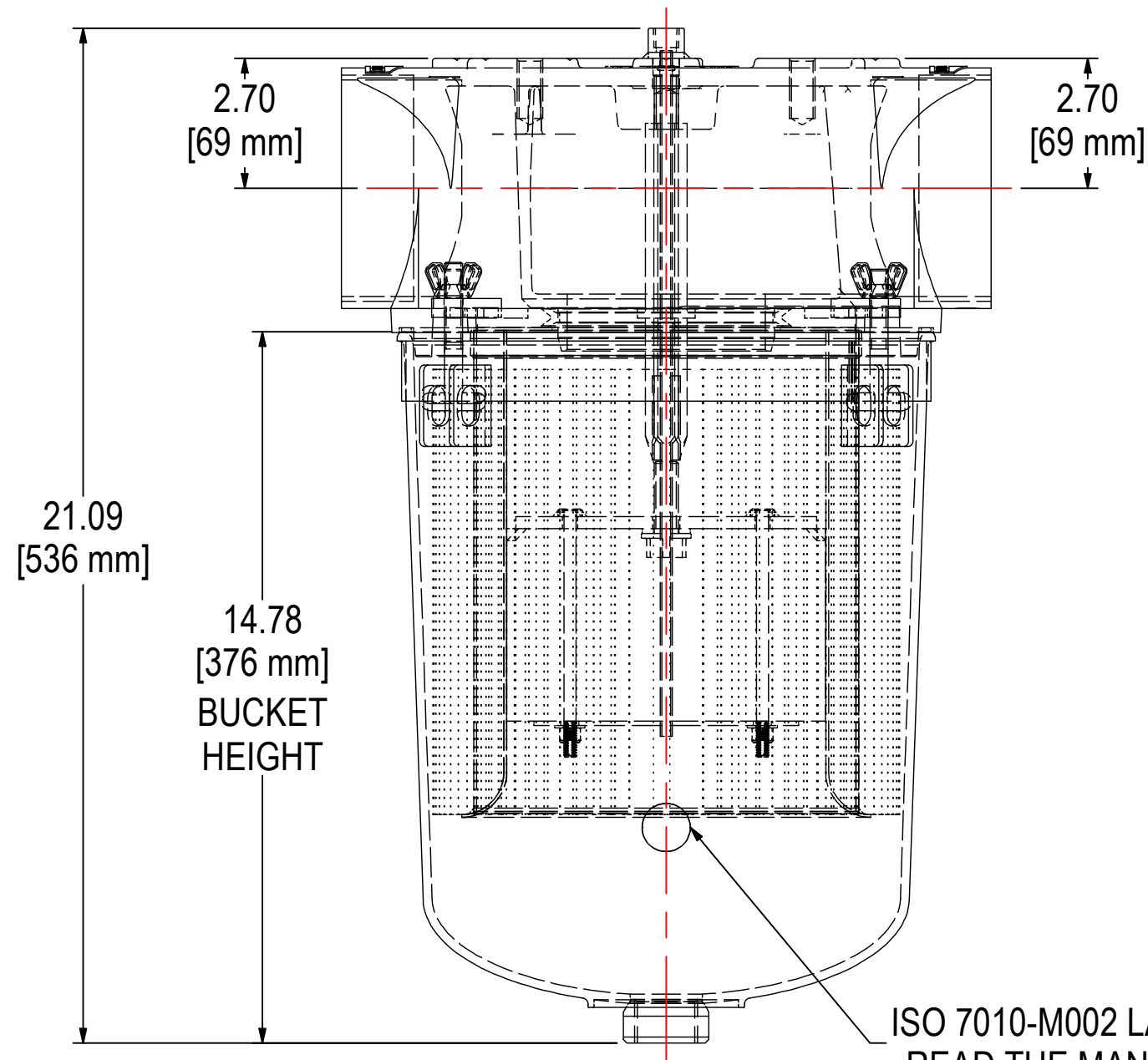
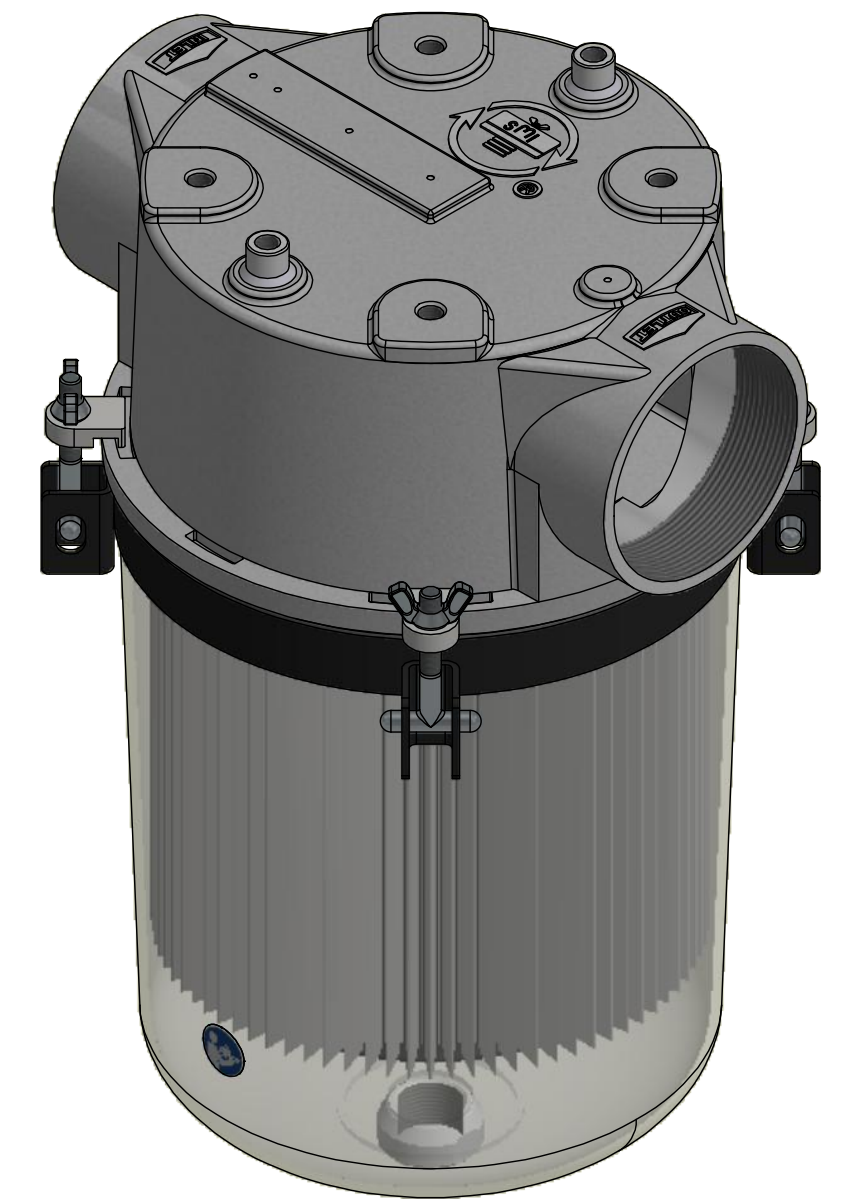
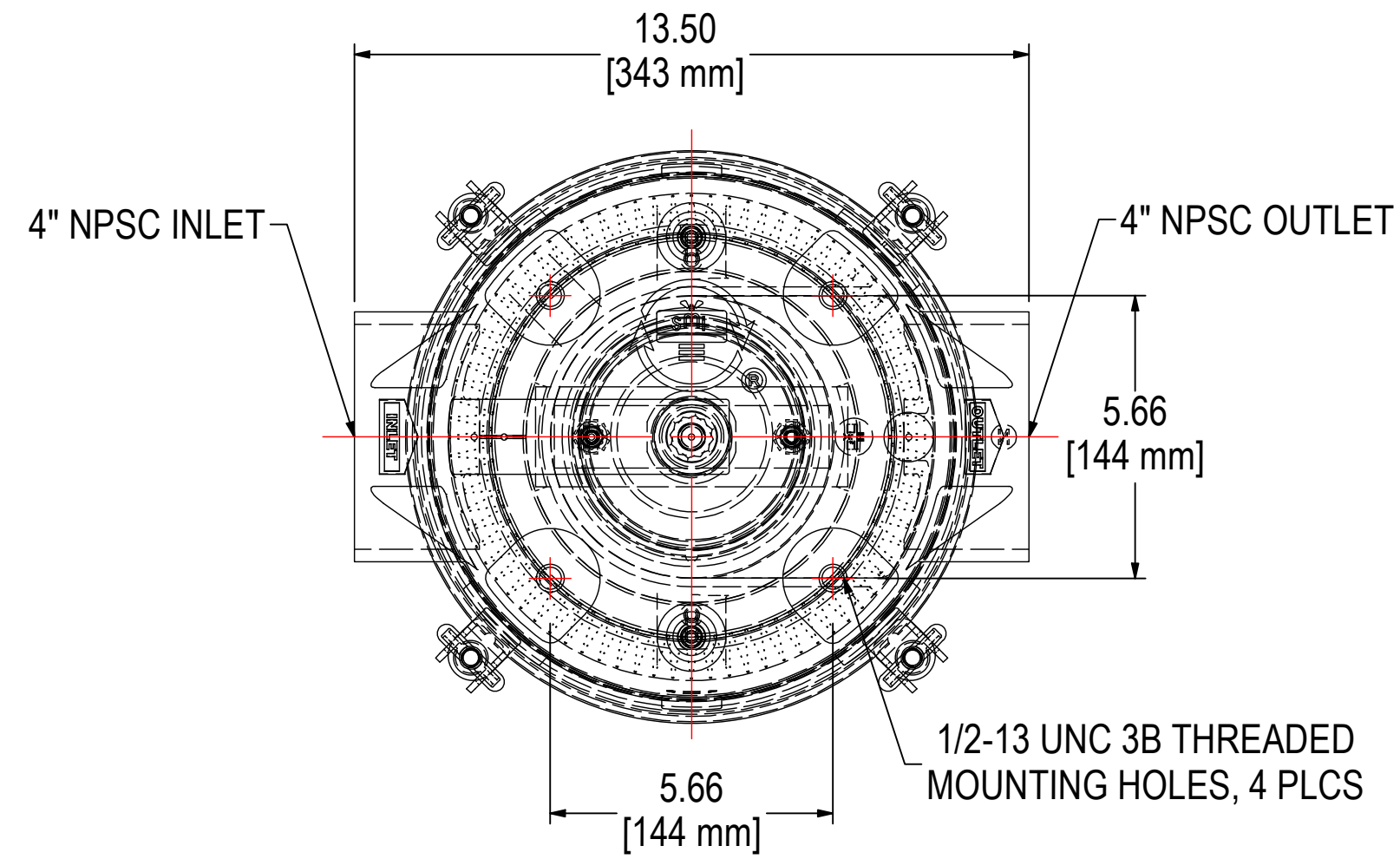


REV	DESCRIPTION	ECN #	CHG BY	DATE	APP'D
A	ADDED COOLING LIQUID PORT CALLOUTS	PRJ 347	TAS	03/09/16	CCS
B	UPDATED H2O INLET/OUTLET CALLOUTS	-	EZR	07/20/16	CRW
C	UPDATED DRAIN, WAS BULKHEAD FITTING	PRJ 676	EZR	05/14/21	TAS



NOTES & SPECIFICATIONS:
 1. UNIT FLOW RATE: 120 CFM (204 m³/hr)



THE INFORMATION CONTAINED HEREIN IS CONFIDENTIAL AND THE PROPERTY OF SOLBERG MANUFACTURING INC. AND IT IS FURNISHED TO YOU WITH THE EXPRESS UNDERSTANDING THAT IT WILL NOT BE REPRODUCED, COPIED IN ANY MANNER, LOANED OR OTHERWISE TRANSFERRED TO OTHERS ENTIRELY OR IN PART, NOR USED FOR ANY PURPOSE OTHER THAN FOR WHICH IT WAS FURNISHED. IT WILL BE RETURNED UPON REQUEST TO SOLBERG MANUFACTURING INC. THE ABOVE RESTRICTION IS IN ADDITION TO, AND DOES NOT IN ANY WAY ALTER, ANY OTHER RESTRICTIONS WHICH MAY APPLY TO THE INFORMATION CONTAINED HEREIN.

TOLERANCES
 DIMENSIONS ARE FOR REFERENCE ONLY. ALL DIMENSIONS ARE SUBJECT TO CHANGE UPON PRODUCTION.
 UNLESS OTHERWISE SPECIFIED:
 -DIMENSIONS ARE IN INCHES
 -REF: APPROXIMATE DIMENSIONS, NO TOLERANCES APPLY
 -FINISH: BREAK EDGES TO .005-.020 RADIUS/CHAMFER

MODEL #: JST-C2081-400C	MATERIAL: CAST ALUMINUM/PLASTIC	FINISH: NONE	SHEET: 1 OF 2
MODEL NUMBER: JST-C2081-400C	DESCRIPTION: JST-C2081-400C	PROJECT:	APPROVED BY: CRW
DRAWN BY: JCB	DATE: 12/15/2014	APPROVED BY: CRW	DATE: 12/15/2014