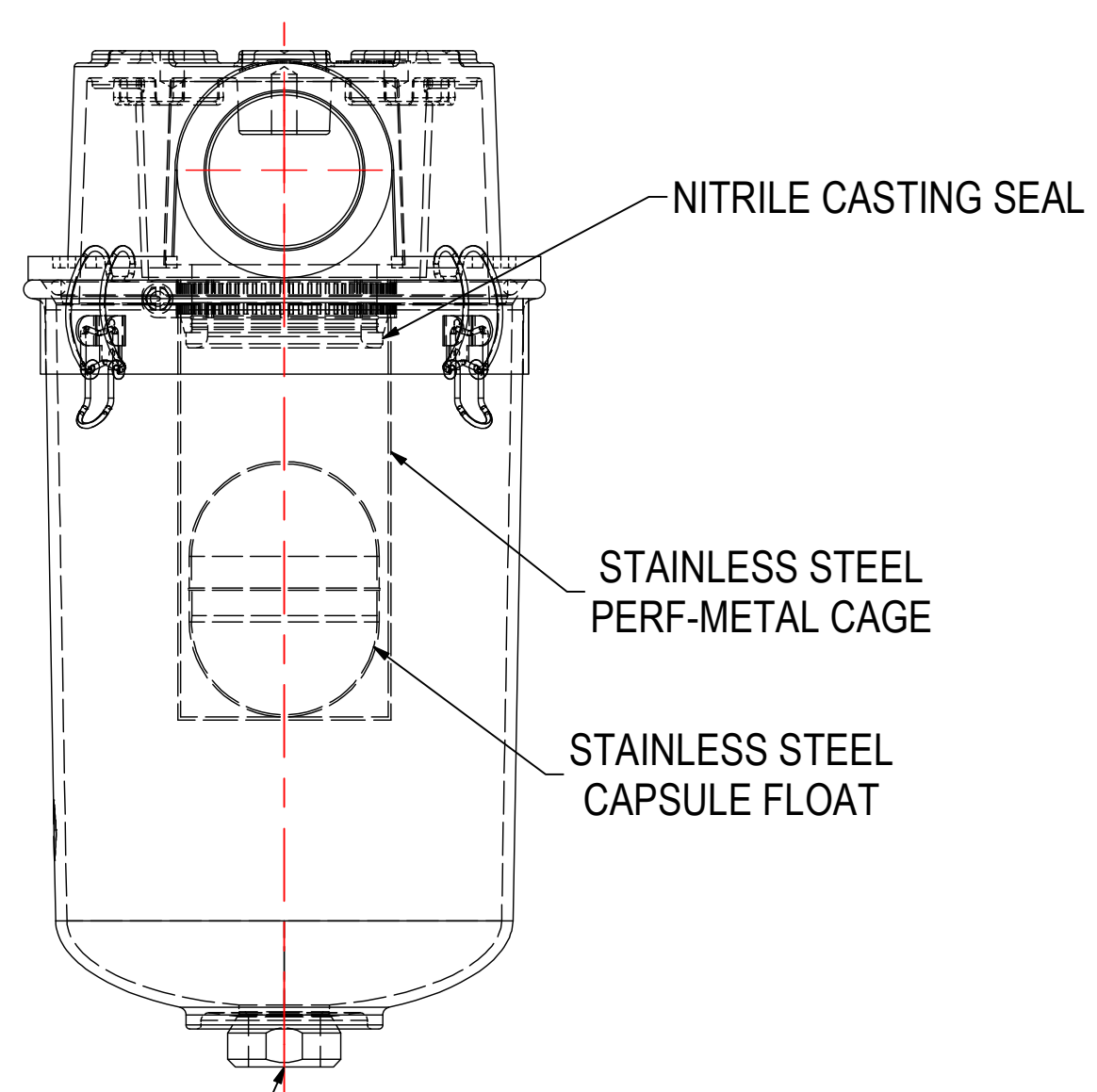
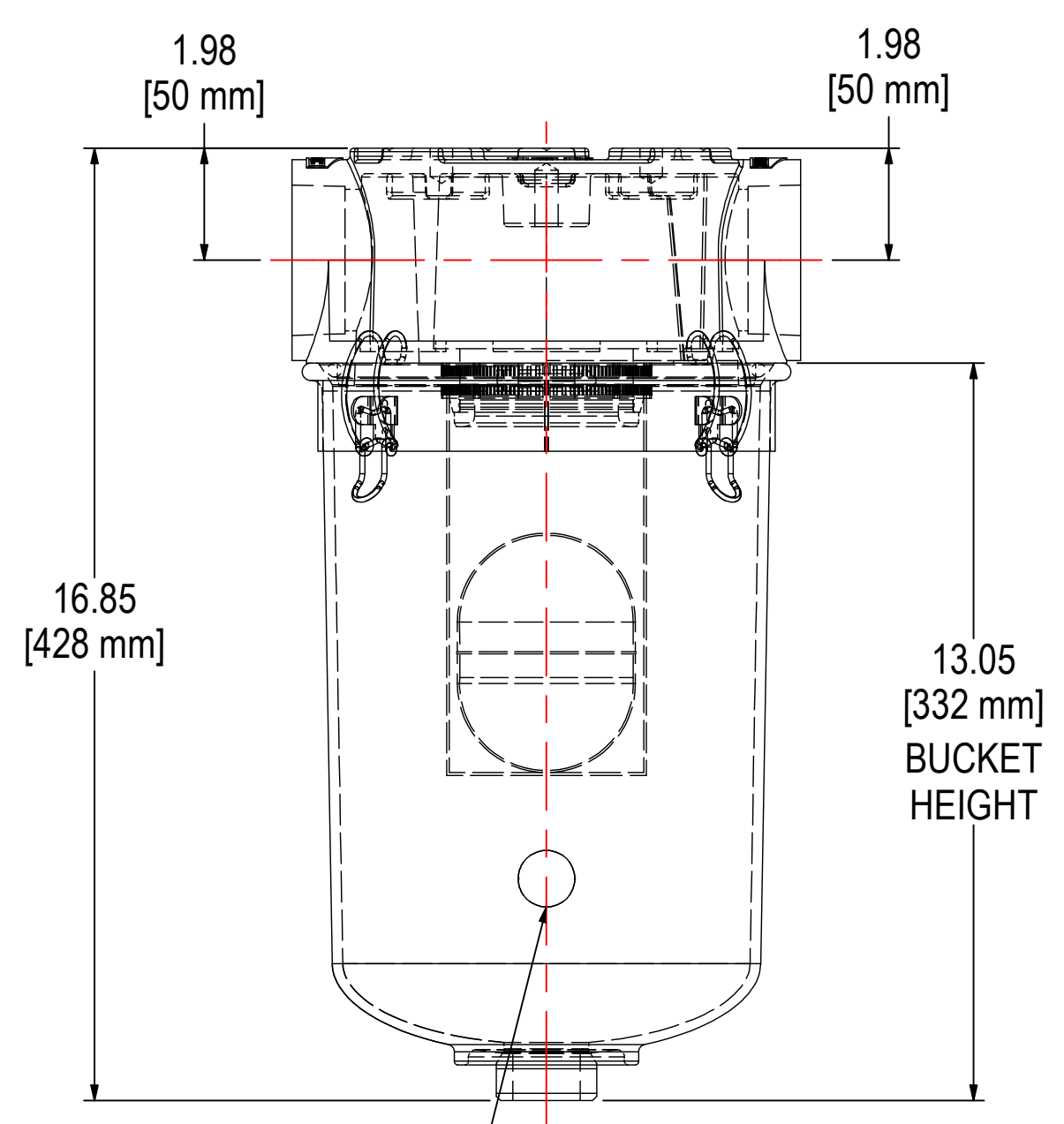
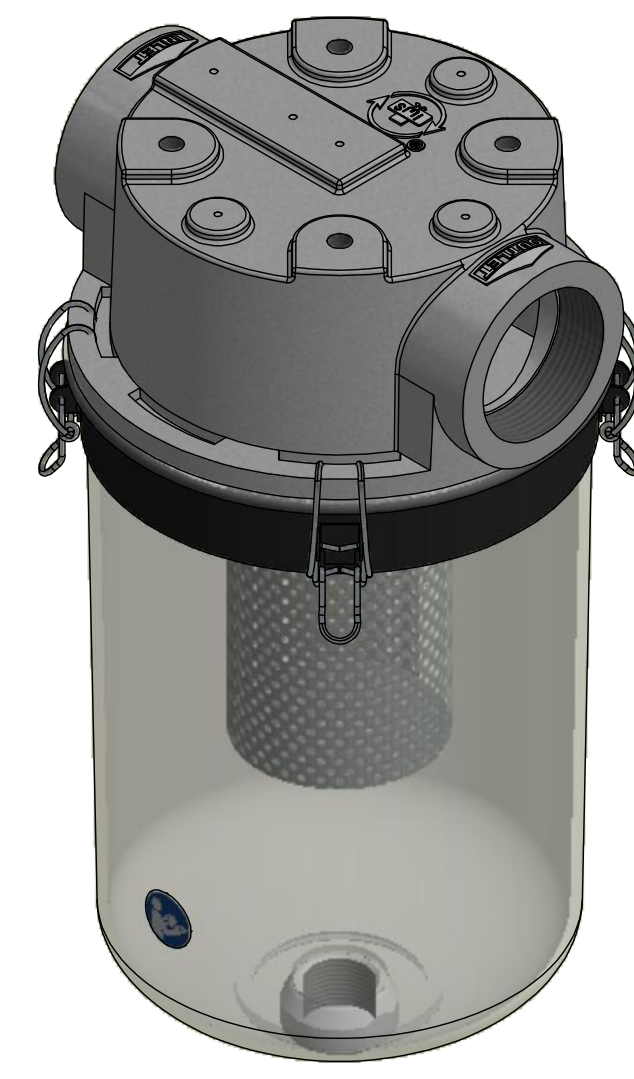
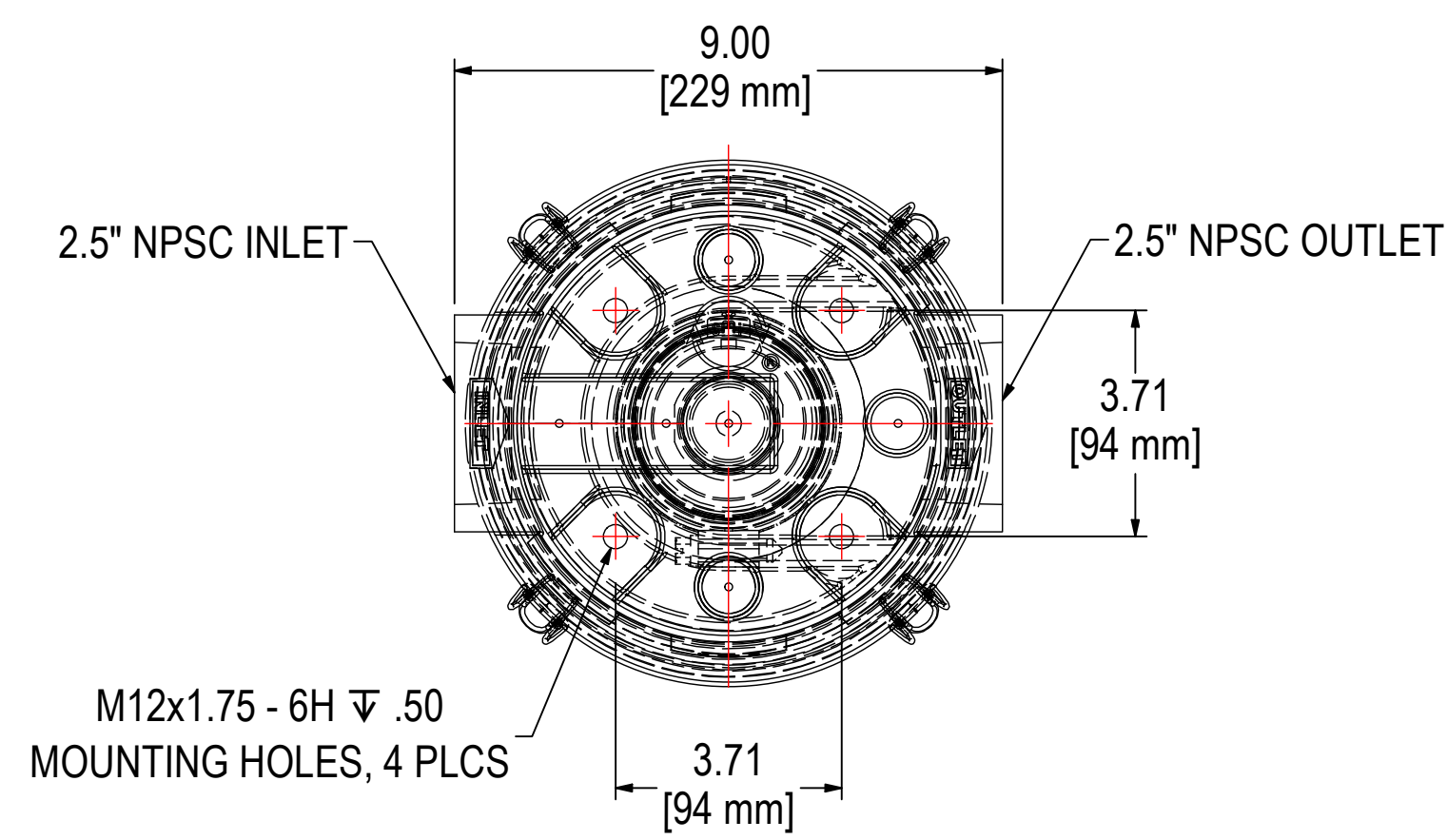


REV	DESCRIPTION	ECN #	CHG BY	DATE	APP'D
A	UPDATED DRAIN, WAS 1/2" BULKHEAD FITTING/CONVERTED TO 3D	14952	EZR	11/20/18	TAS
B	ADDED FLOAT SEAL INSERT	17082	JEB	09/02/19	TAS
C	UPDATED CASTING DESIGN	-	EZR	07/20/20	
D	UPDATED DRAIN MATERIAL, WAS 316 SS	PRJ676	WZL	07/22/21	



$\triangle$  D ISO 7010-M002 LABEL READ THE MANUAL

$\triangle$  D 1" NPSC DRAIN, POLYCARBONATE

MODEL #: STS-250C	MATERIAL: VARIES	FINISH: VARIES
-------------------	------------------	----------------

MODEL NUMBER: STS-250C	SHEET: 1 OF 1
------------------------	---------------

DESCRIPTION: STS-250C, 1" NPSC POLYCARBONATE DRAIN, CLEAR BUCKET			
--	--	--	--

PROJECT: SD21008	DRAWN BY: NAR DATE: 8/20/2014	APPROVED BY: CRW DATE: 8/20/2014	REV: D
------------------	----------------------------------	-------------------------------------	--------

**SOLBERG**  
Filtration • Separation • Silencing  
630.773.1363 • www.solbergmfg.com

THE INFORMATION CONTAINED HEREIN IS CONFIDENTIAL AND THE PROPERTY OF SOLBERG MANUFACTURING INC. AND IT IS FURNISHED TO YOU WITH THE EXPRESS UNDERSTANDING THAT IT WILL NOT BE REPRODUCED, COPIED IN ANY MANNER, LOANED OR OTHERWISE TRANSFERRED TO OTHERS ENTIRELY OR IN PART, NOR USED FOR ANY PURPOSE OTHER THAN FOR WHICH IT WAS FURNISHED. IT WILL BE RETURNED UPON REQUEST TO SOLBERG MANUFACTURING INC. THE ABOVE RESTRICTION IS IN ADDITION TO, AND DOES NOT IN ANY WAY ALTER, ANY OTHER RESTRICTIONS WHICH MAY APPLY TO THE INFORMATION CONTAINED HEREIN.

**TOLERANCES**  
DIMENSIONS ARE FOR REFERENCE ONLY. ALL DIMENSIONS ARE SUBJECT TO CHANGE UPON PRODUCTION.  
UNLESS OTHERWISE SPECIFIED:  
-DIMENSIONS ARE IN INCHES  
-REF: APPROXIMATE DIMENSIONS, NO TOLERANCES APPLY  
-FINISH: BREAK EDGES TO .005-.020 RADIUS/CHAMFER