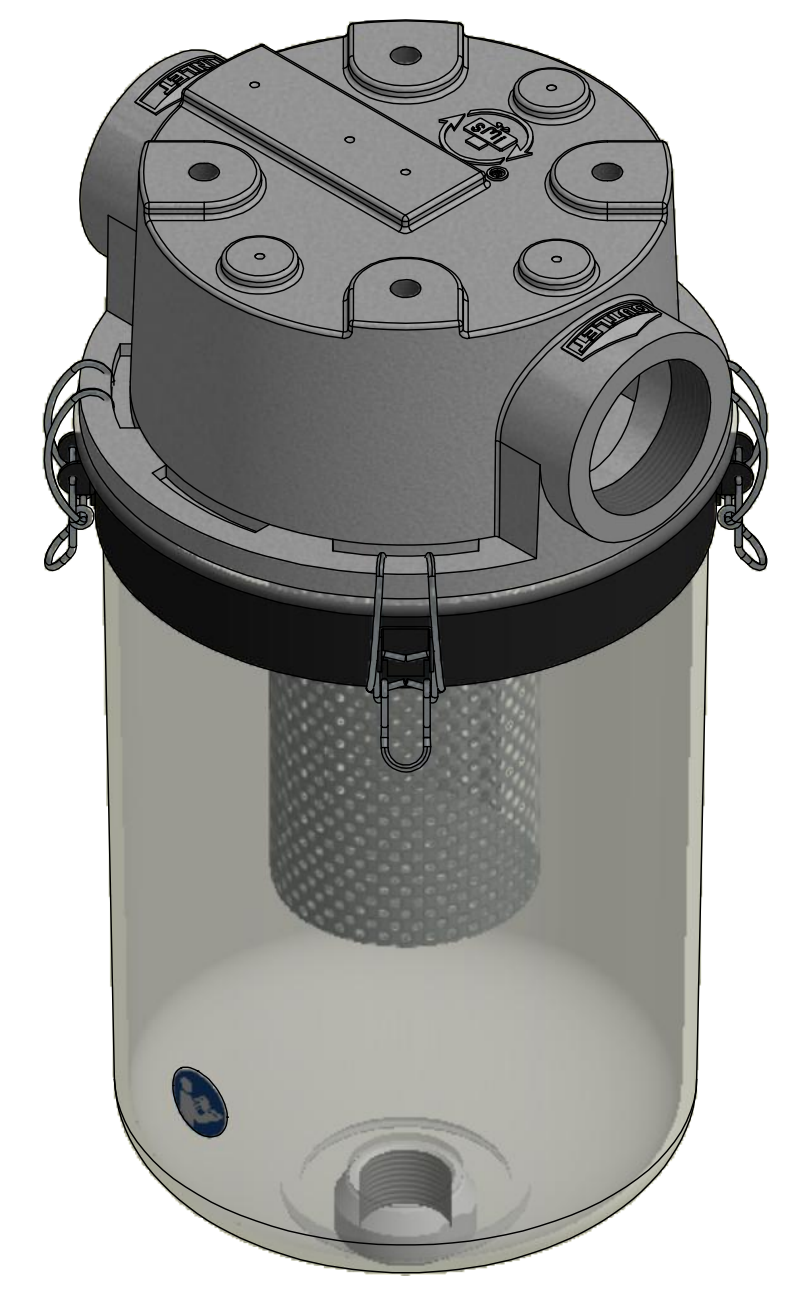
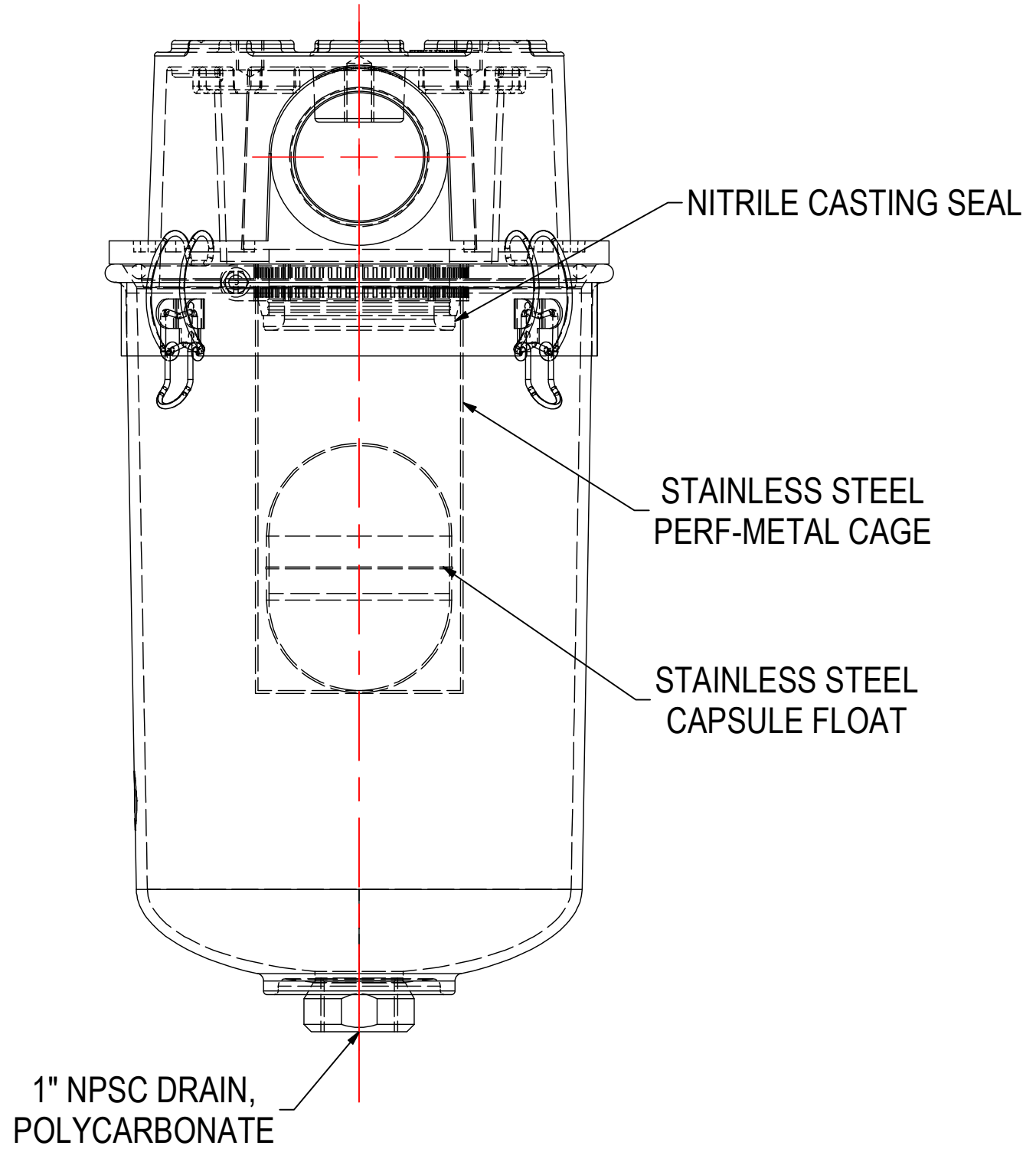
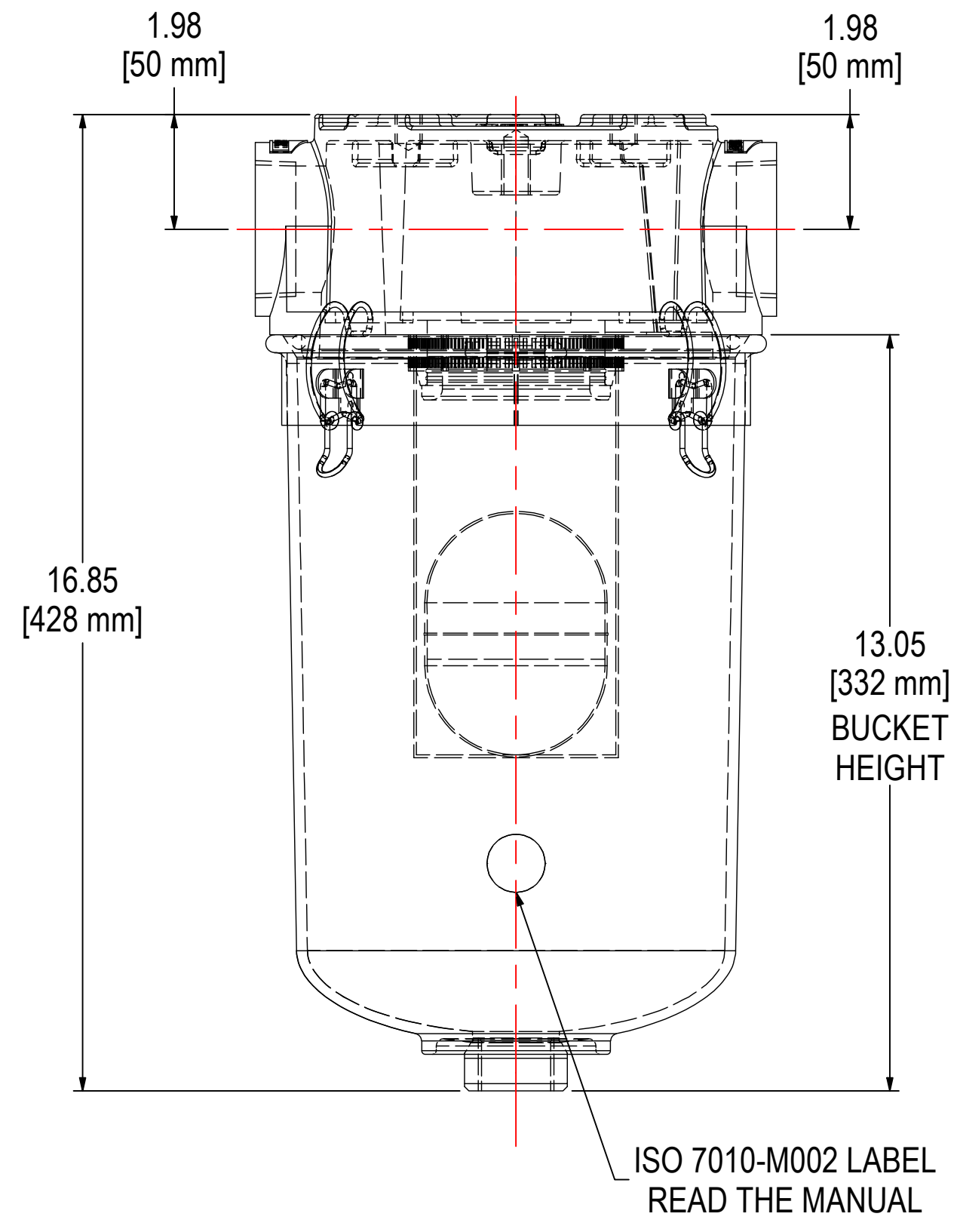
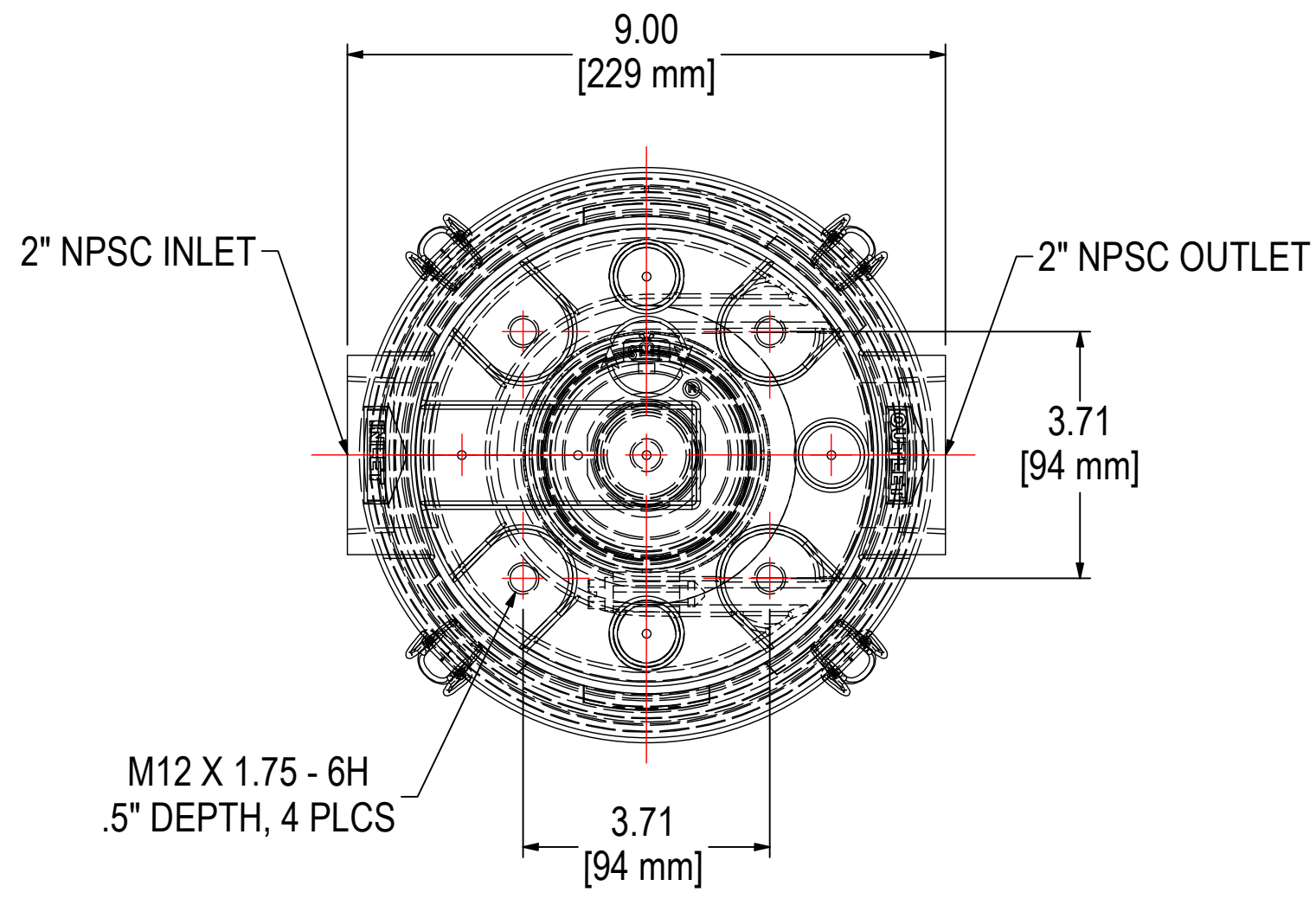


REV	DESCRIPTION	ECN #	CHG BY	DATE	APP'D
A	UPDATED INTERNAL COMPONENTS	-	CMA	06/16/09	M.C.
B	UPDATED BUCKET & CLIP HOLDERS	19180	CRW	10/12/10	M.C.
C	CHANGED DRAIN FITTING	PER M.C.	CRW	02/02/12	M.C.
D	CHANGED DRAIN SIZE, WAS 1/4"	PER M.C.	CRW	08/30/12	M.C.
E	UPDATED DRAIN FITTING	-	EZR	02/27/13	CRW
F	CHANGED BALL FLOAT TO CAPSULE DESIGN	PER M.C.	NAR	08/20/14	CRW
G	UPDATED DRAIN, WAS 1/2" BULKHEAD FITTING	14952	EZR	11/20/18	TAS
H	UPDATED CASTING DESIGN	15069	EZR	01/08/19	TAS
I	ADDED FLOAT SEAL INSERT	17082	JEB	09/02/19	TAS
J	UPDATED BUCKET, WAS BUCKET WITH 316 SS DRAIN	21468	WZL	03/11/21	NAD
K	REMOVED NOTE	PRJ 682	NAS	03/22/21	EZR



MODEL #: STS-200C	MATERIAL: CAST ALUMINUM	FINISH: VARIOUS
MODEL NUMBER: STS-200C	SHEET: 1 OF 1	
DESCRIPTION: STS-200C, 1" NPSC POLYCARBONATE DRAIN, CLEAR BUCKET		
PROJECT:	DRAWN BY: CRW DATE: 5/29/2014	APPROVED BY: M.C. DATE: 5/29/2014
		REV: K

SOLBERG
Filtration • Separation • Silencing
630.773.1363 • www.solbergmfg.com

THE INFORMATION CONTAINED HEREIN IS CONFIDENTIAL AND THE PROPERTY OF SOLBERG MANUFACTURING INC. AND IT IS FURNISHED TO YOU WITH THE EXPRESS UNDERSTANDING THAT IT WILL NOT BE REPRODUCED, COPIED IN ANY MANNER, LOANED OR OTHERWISE TRANSFERRED TO OTHERS ENTIRELY OR IN PART, NOR USED FOR ANY PURPOSE OTHER THAN FOR WHICH IT WAS FURNISHED. IT WILL BE RETURNED UPON REQUEST TO SOLBERG MANUFACTURING INC. THE ABOVE RESTRICTION IS IN ADDITION TO, AND DOES NOT IN ANY WAY ALTER, ANY OTHER RESTRICTIONS WHICH MAY APPLY TO THE INFORMATION CONTAINED HEREIN.

TOLERANCES
DIMENSIONS ARE FOR REFERENCE ONLY. ALL DIMENSIONS ARE SUBJECT TO CHANGE UPON PRODUCTION.
UNLESS OTHERWISE SPECIFIED:
-DIMENSIONS ARE IN INCHES
-REF: APPROXIMATE DIMENSIONS, NO TOLERANCES APPLY
-FINISH: BREAK EDGES TO .005-.020 RADIUS/CHAMFER