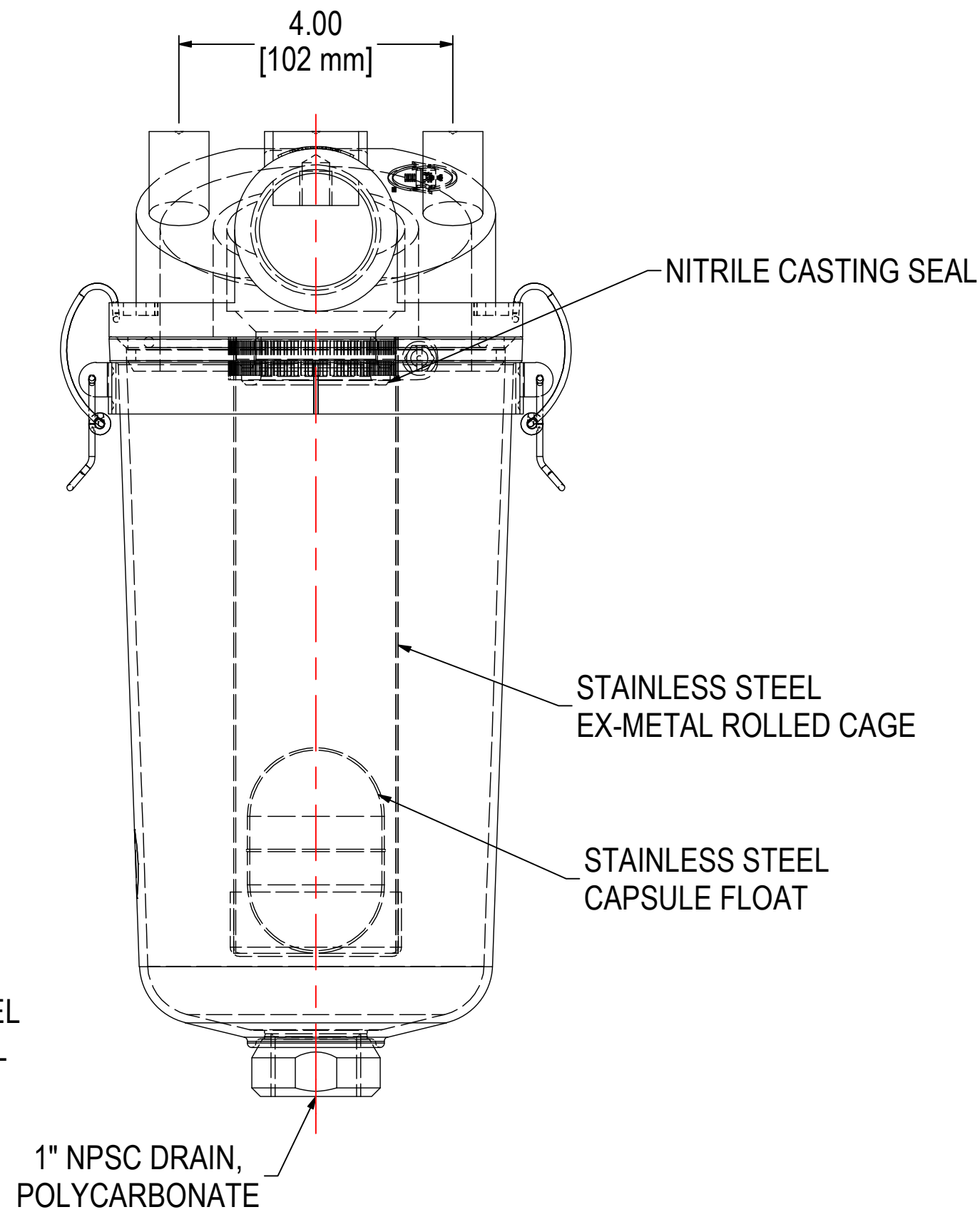
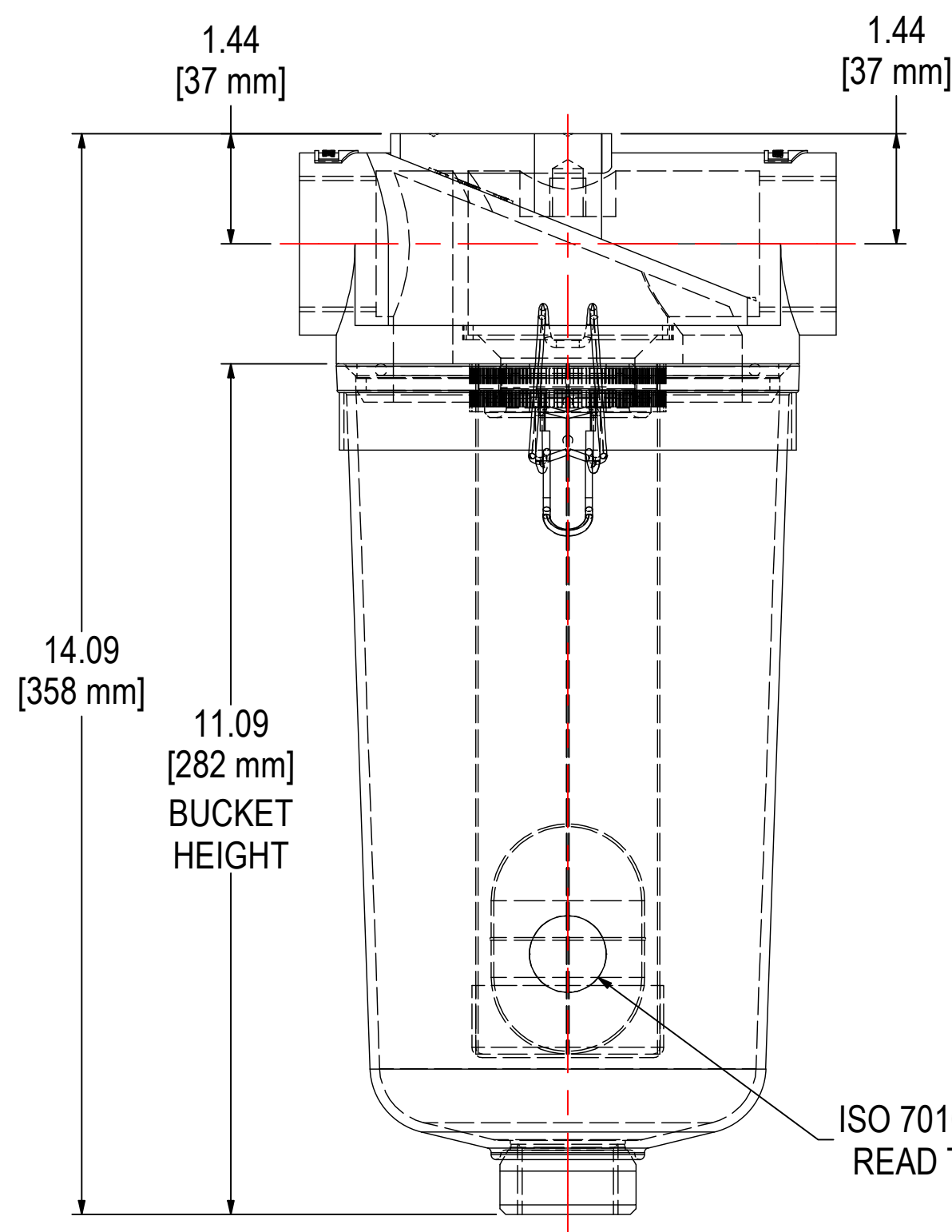
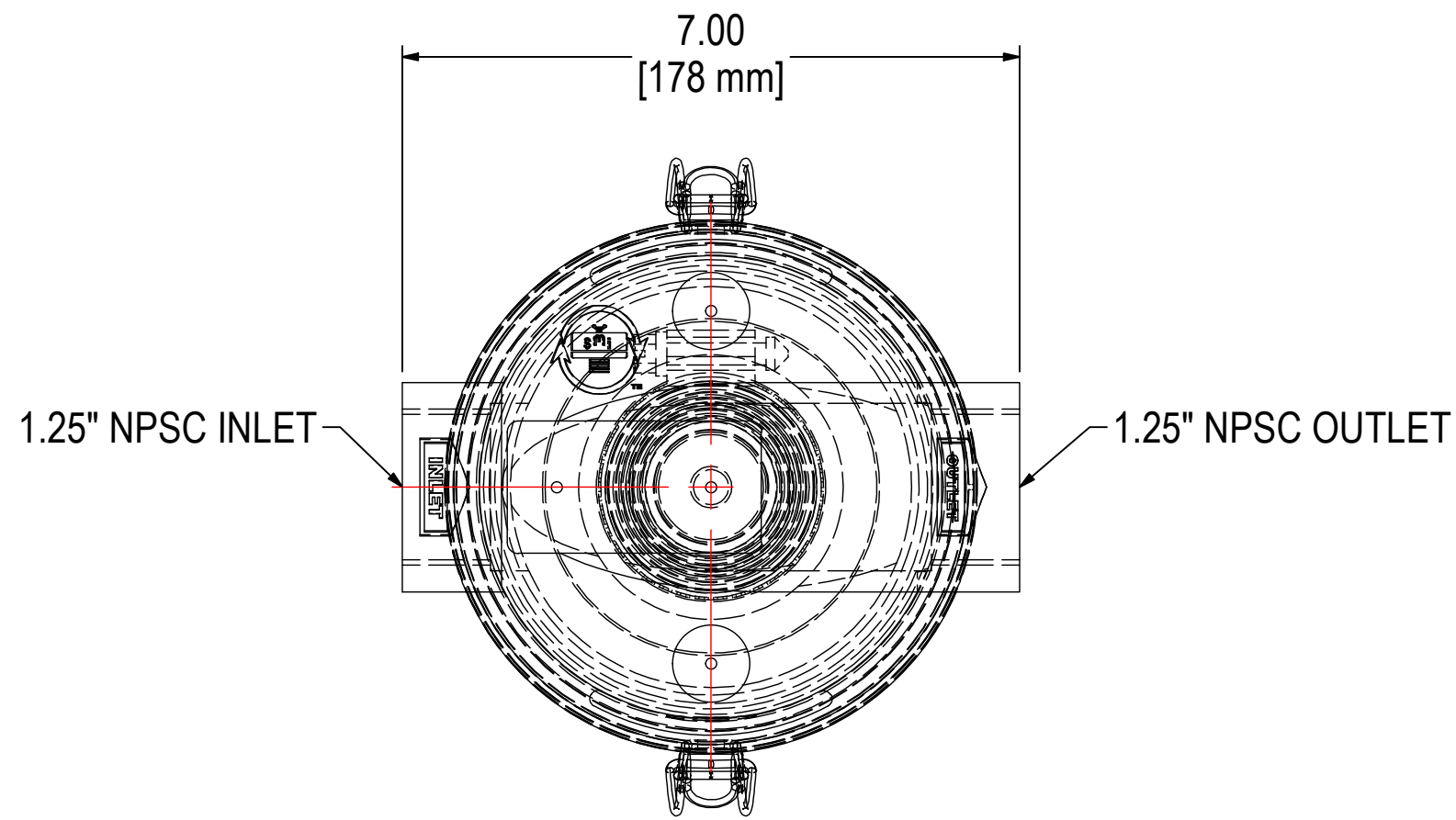


REV	DESCRIPTION	ECN #	CHG BY	DATE	APP'D
A	UPDATED CASTING	-	CRW	08/03/12	M.C.
B	CHANGED DRAIN SIZE, WAS 1/4"	PER M.C.	CRW	08/30/12	M.C.
C	UPDATED DRAIN FITTING	-	EZR	03/04/13	CRW
D	CHANGED BALL FLOAT TO CAPSULE DESIGN	PER MC	NAR	08/20/14	CRW
E	UPDATED FLAT CAGE & ADDED HOSE CLAMP	4223	TAS	10/27/14	CRW
F	UPDATED DRAIN, WAS 1/4" BULKHEAD FITTING	14952	EZR	11/19/18	TAS
G	ADDED FLOAT SEAL INSERT	17082	JEB	09/02/19	TAS
H	UPDATED BUCKET DRAIN MATERIAL, WAS 316 SS	21384	EZR	03/05/21	TAS
I	REMOVED B2B NOTE	PRJ 682	NAS	03/19/21	EZR



MODEL #: STS-125C	MATERIAL: CAST ALUMINUM/PLASTIC	FINISH: NONE	SHEET: 1 OF 1
MODEL NUMBER: STS-125C			
DESCRIPTION: STS-125C, 1" NPSC POLYCARBONATE DRAIN, CLEAR BUCKET			
PROJECT:	DRAWN BY: CRW	APPROVED BY: M.C.	REV: 1
	DATE: 5/29/2014	DATE: 5/29/2014	

SOLBERG
Filtration • Separation • Silencing
630.773.1363 • www.solbergmfg.com

THE INFORMATION CONTAINED HEREIN IS CONFIDENTIAL AND THE PROPERTY OF SOLBERG MANUFACTURING INC. AND IT IS FURNISHED TO YOU WITH THE EXPRESS UNDERSTANDING THAT IT WILL NOT BE REPRODUCED, COPIED IN ANY MANNER, LOANED OR OTHERWISE TRANSFERRED TO OTHERS ENTIRELY OR IN PART, NOR USED FOR ANY PURPOSE OTHER THAN FOR WHICH IT WAS FURNISHED. IT WILL BE RETURNED UPON REQUEST TO SOLBERG MANUFACTURING INC. THE ABOVE RESTRICTION IS IN ADDITION TO, AND DOES NOT IN ANY WAY ALTER, ANY OTHER RESTRICTIONS WHICH MAY APPLY TO THE INFORMATION CONTAINED HEREIN.

TOLERANCES
DIMENSIONS ARE FOR REFERENCE ONLY. ALL DIMENSIONS ARE SUBJECT TO CHANGE UPON PRODUCTION.
UNLESS OTHERWISE SPECIFIED:
-DIMENSIONS ARE IN INCHES
-REF: APPROXIMATE DIMENSIONS, NO TOLERANCES APPLY
-FINISH: BREAK EDGES TO .005-.020 RADIUS/CHAMFER