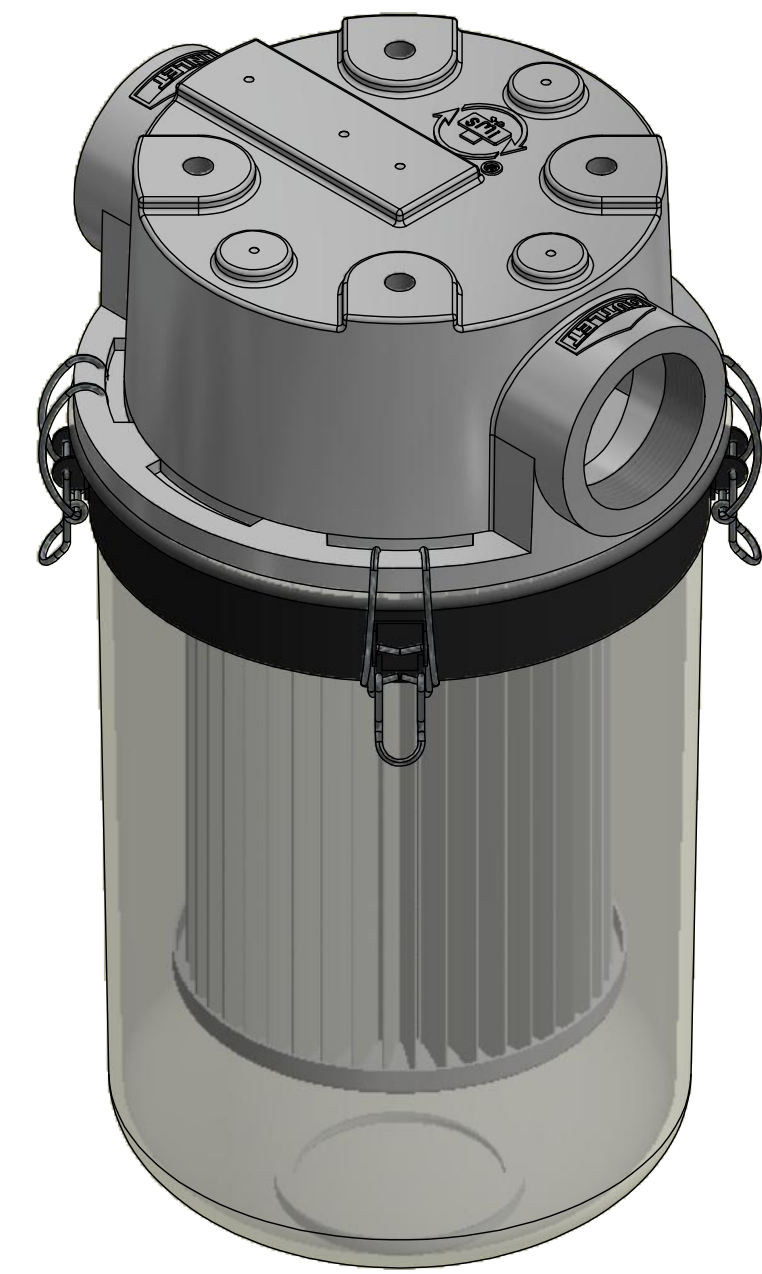
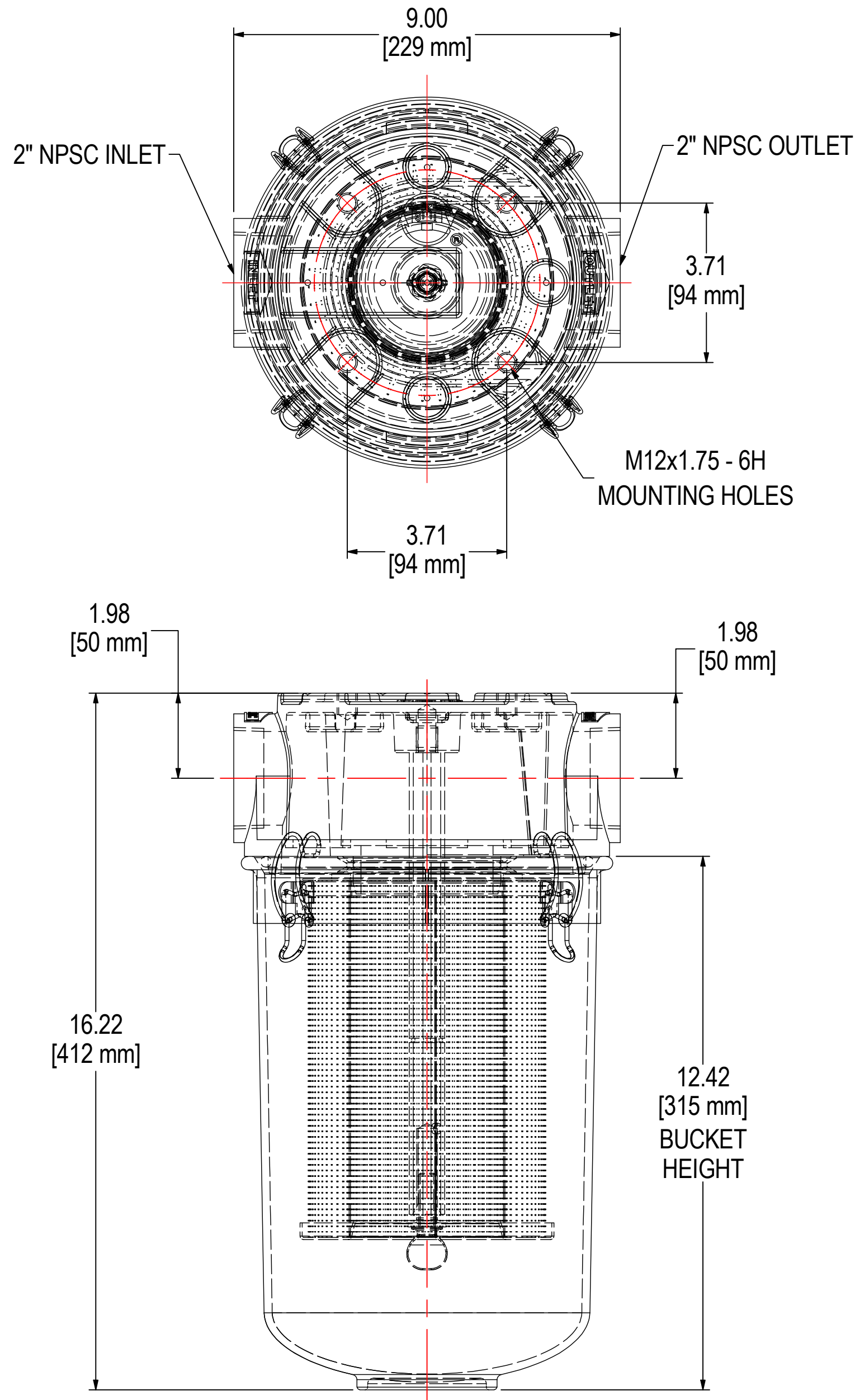


REV	DESCRIPTION	ECN #	CHG BY	DATE	APP'D
A	ADDED B.C. & TAP DESCRIPTION	-	CMA	07/01/10	M.C.
B	UPDATED BUCKET & CLIP HOLDERS	19180	CRW	10/12/10	M.C.
C	UPDATED TO 3D	17692	NAD	11/18/19	EZR



ELEMENT SPECS		
PART NUMBER	851/1	
MATERIAL	POLYESTER	
FLOW RATE	290 CFM	492 m ³ /hr
SURFACE AREA	4.8 ft ²	0.4 m ²
I.D.	3.50"	89mm
O.D.	5.91"	150mm
HEIGHT	8.52"	216mm

MODEL #: ST-851/1-200C	MATERIAL: CAST ALUMINUM/PLASTIC	FINISH: NONE
MODEL NUMBER: ST-851/1-200C	SHEET: 1 OF 1	
DESCRIPTION: ST-851/1-200C, CLEAR BUCKET		
PROJECT: SD14213	DRAWN BY: CRW DATE: 6/6/2008	APPROVED BY: M.C. DATE: 6/6/2008
		REV: C

SOLBERG
Filtration • Separation • Silencing
630.773.1363 • www.solbergmfg.com

THE INFORMATION CONTAINED HEREIN IS CONFIDENTIAL AND THE PROPERTY OF SOLBERG MANUFACTURING INC. AND IT IS FURNISHED TO YOU WITH THE EXPRESS UNDERSTANDING THAT IT WILL NOT BE REPRODUCED, COPIED IN ANY MANNER, LOANED OR OTHERWISE TRANSFERRED TO OTHERS ENTIRELY OR IN PART, NOR USED FOR ANY PURPOSE OTHER THAN FOR WHICH IT WAS FURNISHED. IT WILL BE RETURNED UPON REQUEST TO SOLBERG MANUFACTURING INC. THE ABOVE RESTRICTION IS IN ADDITION TO, AND DOES NOT IN ANY WAY ALTER, ANY OTHER RESTRICTIONS WHICH MAY APPLY TO THE INFORMATION CONTAINED HEREIN.

TOLERANCES
DIMENSIONS ARE FOR REFERENCE ONLY. ALL DIMENSIONS ARE SUBJECT TO CHANGE UPON PRODUCTION.
UNLESS OTHERWISE SPECIFIED:
-DIMENSIONS ARE IN INCHES
-REF: APPROXIMATE DIMENSIONS, NO TOLERANCES APPLY
-FINISH: BREAK EDGES TO .005-.020 RADIUS/CHAMFER