

Specifications

Port Sizes	3"
Thread Styles	NPT
Flow Capacity	1200 SCFM @ 100 PSI
Filter Capacity	0.01 micron & larger
Differential Pressure	< 2.5 PSID at rated flow
Max. Temp./Pressure (Aluminum Bowl)	175 °F/200 PSIG (Manual drain) 175 °F/150 PSIG (Float drain)
Approx. Weight (lb.)	76.0
ISO Class	1 Particulate/Oil

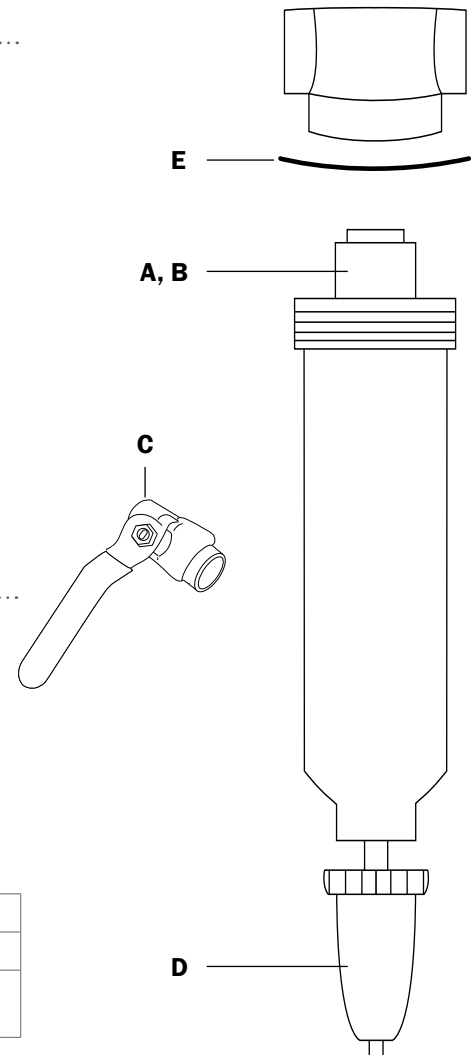


Water
Dirt
Oil
Oil Vapor
Odor

For higher pressure units, consult factory.

Replacement Parts & Accessories

Description	Part Number
A Replacement Element, 1st Stage	1M-1200
B Replacement Element, 2nd Stage	3C-1200
C Manual Drain, Ball Valve	BV-051
D External Automatic Float Drain	N32-95-XD8
E Bowl O-ring	PHC-032



Order Guide

Drain Type	Port Size	Model Number	Dimensions (in.)		
			Height	Width	Depth
Manual	3"	1M-1200-M24-DCP	40.0	17.0	7.3
External Automatic	3"	1M-1200-M24-DC	44.0	17.0	7.3