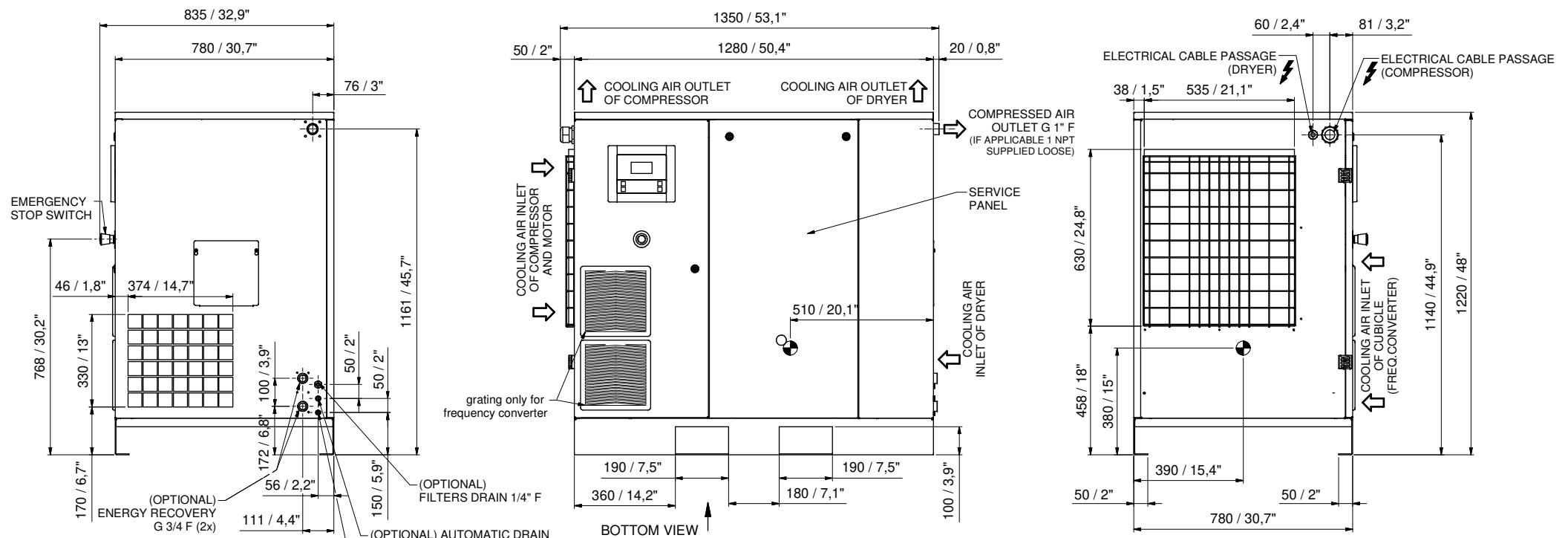
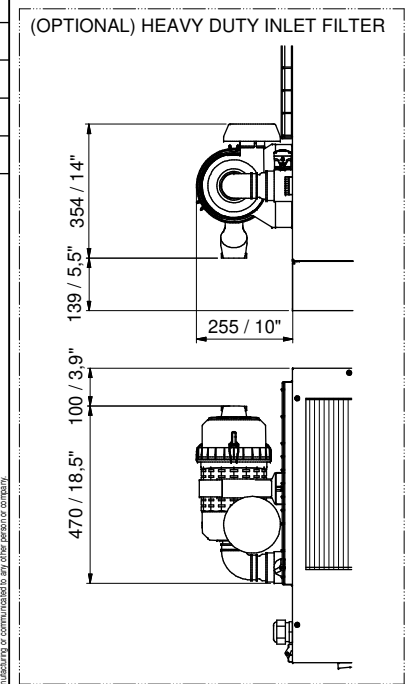


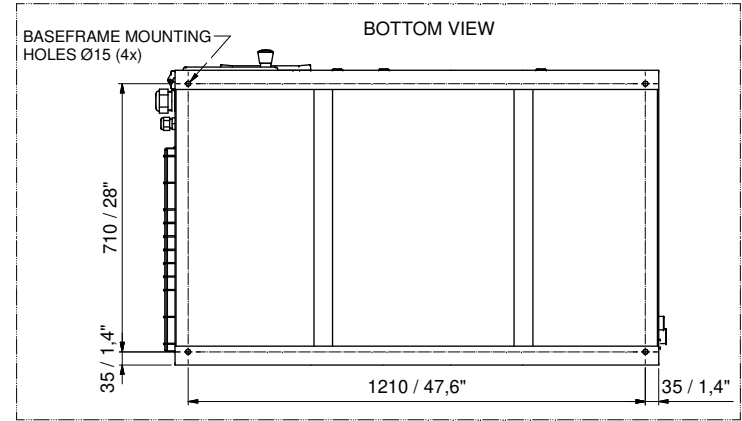
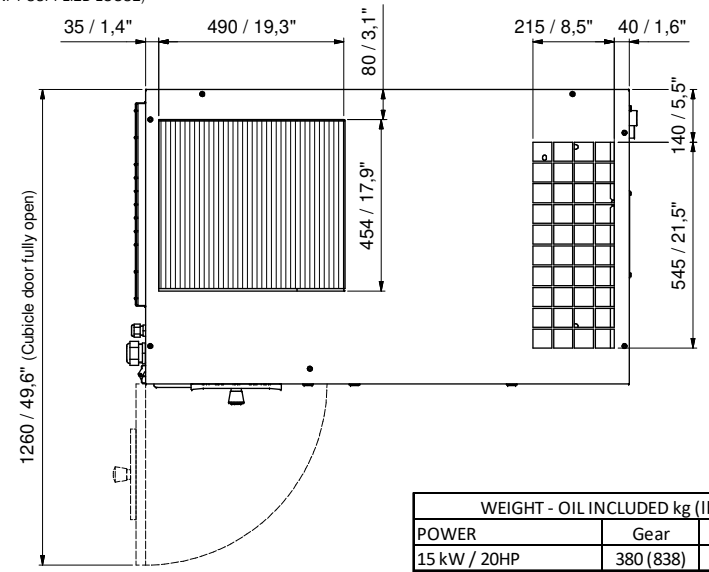
All materials supplied are in compliance with the requirements of the List of Prohibited Substances



**BOTTOM VIEW**



- (OPTIONAL) ENERGY RECOVERY G 3/4 F (2x)
- (OPTIONAL) FILTERS DRAIN 1/4" F
- (OPTIONAL) AUTOMATIC DRAIN OF COMPRESSOR G 3/8" F (IF APPLICABLE 3/8 NPT SUPPLIED LOOSE)
- (OPTIONAL) AUTOMATIC DRAIN OF DRYER G 3/8" F (IF APPLICABLE 3/8 NPT SUPPLIED LOOSE)



**Notes:**  
 ● - Center of gravity  
 Dimensions metric (mm) / imperial (inches)  
 Dimension tolerances ± 10 / 0,4" Weight tolerances ± 10 kg / 22lbs

WEIGHT - OIL INCLUDED kg (lbs)		
POWER	Gear	Direct
15 kW / 20HP	380 (838)	360 (794)
18,5 kW / 25 HP	410 (904)	380 (838)
22 kW / 30 HP	425 (937)	390 (860)
36 kW / 35 HP	440 (970)	405 (893)

Tolerances, if not indicated, according to:					
Name	DIMENSION DRAWING		C67 GD-DD FF FM A1		Confidentiality Class acc. to 1102 K
Material	Not Applicable		NO BAFFLE		Confidential
Treatment	Not Applicable		INV		
Scale	1 : 10	Family	BP C67 GD-DD	Compare	
Drawn by	caisgraser	Blank nr.		Replaces	
Drawing format	Blank wt.	Kg	Fin. wt.	N/A	Designation
STATUS	A2	Des checked.	Prod checked.	Approved.	Date
Approved					28/09/2018

CONFIDENTIAL: This document is our property and shall not without our permission be altered, copied, used for manufacturing or communication to any other generator or company.

01	Updated views with options - CID 27407/14-10-19 - DN 19062561	15/10/2019	sgraser
Ed	Position	Modified from	Date
		Intr./Appd.	

9828083747	
Parent 3D model	Ed. Version 3D

Sheet 1 / 1  
**9828083748**