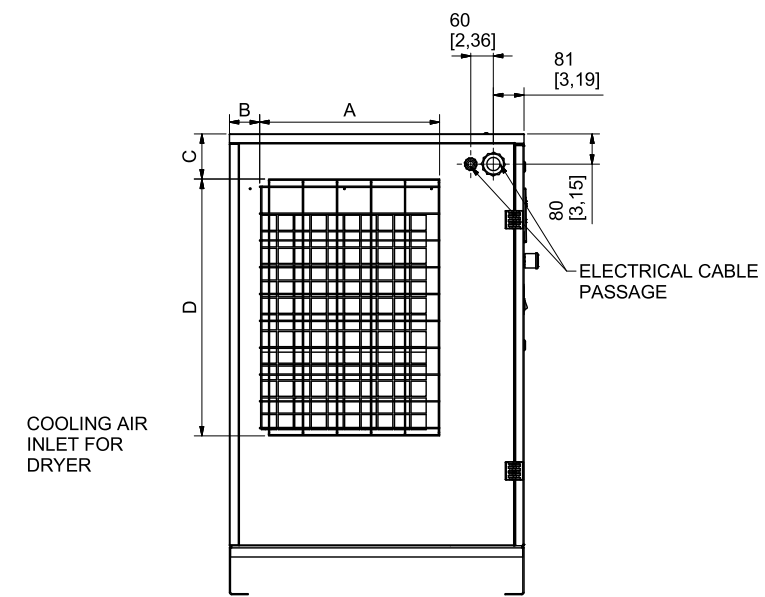
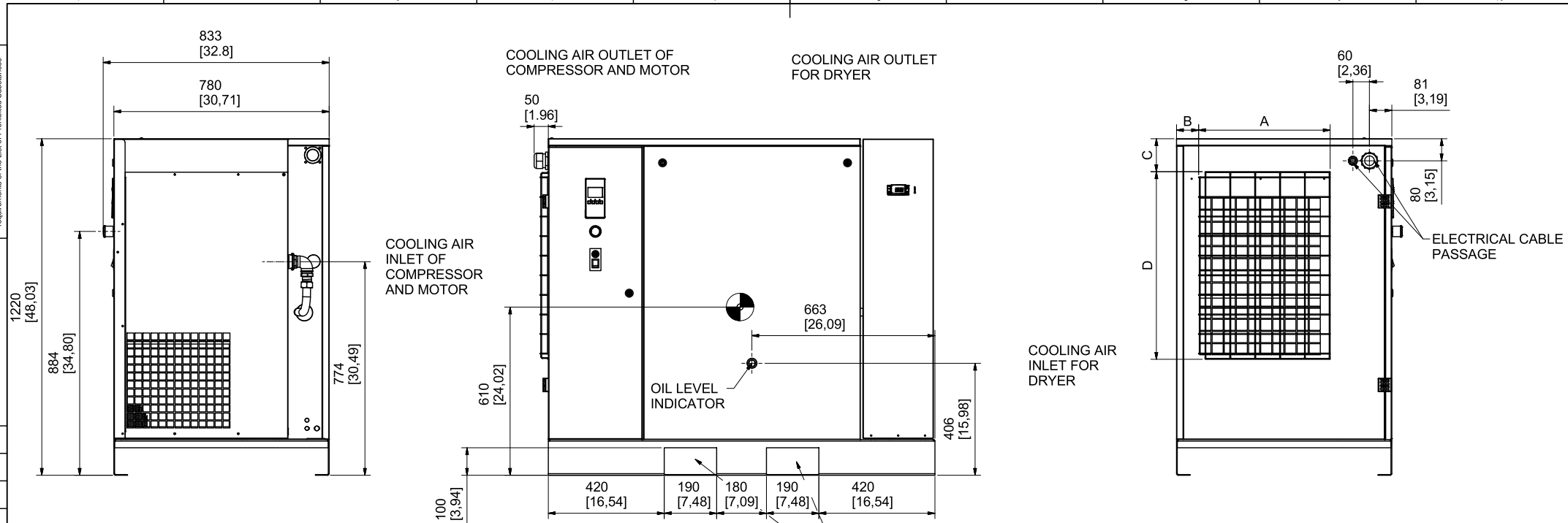
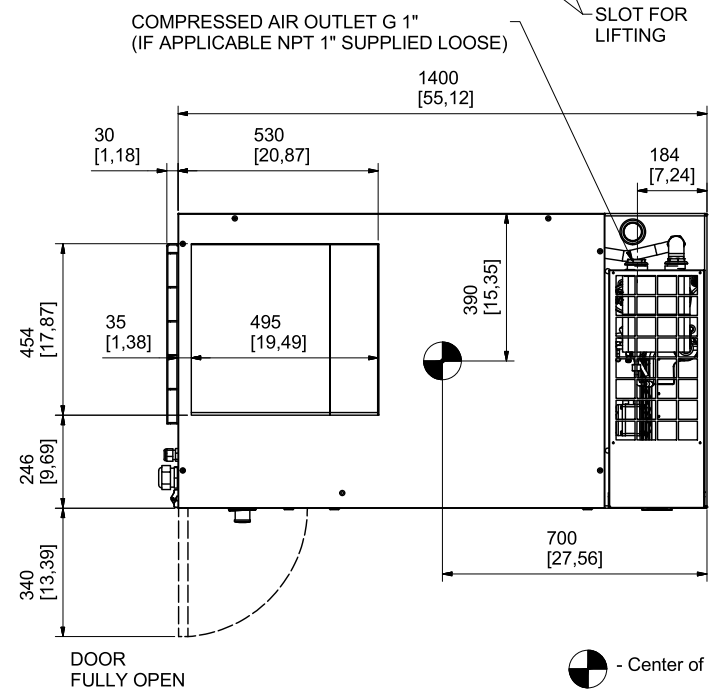


All materials supplied are in compliance with the requirements of the List of Prohibited Substances



ALL DIMENSIONS: mm [inch]



AIR COOLING INLET GRID DIMENSION [mm]				
	A	B	C	D
15 kW / 20HP	476,5	80	119,5	680
18,5 kW / 25 HP	476,5	80	119,5	680
22 kW / 30 HP	476,5	80	119,5	680
30 kW / 40 HP	520	45	270	590

AIR COOLING INLET GRID DIMENSION [in]				
	A	B	C	D
15 kW / 20HP	18,8	3,15	4,7	26,77
18,5 kW / 25 HP	18,8	3,15	4,7	26,77
22 kW / 30 HP	18,8	3,15	4,7	26,77
30 kW / 40 HP	20,47	1,77	10,63	23,23

APPROX WEIGHT		
	±50 (KG)	±110 (lbs)
15 kW / 20HP	362	798
18,5 kW / 25 HP	377	831
22 kW / 30 HP	393	866
30 kW / 40 HP	493	1087

Tolerances, if not indicated, according to:

Name	DIMENSION DRAWING C67-C80 BELT FF FM		Confidentiality Class	acc. to 1102 K
Material	Not Applicable		Confidential	
Treatment	Not Applicable		INV	
Scale	1 : 10	Family	Compare	Drawing Owner
Drawn by	caladanielt	Blank nr.	Replaces	CAI
Drawing format	Blank wt	Kg	Fin wt.	N/A
STATUS	Des checked.	Prod checked.	Approved.	Date
Parent 3D model	Ed . Version 3D	Approved	09/04/2018	9828083718

Ed	Position	Modified from	Date	Intr./Appd.
01		ADDED MEASURE FOR 40HP CID 26917 - DN180625 22	09/04/2018	adanielt

- Center of gravity

CONFIDENTIAL: This document is property of Atlas Copco AB and shall not without our permission be altered, copied, used for manufacturing or communicated to any other person or company.