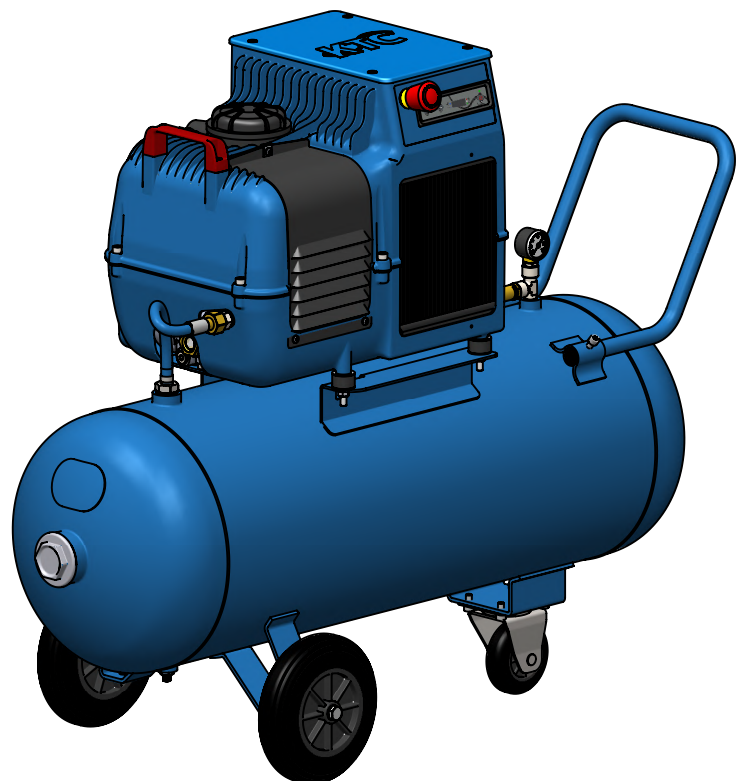
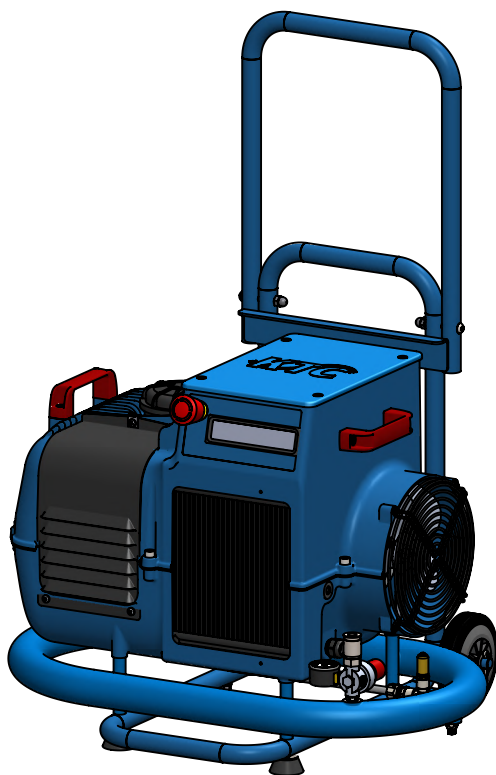
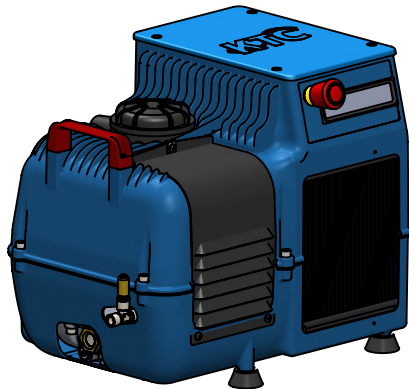
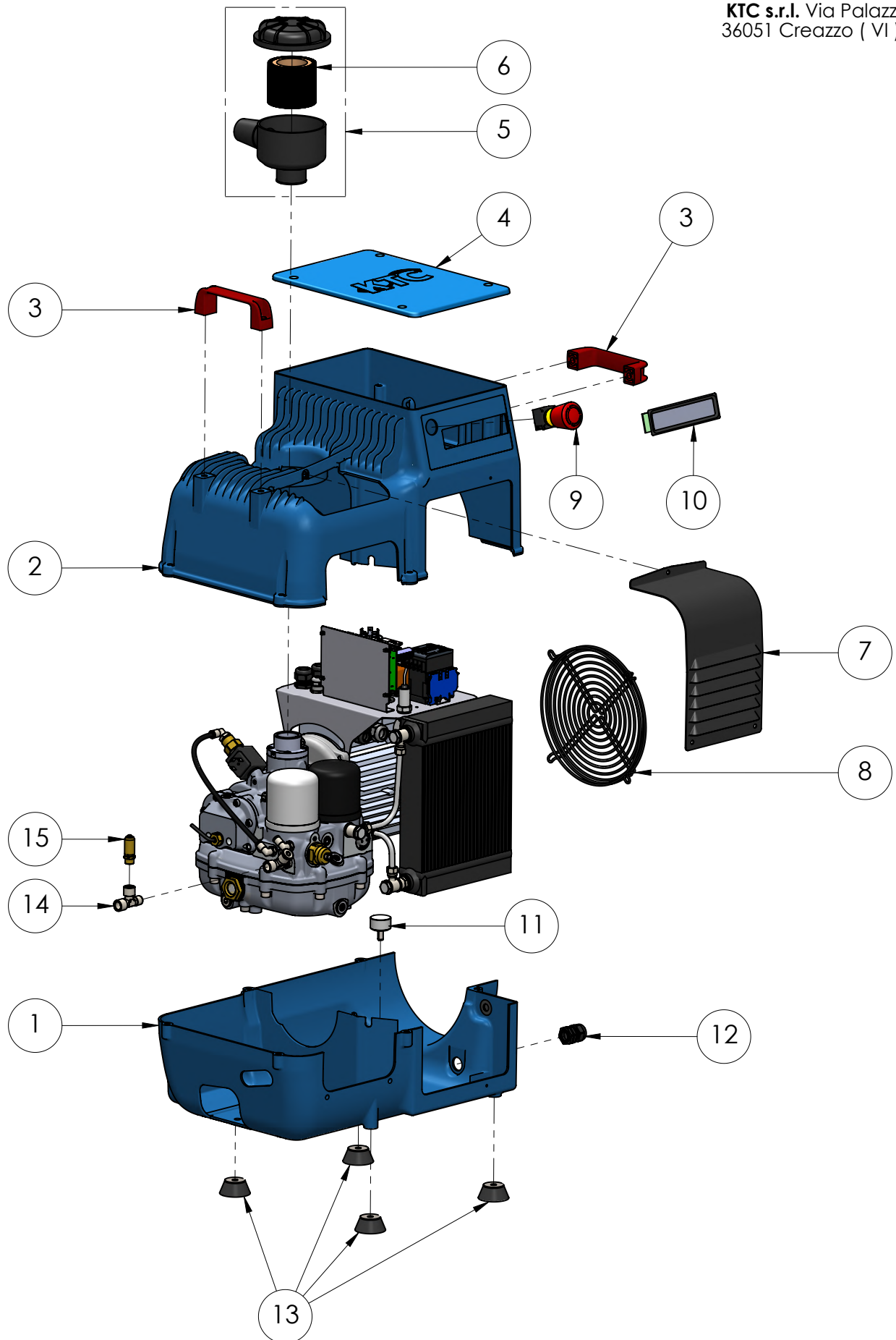


# COMPACT 2 SPECIAL

## ADAM 60 1PH/150PSI





TIPO TYPE <b>Ricambi Esterni</b> <i>External Spare Parts</i>	CODICE CODE <b>COMPACT 2 SPECIAL</b>	DATA DATE <b>02/2022</b>	REVISIONE REVISION <b>00</b>
--	---	-----------------------------	---------------------------------

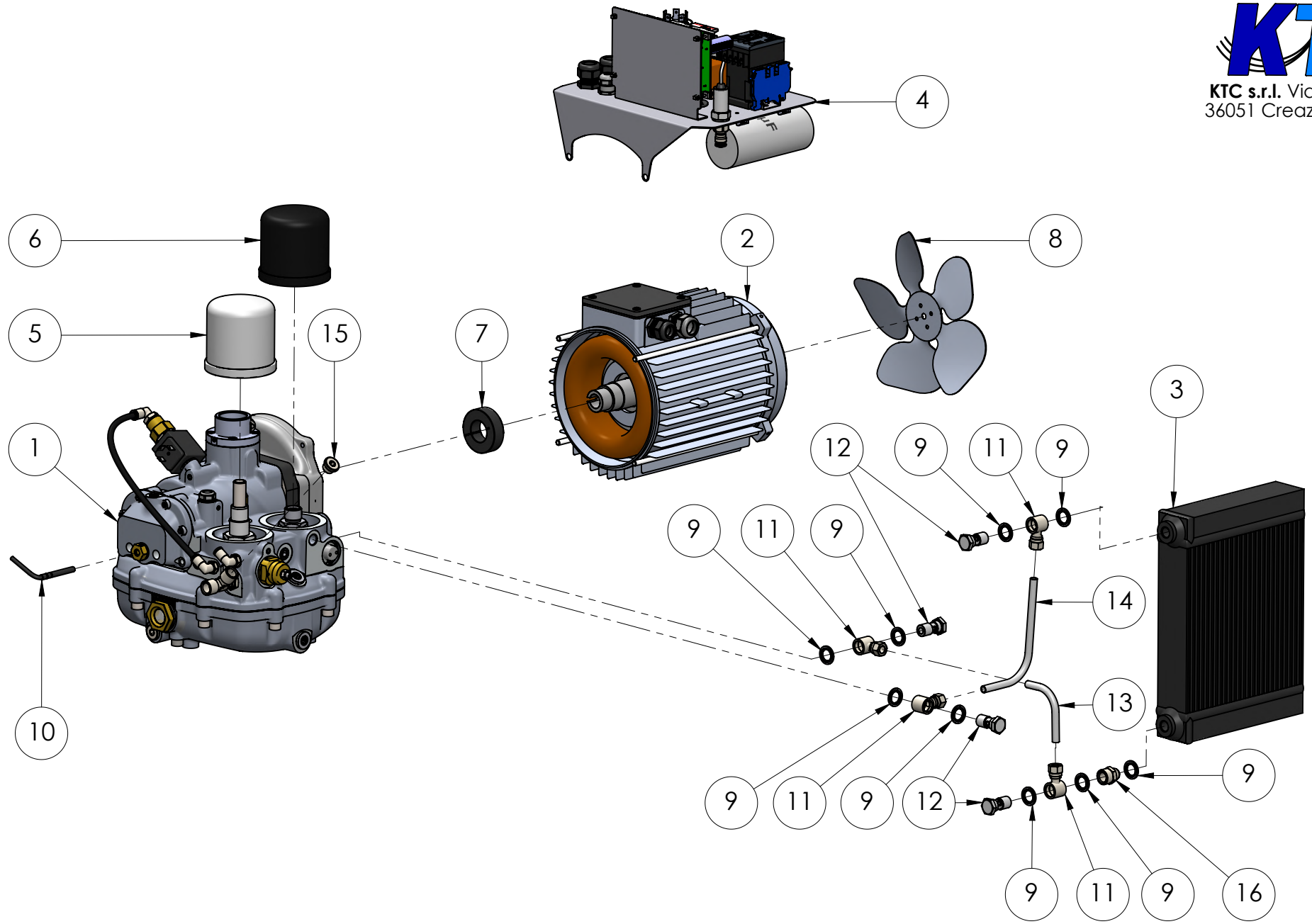


KTC s.r.l. Via Palazzon 70  
36051 Creazzo (VI) ITALY

N°	Codice Code	Q.tà Q.ty	Descrizione	Description	(*) Rec.
1	A01Z6021	1	SEMIGUSCIO INFERIORE COMPACK	COMPACK LOWER HALF-SHELL	
2	A01Z6020	1	SEMIGUSCIO SUPERIORE COMPACK	COMPACK UPPER HALF-SHELL	
3	F06R7290	2	MANIGLIA	HANDLE	
4	A01Z6019	1	COPERCHIO SUPERIORE COMPACK SPECIAL	TOP COVER COMPACK SPECIAL	
5	G07Q0125	1	FILTRO DI ASPIRAZIONE COMPLETO	COMPLETE INLET FILTER	
6	G07Q0120	1	CARTUCCIA FILTRO ASPIRAZIONE	INLET FILTER CARTRIDGE	1
7	A01Z6025	1	GRIGLIA PER VENTILAZIONE	VENTILATION GRILL	
8	E05S4018	1	GRIGLIA VENTOLA	FAN GRID	
9	C03U1444	1	PULSANTE DI EMERGENZA	EMERGENCY BUTTON	
10	C03U2004	1	CONTROLLORE ELETTRONICO Ktronic 5	ELECTRONIC CONTROLLER Ktronic 5	
11	F06R7546	1	ANTIVIBRANTE A PIEDINO	ANTIVIBRATION	
12	C03U1077	1	PRESSACAVO M20x1.5	GLAND M20 x 1.5	
13	F06R7362	4	PIEDINO ANTIVIBRANTE A VENTOSA	ANTIVIBRATION	
14	F06R2231	1	RACCORDO T MFF 1/4" FEMMINA AL CENTRO	1/4" T FITTING WITH CENTER FEMALE	
15	F06R9075	1	VALVOLA SICUREZZA 1/4" 11 BAR/159,5 PSI ASME	1/4" SAFETY VALVE 11 BAR/159,5 PSI ASME	

(\*) Ricambi consigliati  
*Recommended spare parts*

TIPO TYPE	<b>Ricambi Esterni</b> <i>External Spare Parts</i>	CODICE CODE	<b>COMPACK 2 SPECIAL</b>	DATA DATE	02/2022	REVISIONE REVISION	00
--------------	---	----------------	--------------------------	--------------	---------	-----------------------	----



TIPO <b>Ricambi interni</b> TYPE <i>Internal Spare Parts</i>	CODICE CODE	<b>COMPACK 2 SPECIAL</b>	DATA <b>02/2022</b> DATE	REVISIONE <b>00</b> REVISION
---	----------------	--------------------------	-----------------------------	---------------------------------



KTC s.r.l. Via Palazzon 70  
36051 Creazzo (VI) ITALY

N°	Codice Code	Q.tà Q.ty	Descrizione	Description	(*) Rec.
1	M10M0212	1	ADAM 60 MEC100	ADAM 60 MEC100	
2	B02V0226	1	MOTORE ELETRICO	ELECTRICAL MOTOR	
3	E05S0117	1	SCAMBIATORE OLIO	OIL COOLER	
4	C03U4202	1	CASSETTA COMPLETA COMPACK SPECIAL	ELECTRIC BOX COMPACK SPECIAL	
5	G07Q1013	1	FILTRO DISOLEATORE	AIR/OIL SEPARATOR FILTER	1
6	G07Q1012	1	FILTRO OLIO	OIL FILTER	1
7	D04T3044	1	GHIERA PER ALBERO A MORSETTO	RING SHAF	
8	E05S2019	1	VENTOLA	FAN	
9	F06R7324	9	RONDELLA BONDED SEALS 1/4"	1/4" BONDED SEALS	
10	C03U1008	1	SONDA DI TEMPERATURA	TEMPERATURE PROBE	
11	F06R7316	4	RACCORDO OCCHIO M 1/4"	1/4" M FITTING EYE	
12	F06R7314	4	VITE FORATA 1/4"	1/4" PREFORED BOLT	
13	F06R0284	1	TUBO NBK COMPACK SPECIAL ADAM 60	TUBE COMPACK SPECIAL ADAM 60	
14	F06R0285	1	TUBO NBK COMPACK SPECIAL ADAM 60	TUBE COMPACK SPECIAL ADAM 60	
15	F06R7058	1	TAPPO	PLUG	
16	F06R2327	1	RIDUZIONE MF 1/4"	M 1/4"- F 1/4" REDUCTION	

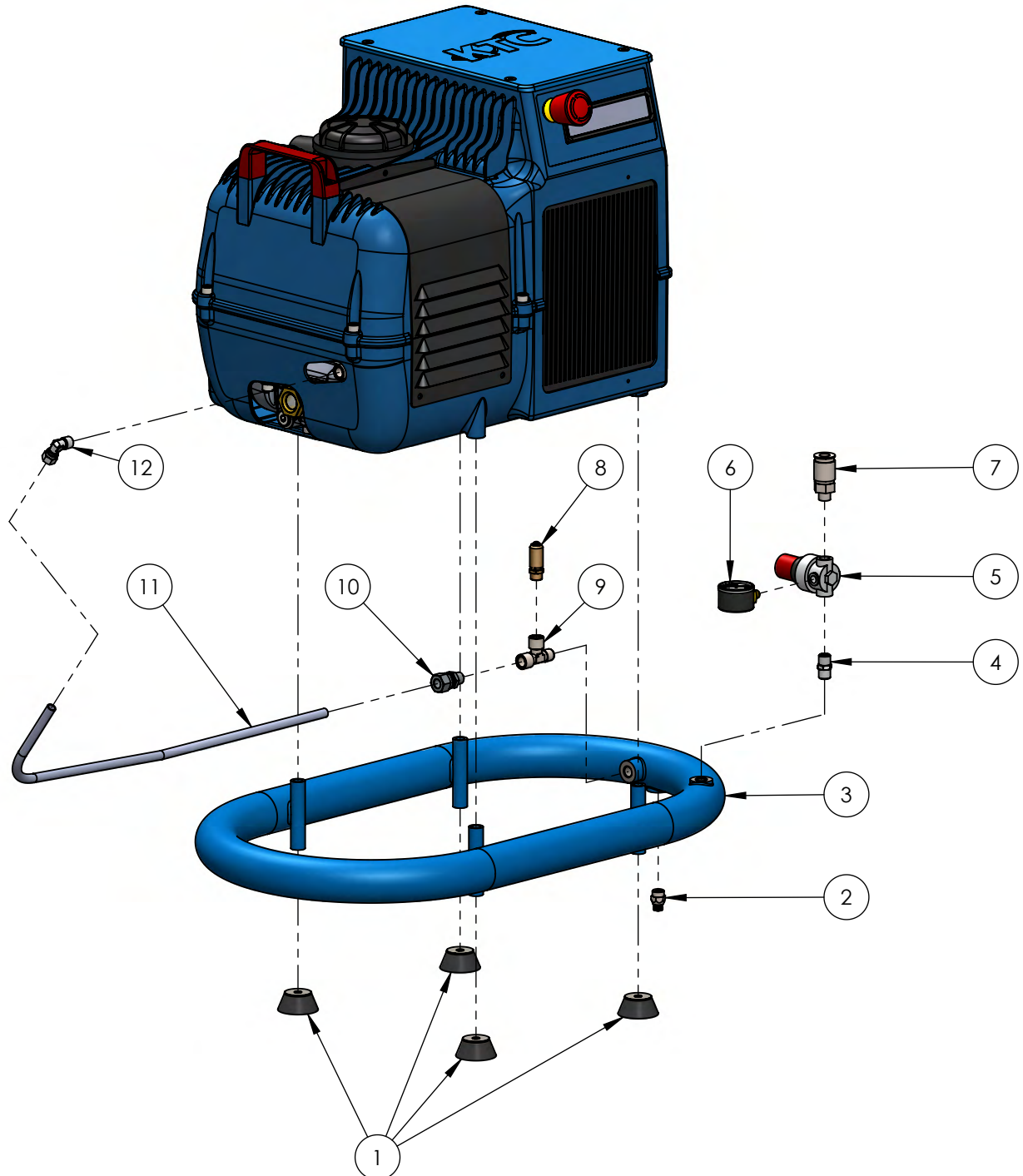
(\*) Ricambi consigliati  
*Recommended spare parts*

TIPO **Ricambi Interni**  
TYPE *Internal Spare Parts*

CODICE **COMPACK 2 SPECIAL**  
CODE

DATA **02/2022**  
DATE

REVISIONE **00**  
REVISION





KTC s.r.l. Via Palazzon 70  
36051 Creazzo (VI) ITALY

N°	Codice Code	Q.tà Q.ty	Descrizione	Description	(*) Rec.
1	F06R7362	4	PIEDINO ANTIVIBRANTE A VENTOSA	ANTIVIBRATION	
2	F06R9109	1	RUBINETTO SPURGO 1/4"	1/4" DRAIN VALVE	
3	H08P0247	1	SERBATOIO 2.5L†	AIR TANK 2.5L†	
4	F06R2108	1	NIPPLES CONICO 1/4"	1/4" NIPPLE	
5	F06R9039	1	REGOLATORE DI PRESSIONE 1/4"	PRESSURE REGULATOR 1/4"	
6	F06R2213	1	MANOMETRO	MANOMETER	
7	F06R9041	1	INNESTO RAPIDO ATT. M 1/4	1/4" QUICK CONNECTION	
8	F06R9075	1	VALVOLA SICUREZZA 1/4" 11 BAR/159,5 PSI ASME	1/4" SAFETY VALVE 11 BAR/159,5 PSI ASME	
9	F06R2231	1	RACCORDO T MFF 1/4" FEMMINA AL CENTRO	1/4" T FITTING WITH CENTER FEMALE	
10	F06R2320	1	RACCORDO DIRITTO 1/4" M	1/4" STRAIGHT MALE FITTING	
11	F06R0286	1	TUBO USCITA ARIA	PIPE AIR EXIT	
12	F06R2237	1	RACCORDO 90° 1/4 M	1/4" MALE FITTING 90°	

(\*) Ricambi consigliati  
*Recommended spare parts*

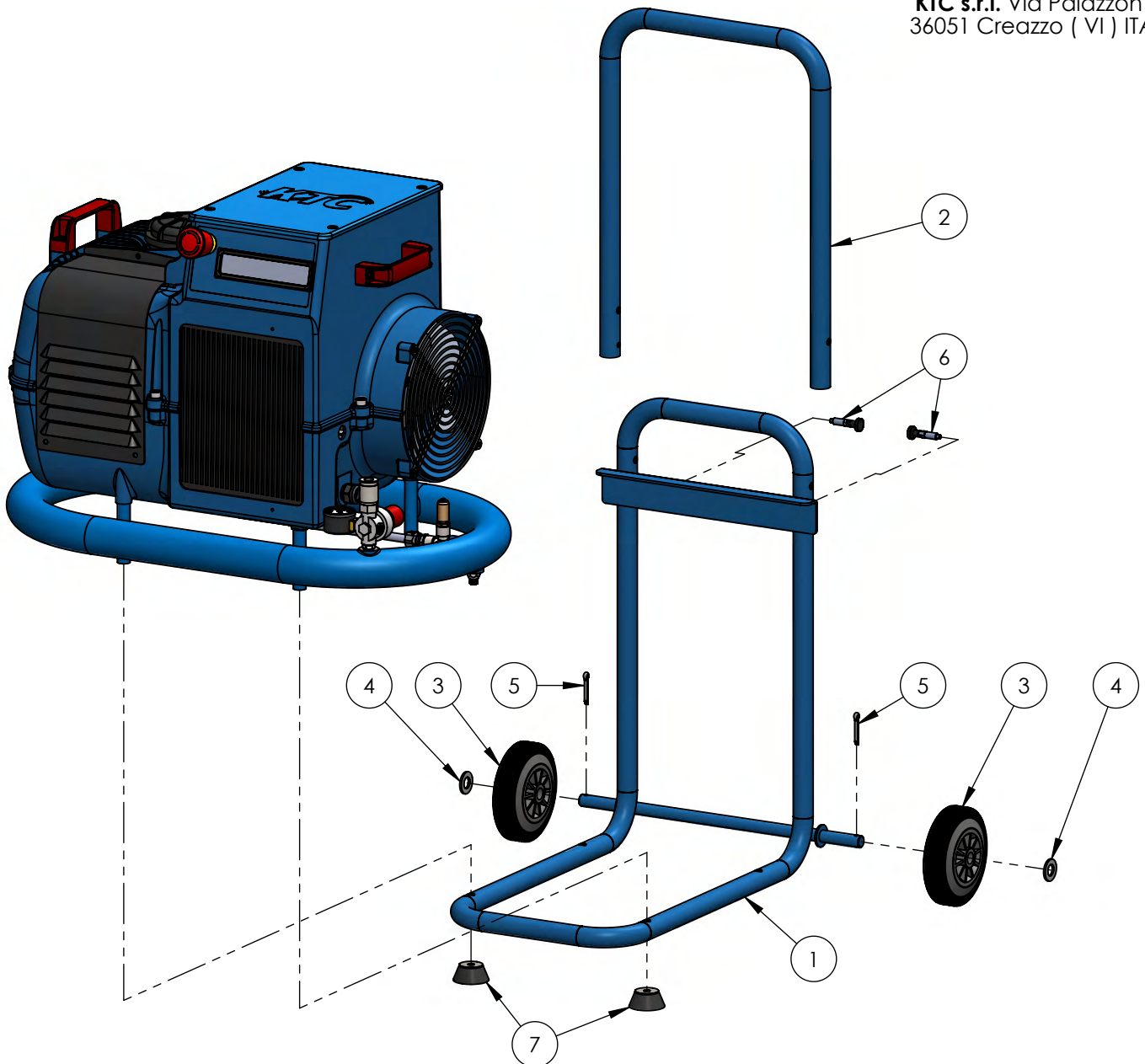
TIPO **Ricambi versione serbatoio 2.5l†**  
TYPE *Air Tank version 2.5l† spare parts*

CODICE **COMPACT 2 SPECIAL**  
CODE

DATA **02/2022**  
DATE

REVISIONE **00**  
REVISION



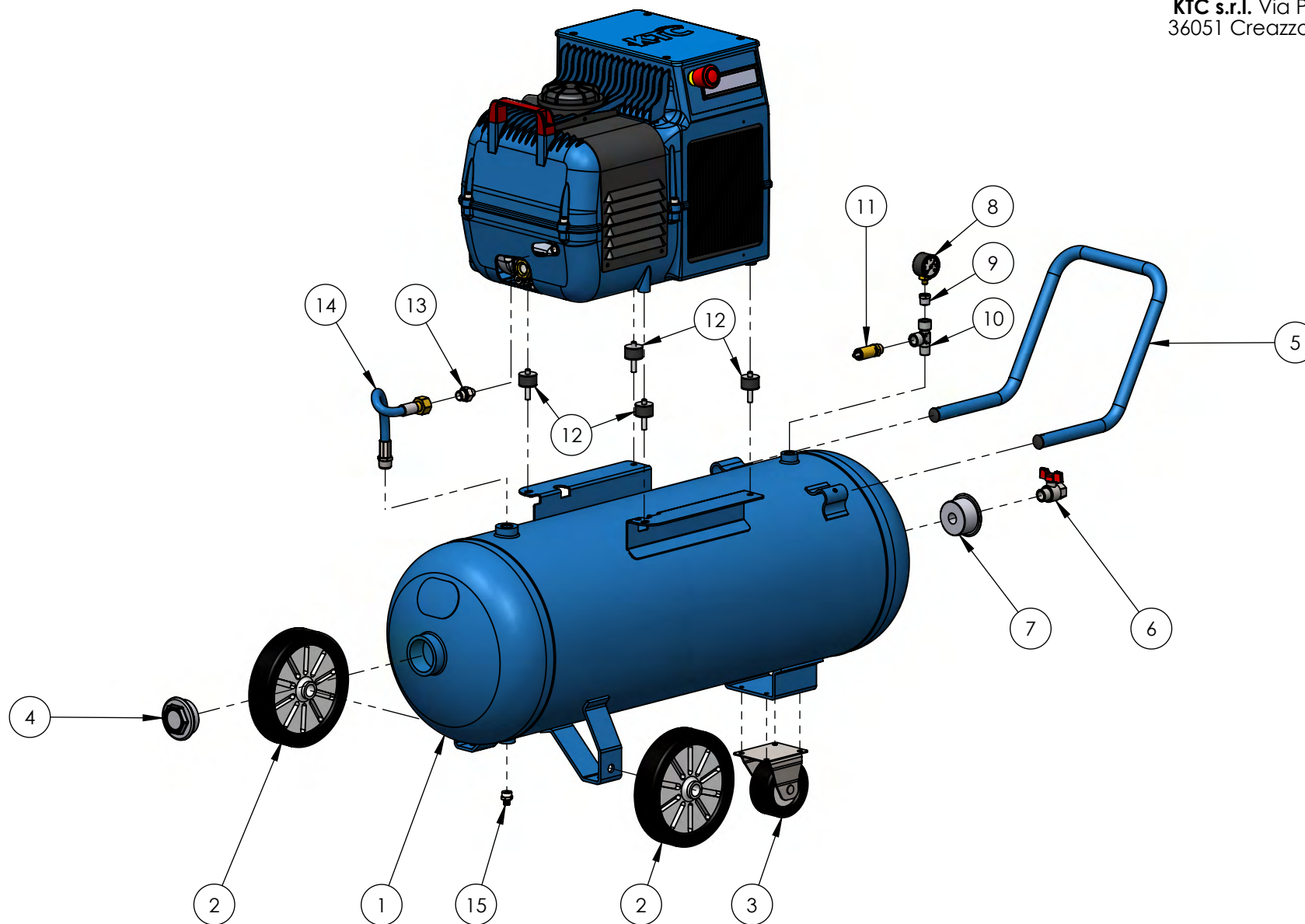


N°	Codice Code	Q.tà Q.ty	Descrizione	Description	(*) Rec.
1	A01Z2401	1	TELAIO COMPLETO COMPACK SPECIAL TROLLEY	COMPLETE FRAME COMPACK SPECIAL TROLLEY	
2	A01Z2402	1	MANICO TELAIO COMPACK SPECIAL TROLLEY	FRAME HANDLE COMPACK SPECIAL TROLLEY	
3	F06R7381	2	RUOTA	WHEEL	
4	F06R7069	2	RONDELLA	WASHER	
5	F06R7148	2	COPPIGLIA	COTTER PIN	
6	F06R7300	2	PISTONCINO A MOLLA	SPRING PISTON	
7	F06R7362	2	PIEDINO ANTIVIBRANTE A VENTOSA	ANTIVIBRATION	

(\*) Ricambi consigliati  
Recommended spare parts

TIPO TYPE	<b>Ricambi versione trolley</b> Trolley version spare parts	CODICE CODE	<b>COMPACK 2 SPECIAL</b>	DATA DATE	02/2022	REVISIONE REVISION	00
--------------	--	----------------	--------------------------	--------------	---------	-----------------------	----





TIPO <b>Ricambi versione serbatoio 90lt</b> TYPE <i>Air Tank version 90lt spare parts</i>	CODICE CODE	<b>COMPACK 2 SPECIAL</b>	DATA DATE 02/2022	REVISIONE REVISION 00
--	----------------	--------------------------	----------------------	--------------------------



KTC s.r.l. Via Palazzon 70  
36051 Creazzo (VI) ITALY

N°	Codice Code	Q.tà Q.ty	Descrizione	Description	(*) Rec.
1	H08P0261	1	SERB. ARIA 90lt 11bar ASME Ø350	AIR TANK 90lt Ø350 11bar ASME	
2	F06R7045	2	RUOTA POSTERIORE SERBATOIO	REAR WHEEL TANK	
3	F06R7044	1	RUOTA PIROETTANTE ANTERIORE SERBATOIO	FRONT ROTATING WHEEL	
4	F06R2185	1	TAPPO TEF 2"	PLUG G2"	
5	H08P0206	1	MANICO PER MOVIMENTAZIONE SERBATOIO	HANDLE FOR TANK HANDLING	
6	F06R9007	1	RUBINETTO A SFERA MF 1/2" A FARFALLA	1/2" SPHERE VALVE	
7	F06R2186	1	RIDUZIONE FL 2" X 1/2"	FL 2" x 1/2" REDUCING CONNECTOR	
8	F06R2002	1	MANOMETRO	MANOMETER	
9	F06R7060	1	RIDUZIONE 3/8"x1/4"	3/8"x1/4" REDUCTION	
10	F06R2191	1	RACCORDO T MFF 3/8" FEMMINA AL CENTRO	3/8" T FITTING WITH CENTER FEMALE	
11	F06R9076	1	VALVOLA SICUREZZA 3/8" 11 BAR/159,5 PSI ASME	SAFETY VALVE 3/8" 11 BAR/159,5 PSI ASME	
12	F06R7371	4	ANTIVIBRANTE M-F	ANTIVIBRATION M-F	
13	F06R2234	1	NIPPLES RIDOTTO SVASATO 3/8" x 1/4"	3/8" - 1/4" NIPPLE	
14	F06R0135	1	TUBO FLEX 3/8" Fx3/8" - Mx1/2"	3/8" AIR HOSE Fx3/8" - Mx1/2"	
15	F06R9016	1	RUBINETTO SPURGO 3/8"	3/8" DRAIN VALVE	

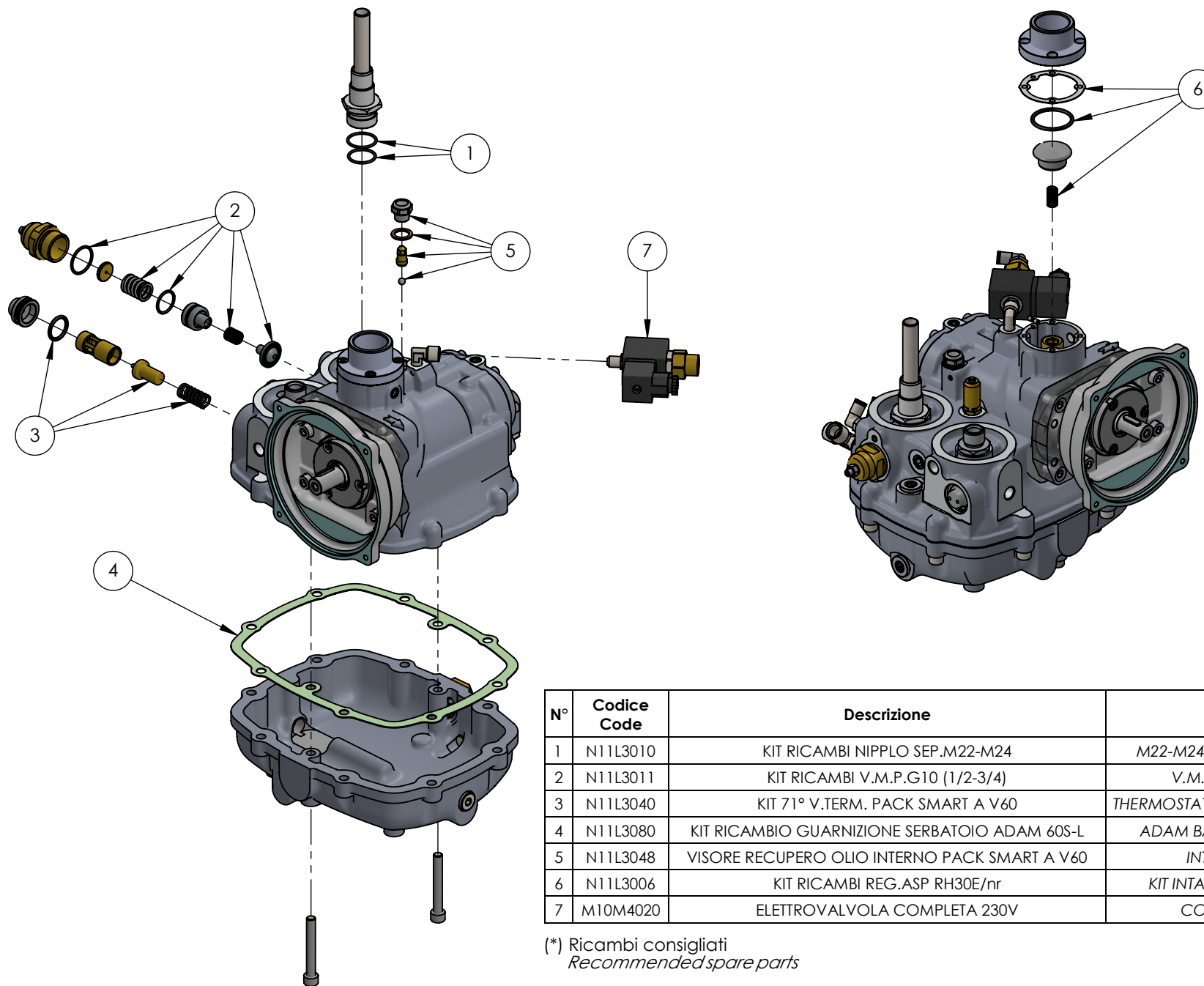
(\*) Ricambi consigliati  
*Recommended spare parts*

TIPO **Ricambi versione serbatoio 90lt**  
TYPE *Air Tank version 90lt spare parts*

CODICE **COMPACT 2 SPECIAL**  
CODE

DATA **02/2022**  
DATE

REVISIONE **00**  
REVISION



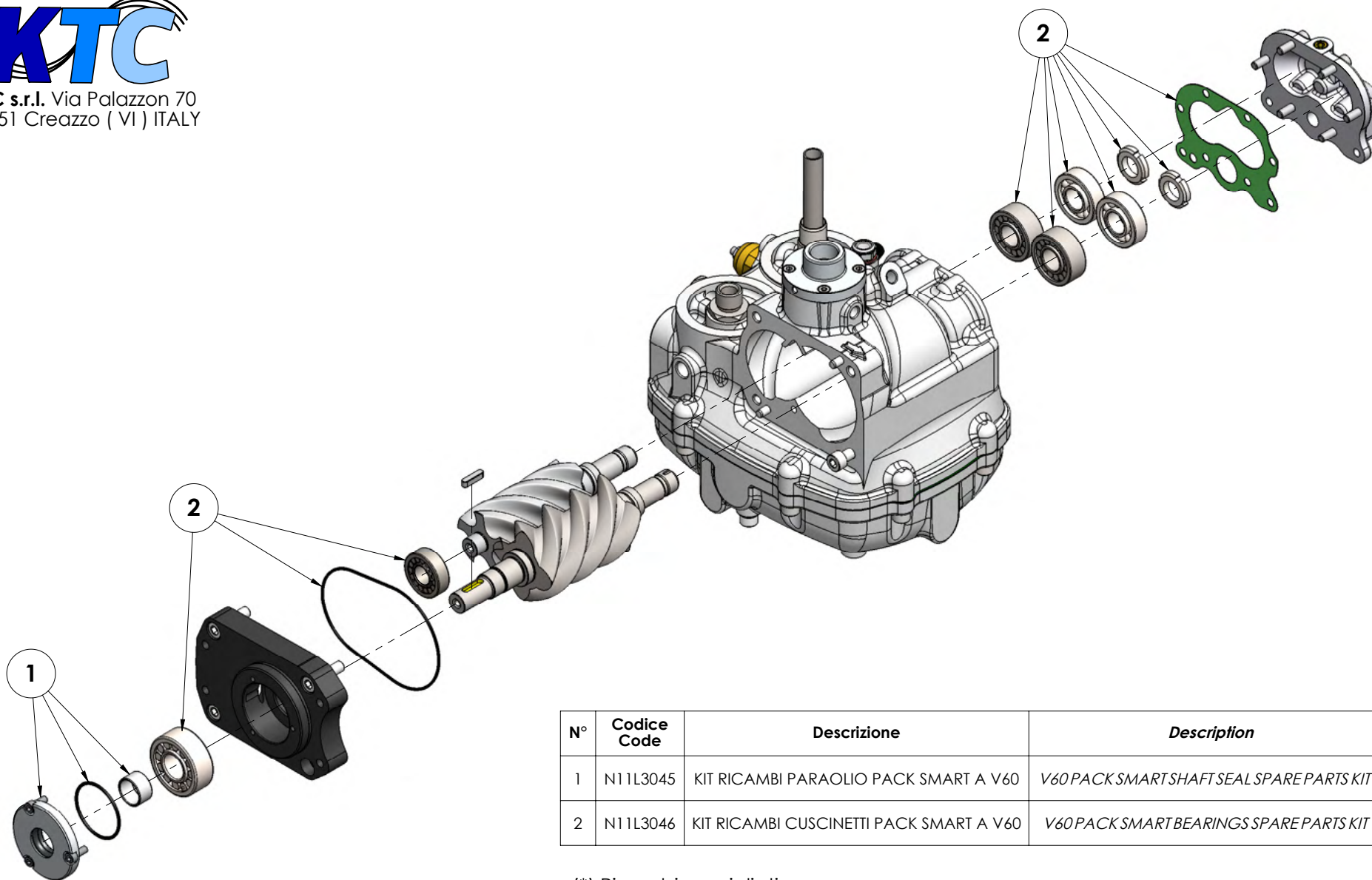
N°	Codice Code	Descrizione	Description	(*) Rec.
1	N11L3010	KIT RICAMBI NIPPLIO SEP.M22-M24	M22-M24 SEPARATOR NIPPLES SPARE PARTS KIT	
2	N11L3011	KIT RICAMBI V.M.P.G10 (1/2-3/4)	V.M.P. G10 (1/2-3/4) SPARE PARTS KIT	1
3	N11L3040	KIT 71° V.TERM. PACK SMART A V60	THERMOSTATIC VALVE SPARE PARTS KIT ADAM 60 71°	1
4	N11L3080	KIT RICAMBIO GUARNIZIONE SERBATOIO ADAM 60S-L	ADAM BASE FLANGE O-RING SPARE PARTS KIT	
5	N11L3048	VISORE RECUPERO OLIO INTERNO PACK SMART A V60	INTERNAL OIL RECOVERY VIEWER	
6	N11L3006	KIT RICAMBI REG.ASP RH30E/nr	KIT INTAKE VALVE RH30E-nr SPARE PARTS KIT	1
7	M10M4020	ELETTOVALVOLA COMPLETA 230V	COMPLETE SOLENOID VALVE 230V	

(\*) Ricambi consigliati  
Recommended spare parts

TIPO TYPE	<b>Ricambi gruppo ADAM 60</b> ADAM 60 spare parts	CODICE CODE	<b>COMPACT 2 SPECIAL</b>	DATA DATE	02/2022	REVISIONE REVISION	00
--------------	--	----------------	--------------------------	--------------	---------	-----------------------	----



KTC s.r.l. Via Palazzon 70  
36051 Creazzo (VI) ITALY



N°	Codice Code	Descrizione	Description	(*) Rec
1	N11L3045	KIT RICAMBI PARAOLIO PACK SMART A V60	V60 PACK SMART SHAFT SEAL SPARE PARTS KIT	
2	N11L3046	KIT RICAMBI CUSCINETTI PACK SMART A V60	V60 PACK SMART BEARINGS SPARE PARTS KIT	

(\*) Ricambi consigliati  
*Recommended Spare Parts*



**KTC s.r.l.** Via Palazzon 70  
36051 Creazzo ( VI ) ITALY

HOURS	RICAMBI	SPARE PARTS	MAINTENANCE KIT
1000	Filtro aria Filtro Olio Filtro Disoleatore	Inlet Filter Cartridge Oil filter Air/oil separator filter	N11L0504
1000	Filtro aria Filtro Olio Filtro Disoleatore Olio	Inlet Filter Cartridge Oil filter Air/oil separator filter Oil	N11L0428
4000	Filtro aria Filtro Olio Filtro Disoleatore Kit valvola termostatica Kit valvola minima pressione Kit regolatore aspirazione	Inlet Filter Cartridge Oil filter Air/oil separator filter Thermostatic Valve Spare Parts Kit minimum pressure valve spare parts kit Intake Valve Spare Parts Kit	N11L0505
4000	Filtro aria Filtro Olio Filtro Disoleatore Olio Kit valvola termostatica Kit valvola minima pressione Kit regolatore aspirazione	Inlet Filter Cartridge Oil filter Air/oil separator filter Oil Thermostatic Valve Spare Parts Kit minimum pressure valve spare parts kit Intake Valve Spare Parts Kit	N11L0503

TIPO **Kit manutenzione**  
TYPE *Maintenance Kit*

CODICE  
CODE

**COMPACT 2 SPECIAL**

DATA  
DATE 02/2022

REVISIONE  
REVISION 00