

## Medical Sterile Filters

### Features

- Manufactured to exceed the requirements for medical gas pipeline systems.
- Meets ISO 7396-1, HTM 02-01 and 2018 revision of NFPA (5.1.3.7.4).
- Housing manufactured from cast aluminum alloy providing enhanced strength and feature an E-Coat™ finish for optimum internal and external corrosion protection.
- Optimized seal ensure zero leakage and ease of bowl removal during element replacement.
- Easy to service, unique push fit elements ensure quick and simple maintenance.
- Designed in accordance with ASME pressure vessels.
- Carries CRN (Canadian Registration Numbers) for approved use in every province of Canada).
- 10 year housing warranty
- Applications include dental, medical and veterinary.



### Designed for Autoclave Sterilization



Guaranteed for a minimum of 100 sterilizations at 248°F; stainless steel endcaps for compatibility with autoclave sterilization.

### Peace of Mind



"Dead Stop" bowl feature provides full closure without over tightening.

# nano F<sup>1.1</sup>: Medical Sterile Filters

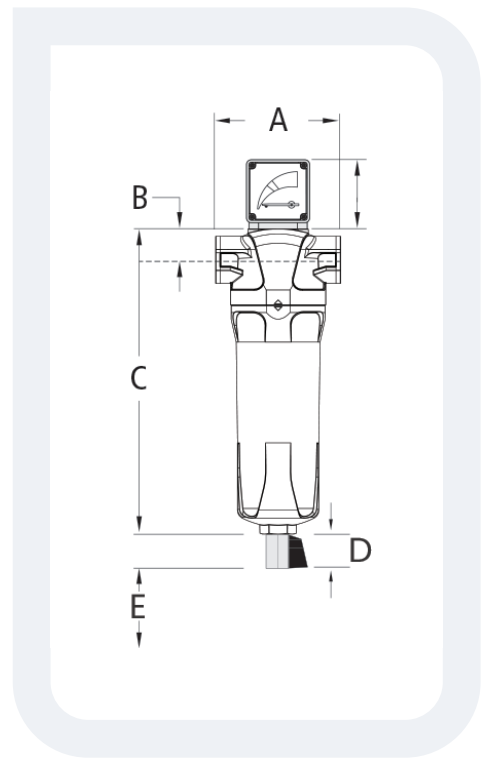
MODEL	INLET & OUTLET		RATED FLOW <sup>(1)</sup>		DIMENSIONS (INCHES)				APPROX. WEIGHT	REPLACEMENT ELEMENT
	NPT	SCFM	A	B	C <sup>(2)</sup>	D	E	LBS	PART NO.	
GMS 0006	1/8"	6	1.97	0.67	6.18	1.1	10.5	0.6	GE 0015 MS	
GMS 0015	1/4"	15	1.97	0.67	6.18	1.1	10.5	0.6	GE 0015 MS	
GMS 0025	1/4"	25	2.76	0.95	9.09	1.1	13.4	1.3	GE 0032 MS	
GMS 0032	3/8"	32	2.76	0.95	9.09	1.1	13.4	1.3	GE 0032 MS	
GMS 0050	1/2"	50	2.76	0.95	9.09	1.1	13.4	1.3	GE 0050 MS	
GMS 0070	1/2"	70	5.0	1.26	11.22	1.18	15.6	3.7	GE 0105 MS	
GMS 0085	3/4"	85	5.0	1.26	11.22	1.18	15.6	3.7	GE 0105 MS	
GMS 0105	1"	105	5.0	1.26	11.22	1.18	15.6	3.7	GE 0105 MS	
GMS 0125	3/4"	125	5.0	1.26	14.61	1.18	19.0	4.4	GE 0175 MS	
GMS 0175	1"	175	5.0	1.26	14.61	1.18	19.0	4.4	GE 0175 MS	
GMS 0280	1 1/4"	280	5.51	1.58	18.7	1.18	23.1	6.6	GE 0325 MS	
GMS 0325	1 1/2"	325	5.51	1.58	18.7	1.18	23.1	10.8	GE 0325 MS	
GMS 0450	2"	450	6.69	2.09	20.0	1.18	24.4	10.8	GE 0450 MS	
GMS 0700	2"	700	6.69	2.09	27.87	1.18	32.2	12.1	GE 0700 MS	
GMS 0850	2 1/2"	850	8.66	2.76	28.98	1.18	33.4	23.1	GE 0900 MS	
GMS 0900	3"	900	8.66	2.76	28.98	1.18	33.4	23.1	GE 0900 MS	
GMS 1250	3"	1250	8.66	2.76	33.74	1.18	38.1	25.4	GE 1250 MS	
GMS 1500	3"	1500	8.66	2.76	39.57	1.18	43.9	27.6	GE 1500 MS	

SPECIFICATIONS	0006 TO 0015	0025 TO 050	0070 TO 1500
Differential Pressure indicator / gauge (part no.)	-	indicator GFDP 0050	gauge GFDP 1500
Condensate drain	GFMDK 0050	GFMDK 0050	GFMDK 1500
Filter housing material	cast aluminum with E-Coat™ & powder top coat finish		
Design operating pressure range (psig)	22 to 300		
Design operating temperature range (°F)	35 to 248		

ELEMENT PERFORMANCE	MS
DOP efficiency <sup>(3)</sup>	>99.9999%
Particle removal (micron) <sup>(4)</sup>	0.01
Recommended operating temperature range (°F)	35 to 212
Design operating temperature range (°F)	35 to 248
Maximum autoclave temperature (°F) <sup>(5)</sup>	273
Pressure drop - clean (psid)	1.5
Pressure drop - recommended replacement (psid)	6.0
Endcap material	stainless steel
Flow direction through element	outside to inside
Maximum steam sterilization cycles	100
Maximum element life	6 months or 1000 hours

- (1) At 100 psig. For all other pressures, contact support@nano-purification.com.
- (2) Differential pressure indicator adds 1.65" to height. Differential pressure gauge adds 2.8" to height.
- (3) As specified in HTM 02-01 medical gas pipeline systems.
- (4) Per IS 8573.1:2010.
- (5) Applies to the element only.

Technical specifications subject to change without notice.  
 Publication Reference: GMS-US-EN-Version-000  
 ©2024 Air & Gas Solutions LLC



**nano**  
 Experience. Customer. Service.

nano-purification solutions  
 www.nano-purification.com

United States  
 Charlotte, North Carolina  
 Phone: +1 704 897 2182  
 Email: support@nano-purification.com

United States | Canada | United Kingdom | Germany | Singapore