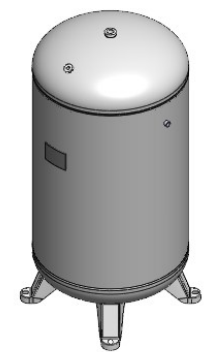
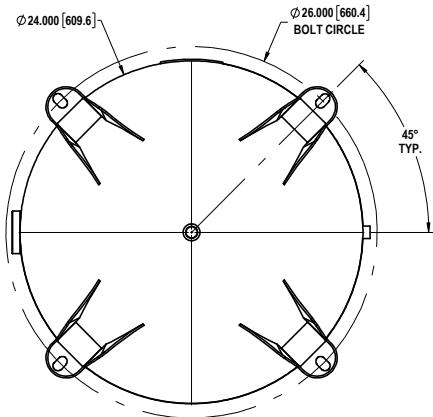
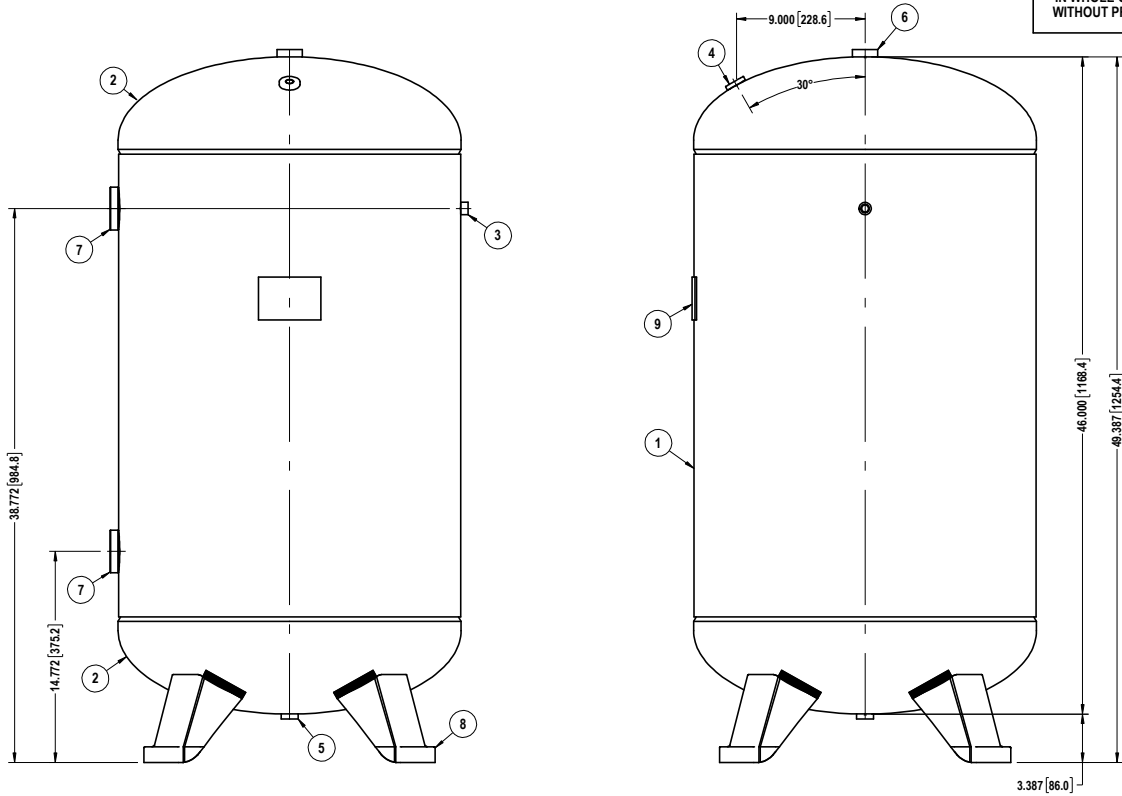


THIS DRAWING & SPECIFICATIONS ARE PROPERTY OF MORGANTON PRESSURE VESSELS AND MAY NOT BE COPIED, REPRODUCED, OR USED IN WHOLE OR PART, AS A BASIS FOR DESIGN MANUFACTURE OR SALE WITHOUT PRIOR PERMISSION FROM MORGANTON PRESSURE VESSELS.

| DESIGN INFORMATION |                   |
|--------------------|-------------------|
| SPECIFICATION      | VALUE             |
| DIAMETER (O.D.)    | 24.000"           |
| MAWP               | 200 PSI AT 650°F  |
| MDMT               | -20°F AT 200 PSI  |
| CAPACITY           | APPROX 80 GALLONS |
| APPROX. WEIGHT     | 162 LBS           |



| ITEM# | DESCRIPTION            | QTY. |
|-------|------------------------|------|
| 9     | NAME PLATE             | 1    |
| 8     | FOOT                   | 4    |
| 7     | 2" NPT COUPLING        | 2    |
| 6     | 3/4" NPT COUPLING      | 1    |
| 5     | 1/2" NPT COUPLING      | 1    |
| 4     | 1/4" NPT FLAT COUPLING | 1    |
| 3     | 1/4" NPT COUPLING      | 1    |
| 2     | HEAD                   | 1    |
| 1     | SHELL                  | 1    |

**MORGANTON**  
 80 GALLON VERTICAL VESSEL  
 -ASME-  
 SEC. VIII DIV. 1

TOLERANCES, IF NOT INDICATED, ACCORDING TO:  
 C-G SE 03.03 / 3  
 DWG. NO. VES04862

NOT FOR PRODUCTION USE