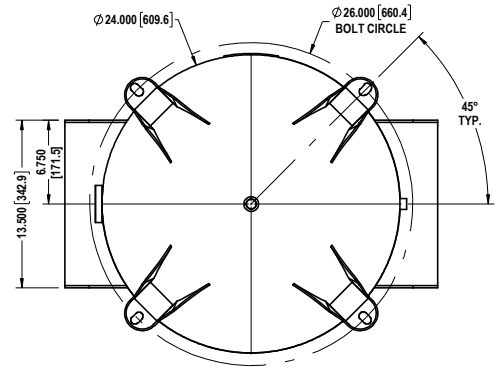
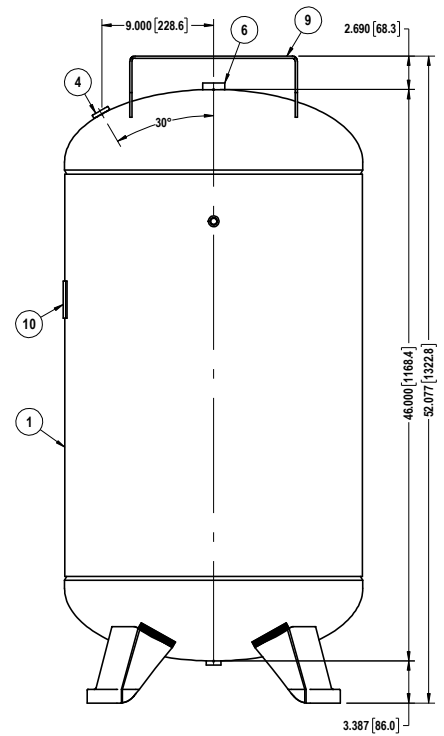
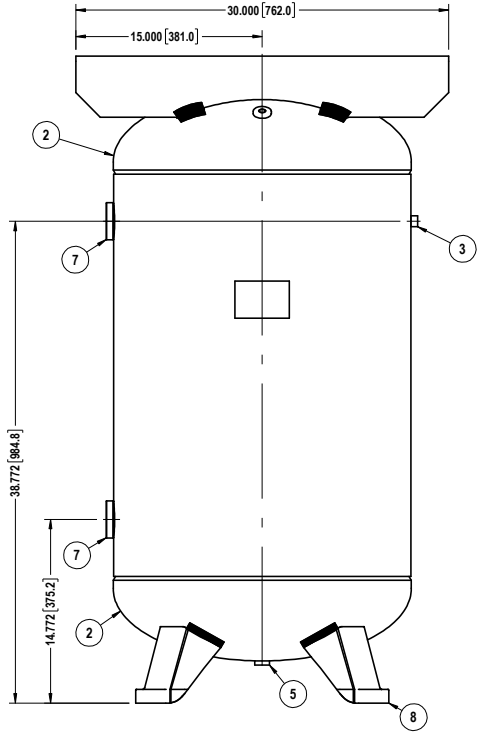


8 7 6 5 4 3 2 1

THIS DRAWING & SPECIFICATIONS ARE PROPERTY OF MORGANTON PRESSURE VESSELS AND MAY NOT BE COPIED, REPRODUCED, OR USED IN WHOLE OR PART, AS A BASIS FOR DESIGN MANUFACTURE OR SALE WITHOUT PRIOR PERMISSION FROM MORGANTON PRESSURE VESSELS.

DESIGN INFORMATION	
SPECIFICATION	VALUE
DIAMETER (O.D.)	24.000"
MAWP	200 PSI AT 650°F
MDMT	-20°F AT 200 PSI
CAPACITY	APPROX 80 GALLONS
APPROX. WEIGHT	195 LBS



ITEM#	DESCRIPTION	QTY.
10	NAME PLATE	1
9	TOP PLATE	1
8	FOOT	4
7	2" NPT COUPLING	2
6	3/4" NPT COUPLING	1
5	1/2" NPT COUPLING	1
4	1/4" NPT FLAT COUPLING	1
3	1/4" NPT COUPLING	1
2	HEAD	2
1	SHELL	1

MORGANTON
 80 GALLON VERTICAL VESSEL - ASME - SEC. VIII DIV. 1
 DWG. NO. VES04784
 C-G SE 03.03 / 3
 TOLERANCES, IF NOT INDICATED, ACCORDING TO:

NOT FOR PRODUCTION USE

8 7 6 5 4 3 2 1