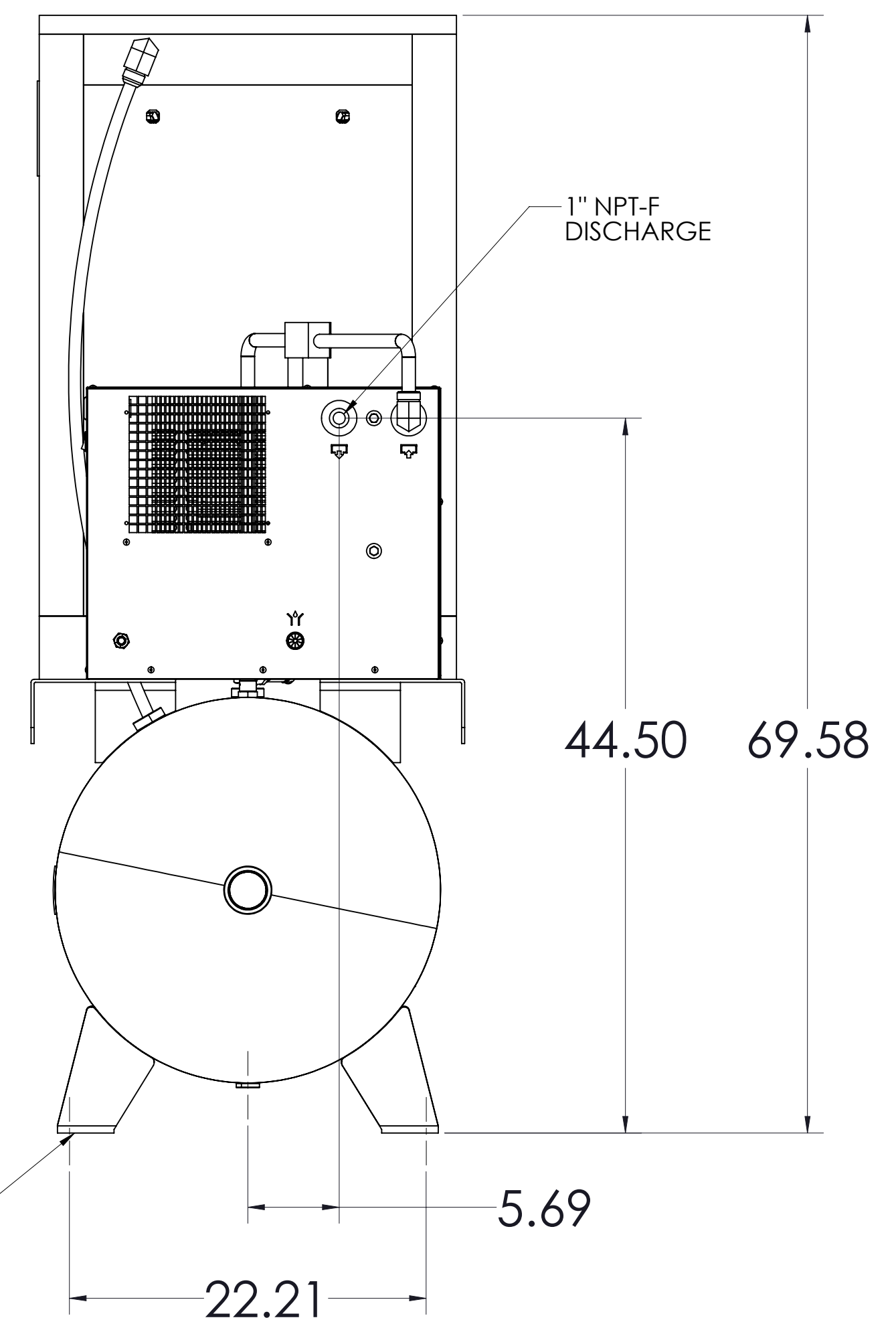
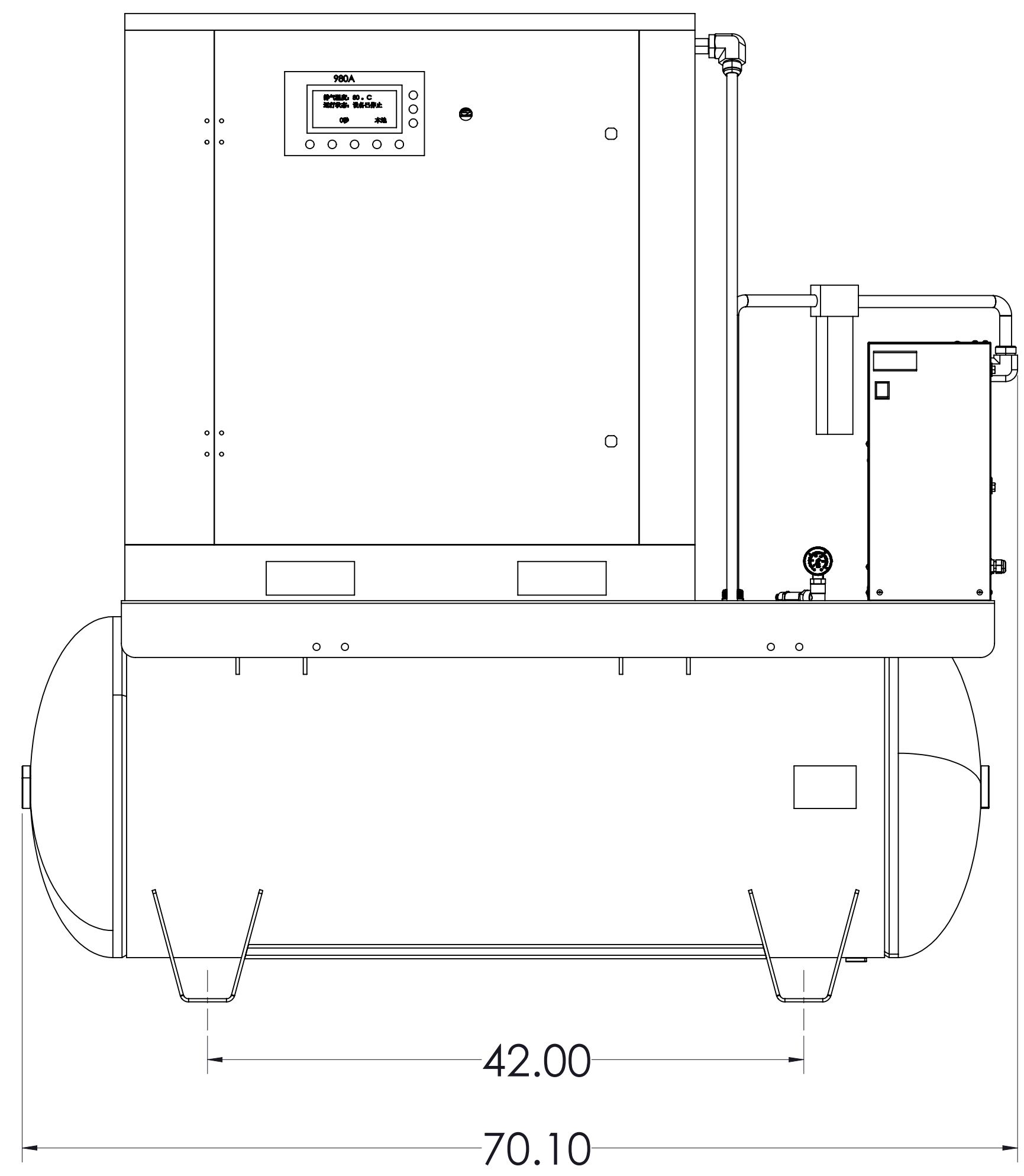
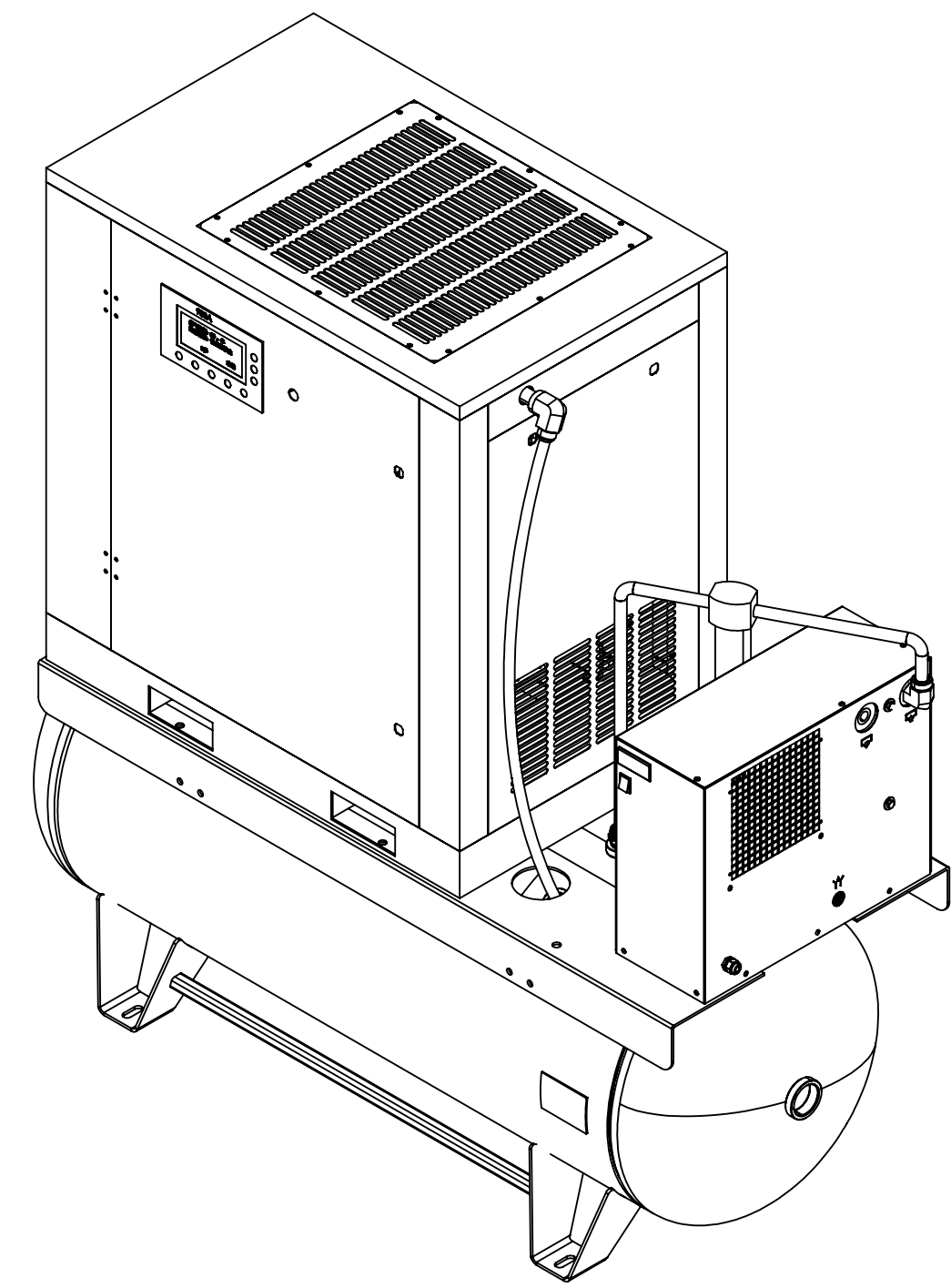
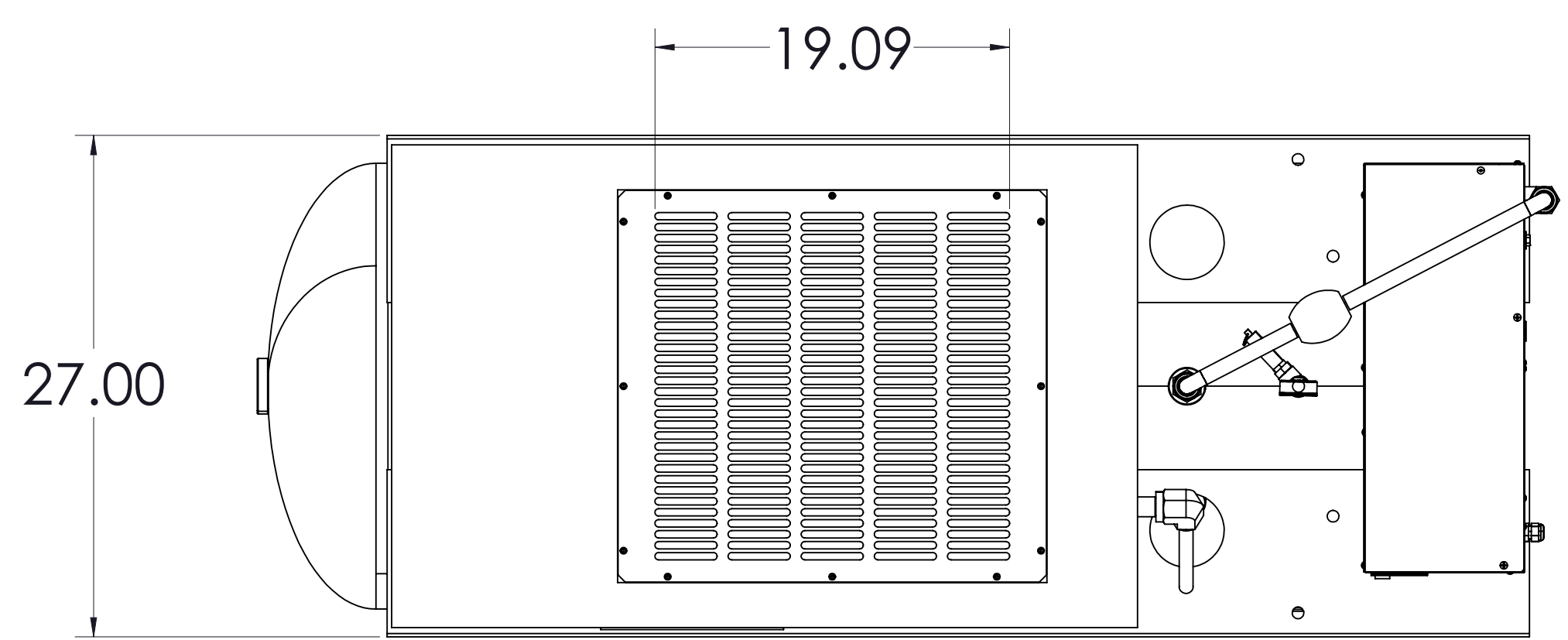


8 7 6 5 4 3 2 1

ZONE		REV.	REVISIONS DESCRIPTION	DATE	APVD



<p><b>KAISHAN</b></p> <p>PROPRIETARY AND CONFIDENTIAL</p> <p>THE INFORMATION CONTAINED IN THIS DRAWING IS THE SOLE PROPERTY OF KAISHAN COMPRESSOR. ANY REPRODUCTION IN PART OR AS A WHOLE WITHOUT THE WRITTEN PERMISSION OF KAISHAN COMPRESSOR IS PROHIBITED.</p>	UNLESS OTHERWISE SPECIFIED:	NAME	DATE	<b>Kaishan Compressor USA, LLC</b> TITLE: <b>KRSBT10</b> <b>KRSBT15</b> SIZE DWG. NO. REV <b>D 180001-003 B</b> SCALE: 1:20 WGT: 1678.71kg SHEET 1 OF 1	
	DIMENSIONS ARE IN IN	DRAWN	AKF		12/9/22
	TOLERANCES:	CHECKED			
	SURFACE FINISH 3.2	APPR.			
ANGULAR: MACH 5					
BEND 1.75					
TWO PLACE DECIMAL ±0.25					
THREE PLACE DECIMAL ±0.130					
INTERPRET GEOMETRIC TOLERANCING PER: ANSI Y14.5 MATERIAL					
FINISH	3RD ANGLE PROJECTION				
1ST USED ON:	DO NOT SCALE DRAWING				

8 7 6 5 4 3 2 1