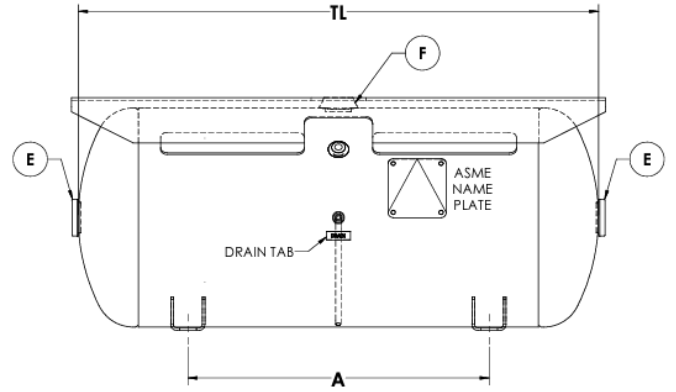
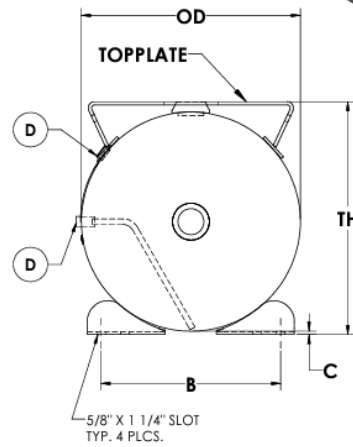
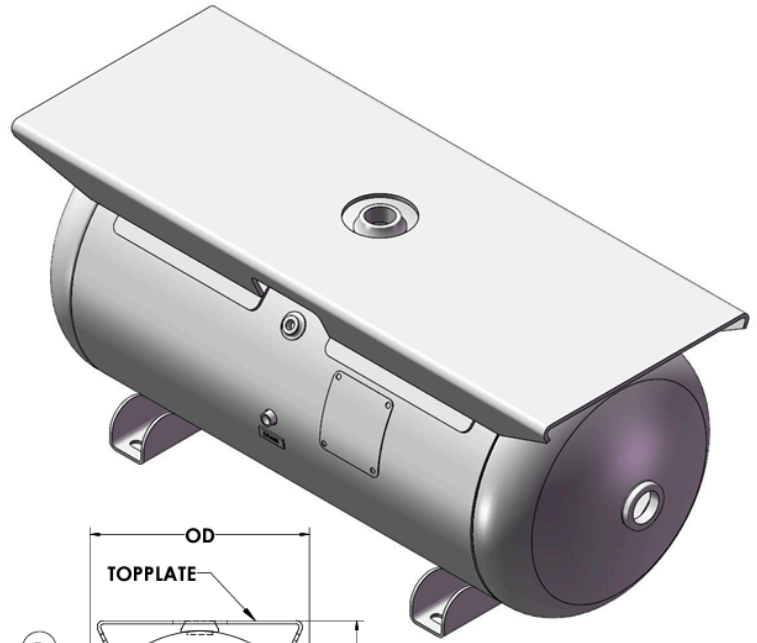
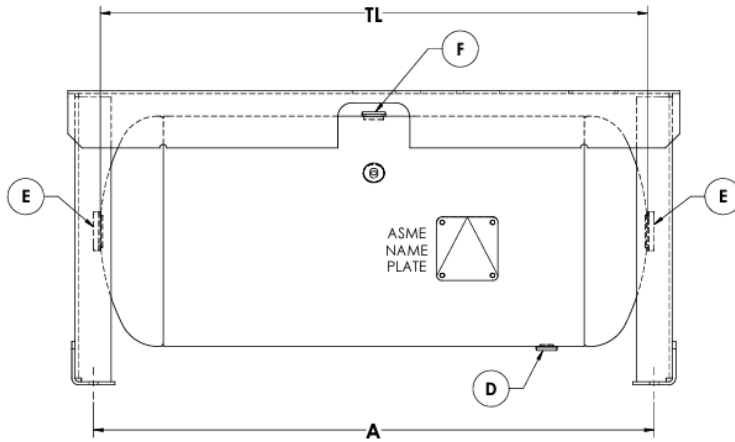
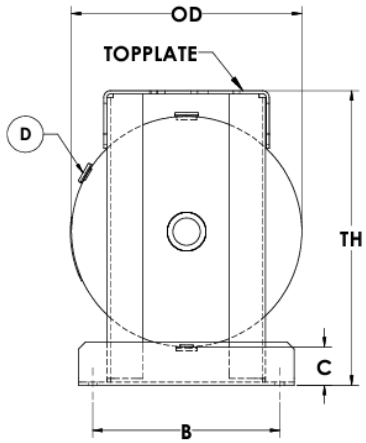
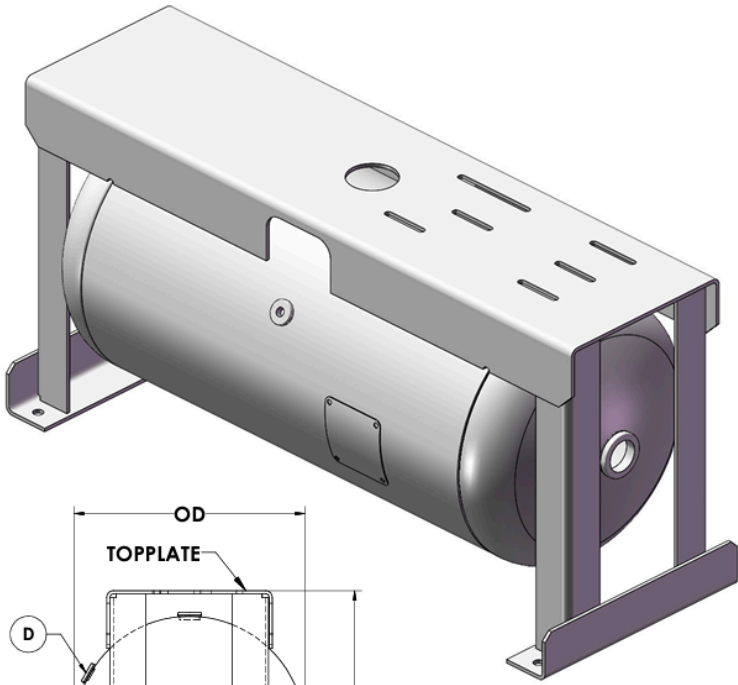


# Horizontal Gas Driven Tanks



Pressure Vessel & Air Receiver drawings available for download, visit [manchestertank.com](http://manchestertank.com).

NOM CAP		Part #	MAWP	Top Plate	TW*
Gal	Cu Ft				
30	4.01	34917	200	.25 x 11.5 x 42.5	161

DIMENSIONS IN INCHES						NPT OPENINGS		
OD	TL	TH	A	B	C	D	E	F
16	38	20.56	38.94	13.00	2.75	1/4	1 1/2	3/4

Part # 34917 approved for use in California

NOM CAP		Part #	MAWP	Top Plate	TW*
Gal	Cu Ft				
30	4.01	302472	200	.25 x 15 x 39	139

DIMENSIONS IN INCHES						NPT OPENINGS		
OD	TL	TH	A	B	C	D	E	F
16	38	17.19	22.00	13.13	0.31	1/4	1 1/2	1 1/4

\*Tank weight pounds is calculated, may vary slightly.