

DOOSAN
Portable Power

MORE THAN POWER.

**PORTABLE
AIR COMPRESSORS**

185 - 1600 cfm



TABLE OF CONTENTS

01

About Us

02

Powerful Solutions

03

FlexAir

» P185 - HP150

» P250 - MHP185

» XP185 - VHP165

05

Small Air

» C185

» P185 Utility

06

Medium Air

» P425/HP375

» HP450/VHP400

09

Large Air

» XP825/HP750

» HP915

» HP1600/VHP1400

» XP750

» XHP1170

11

Drill Modules

12

Reman

13

Doosan Portable Power
Full Line Overview

DOOSAN Portable Power

»»» ABOUT US

Doosan Portable Power has more than 100 years of manufacturing expertise and application experience, with a focus on providing the highest quality machines with unrivaled customer service. Our market leading product line of portable air compressors, mobile generators and light towers are proudly built in the USA.

Doosan Portable Power is headquartered in Statesville, North Carolina, and was established in 2007 when Doosan Infracore purchased Ingersoll-Rand's Utility Equipment division.

Today, Doosan Portable Power is a subsidiary of Doosan Bobcat Inc. Doosan Bobcat is an industry leader in the engineering, manufacturing and marketing of construction equipment, and also represents the Bobcat brand.

Doosan Bobcat is committed to delivering innovative products and services that provide quality and value.





POWERFUL SOLUTIONS

At Doosan Portable Power, we do more than provide superior products. We deliver powerful solutions to move your business forward. Robust portable air compressors that perform on the most demanding job sites. Mobile generators, light towers & light compaction equipment that are reliable and efficient. Factor in our industry-leading service and support, and it's quite clear that partnering with us is a smart return on your investment.

DEPENDABILITY

Our equipment is built to last with corrosion-resistant galvanneal steel enclosures and a durable, baked-on powder coat finish. Extensive testing at our Statesville, North Carolina facility includes a test track, tilt table, and cold chamber to ensure our machines will perform in the harshest conditions and applications.

Doosan is fully committed to delivering quality machines that maximize uptime and productivity to give you peace of mind.

*"The quality is a 10.
The durability is a 10."*

-Jack Anderson, Pape Material Handling

PERFORMANCE

Doosan Portable Power gives you the power you need in the most efficient manner. We provide leading fuel economy and performance while ensuring compliance with the latest emissions standards.

Doosan also offers unmatched versatility to support almost every job or application. And with user friendly controls and diagnostics, anyone can operate our equipment with minimal instruction.

"Doosan has always performed well for us."

-Mark Grimes, Industrial Marine

SERVICEABILITY

Doosan has an extensive and knowledgeable dealer network. Our dealer-partners have a deep understanding of your business and can provide the solutions you demand.

All of our products are engineered and designed with an emphasis on accessibility to make sure routine maintenance is quick and easy to perform without having to take the machine apart.

"Parts and service are always there when we need it."

-Mike Venuti, Meruelo Group

FLEXAIR

DOOSAN
Portable Power

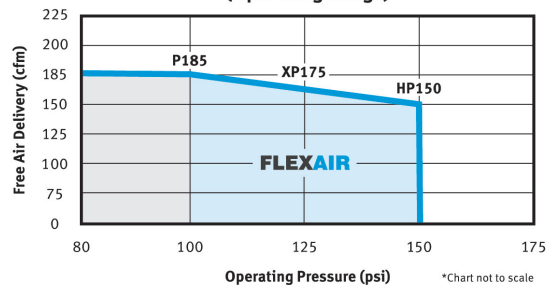
P185-HP150 | P250-MHP185 | XP185-VHP165



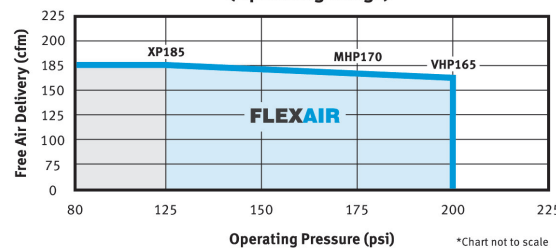
CHARGED WITH INDUSTRY-LEADING IMPACT FORCES

- » Ideal for general construction, abrasive blasting, pipeline pressure testing, and powering hand-held pneumatic tools
- » Powered by a Doosan D24 engine
- » Added stability on and off road with a robust frame, drawbar, and independent suspension
- » Durable engine start/push control with LED backlit gauges
- » Adjustable pressure and flow ratings to serve as multiple compressors in one
- » DOC diesel oxidation catalyst after-treatment system
- » Over 12 hrs of run-time with improved cold-starting capability
- » Quick & easy maintenance including spin-on oil separation system
- » Full-length toolbox with over 8,700 cubic inches of storage
- » Includes an optional 4kW onboard generator

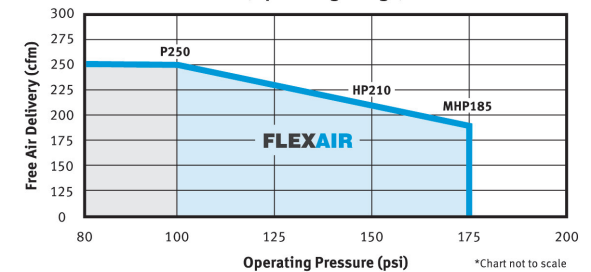
P185-HP150 Variable Flow and Pressure (Operating Range)



XP185-VHP165 Variable Flow and Pressure (Operating Range)



P250-MHP185 Variable Flow and Pressure (Operating Range)



MODEL	P185-HP150 _{WDO}	XP185-VHP165 _{WDO}	P250-MHP185 _{WDO}
COMPRESSOR ROTARY SCREW/SINGLE-STAGE			
Free-Air Delivery – cfm (m3/min)	185 (5.2)	185 (5.2)	250 (7.0)
Rated Operating Pressure – psig (bar)	100 (6.9)	125 (8.6)	100 (6.9)
Pressure Range – psig (bar)	80 – 150 (5.5 – 10.3)	80 – 200 (5.5 – 13.7)	80 – 175 (5.5 – 12.0)
Doosan FlexAir Flow Range*	184 – 150 (5.2 – 4.2)	184 – 165 (5.2 – 4.7)	249 – 185 (7.0 – 5.2)
Air Discharge Outlet NPT Size – in (mm)	0.75 (19)	0.75 (19)	0.75 (19)
Air Discharge Outlet Quantity	2	2	2
Fuel Tank Capacity – gal (L)	34.5 (130.6)	34.5 (130.6)	34.5 (130.6)
ENGINE			
Make/Model	Doosan D24	Doosan D24	Doosan D24
Emissions Tier Level	Tier 4 Final (T4F)	Tier 4 Final (T4F)	Tier 4 Final (T4F)
Number of Cylinders	4	4	4
Displacement – cu in (L)	147 (2.4)	147 (2.4)	147 (2.4)
Rated Speed – rpm	2600	2550	2550
Idle Speed – rpm	1400	1400	1400
Bhp @ Rated Speed (kW)	49 (36.6)	74 (55.2)	74 (55.2)
Electrical – volts	12	12	12
Hours of Operation @ Full Load	12.2	11	8.7
DIMENSIONS WITH RUNNING GEAR			
Length – in (mm)	137.4 (3490)	142.9 (3629)	142.9 (3629)
Width – in (mm)	68.5 (1740)	68.5 (1740)	68.5 (1740)
Height – in (mm)	67.5 (1715)	67.5 (1715)	67.7 (1715)
Track Width – in (mm)	60 (1524)	60 (1524)	60 (1524)
Tire Size – in	15	15	15
Shipping Weight – w/o fuel – lb (kg)	2269 (1029)	2353 (1067)	2353 (1067)
Working Weight – w fuel – lb (kg)	2477 (1124)	2594 (1176)	2594 (1176)
DIMENSIONS WITHOUT RUNNING GEAR			
Length – in (mm)	88.5 (2248)	94.6 (2403)	94.6 (2403)
Width – in (mm)	49.3 (1252)	49.3 (1252)	49.3 (1252)
Height – in (mm)	56.3 (1431)	56.3 (1431)	56.3 (1431)
Shipping Weight – w/o fuel – lb (kg)	2059 (934)	2143 (972)	2143 (972)
Working Weight – w fuel – lb (kg)	2267 (1028)	2384 (1081)	2384 (1081)

SMALL AIR

C185 | P185 UTILITY

C185



- » Reliable power, quality, performance, and serviceability
- » Cost efficient
- » Quick service and maintenance with a simple spin-on separator element
- » Cool-box airflow design directs heat away from unit to prolong life and minimize dust recirculation
- » Polymer canopy provides strength and easy-access to routine service
- » Ample toolbox and accessory storage
- » Effortless towing and maneuverability

» SERVICEABILITY

Easy lift canopy provides ample room to work when performing routine maintenance.

P185 UTILITY



- » Designed for above deck installation
- » Performance and serviceability with curbside digital controls and gauges
- » Quick view eye-level access for improved safety and convenience
- » High performance Doosan D24 engine with 49 HP
- » 10 hour runtime
- » Maximized engine uptime in hot conditions with a LAT of 130 degree

» EASE OF MAINTANACE

Doosan's patented spin-on oil separation system allows for an industry leading replacement time of under 2-minutes

MODEL	C185 _{WDO}	P185 _{WDOU}
COMPRESSOR ROTARY SCREW/SINGLE-STAGE		
Free-Air Delivery – cfm (m3/min)	185 (5.2)	185 (5.2)
Rated Operating Pressure – psig (bar)	100 (6.9)	100 (6.9)
Pressure Range – psig (bar)	80 – 100 (5.5 – 6.9)	80 – 125 (5.5 – 8.6)
Air Discharge Outlet NPT Size – in (mm)	0.75 (19)	0.75 (19)
Air Discharge Outlet Quantity	2	2
Fuel Tank Capacity – gal (L)	34.5 (130.6)	27 (102)
ENGINE		
Make/Model	Doosan D18	Doosan D24
Emissions Tier Level	Tier 4 Final (T4F)	Tier 4 Final (T4F)
Number of Cylinders	3	4
Displacement – cu in (L)	110 (1.8)	147 (2.4)
Rated Speed – rpm	2600	2600
Idle Speed – rpm	1700	1700
Bhp @ Rated Speed (kW)	49 (36.6)	49 (36.4)
Electrical – volts	12	12
Hours of Operation @ Full Load	12.6	12.2
DIMENSIONS WITH RUNNING GEAR		
Length – in (mm)	137.4 (3490)	N/A
Width – in (mm)	68.5 (1740)	N/A
Height – in (mm)	67.5 (1715)	N/A
Track Width – in (mm)	60 (1524)	N/A
Tire Size – in	13	N/A
Shipping Weight – w/o fuel – lb (kg)	2120 (962)	N/A
Working Weight – w fuel – lb (kg)	2359 (1070)	N/A
DIMENSIONS WITHOUT RUNNING GEAR		
Length – in (mm)	86.7 (2202)	84 (2133)
Width – in (mm)	52.3 (1328)	33.3 (846)
Height – in (mm)	57.8 (1468)	52.5 (1334.59)
Shipping Weight – w/o fuel – lb (kg)	1905 (864)	2034 (922)
Working Weight – w fuel – lb (kg)	2144 (973)	2300 (1043.3)

MEDIUM AIR

P425/HP375 | HP450/VHP400



- » Cummins 3.8L engine
- » Corrosion-resilient galvanneal steel enclosure
- » A-frame drawbar and heavy duty axles
- » Thermostatic cooling fan reduces noise and cuts fuel costs by an average of 10% (in cold weather conditions)
- » Dual pressure and flow options
- » Compact unit easily switches from low to high pressure
- » Five gallon diesel exhaust fluid tank
- » State-of-the-art control panel with a small footprint for easier operation
- » Doosan's efficient airend demands less horsepower for high-volume cfm output

» FUEL SAVINGS

An electronically controlled engine-driven cooling fan with a hydraulic clutch improves fuel efficiency and reduces noise.

» PRODUCTIVITY

The Doosan designed and manufactured DSN275 airend is efficient and delivers the high-volume cfm output to power applications like sand blasting.

MODEL	P425/ HP375WCU		HP450/ VHP400WCU	
	LOW	HIGH	LOW	HIGH
COMPRESSOR ROTARY SCREW/SINGLE-STAGE				
Free-Air Delivery – cfm (m3/min)	425 (12.0)	375 (10.6)	450 (12.7)	400 (11.3)
Rated Operating Pressure – psig (bar)	100 (6.9)	150 (10.3)	150 (10.3)	200 (13.8)
Pressure Range – psig (bar)	80 - 175 (5.5 - 12.1)		80 - 225 (5.5 - 15.5)	
Air Discharge Outlet NPT Size – in (mm)	1.25 (31.8)		1.25 (31.8)	
Air Discharge Outlet Quantity	1		1	
Fuel Tank Capacity – gal (L)	60 (227)		60 (227)	
ENGINE				
Make/Model	Cummins/F3.8L		Cummins/F3.8L	
Emissions Tier Level	Tier 4 Final (T4F)		Tier 4 Final (T4F)	
Number of Cylinders	4		4	
Displacement – cu in (L)	231 (3.8)		231 (3.8)	
Rated Speed – rpm	2300	2075	2500	2250
Idle Speed – rpm	1500		1500	
Bhp @ Rated Speed (kW)	135 (100.6)	134 (99)	173 (129)	172 (128)
Electrical – volts	24		24	
Hours of Operation @ Full Load	10	9	8	8
DIMENSIONS WITH RUNNING GEAR				
Length – in (mm)	152.5 (3874)		152.5 (3874)	
Width – in (mm)	78.2 (1986)		78.2 (1986)	
Height – in (mm)	69.9 (1775)		69.9 (1775)	
Track Width – in (mm)	66.6 (1692)		66.6 (1692)	
Tire Size – in	15		15	
Shipping Weight – w/o fuel – lb (kg)	4334 (1966)		4334 (1966)	
Working Weight – w fuel – lb (kg)	4776 (2166)		4776 (2166)	
DIMENSIONS WITHOUT RUNNING GEAR				
Length – in (mm)	104.2 (2647)		104.2 (2647)	
Width – in (mm)	60.7 (1542)		60.7 (1542)	
Height – in (mm)	61 (1549)		61 (1549)	
Shipping Weight – w/o fuel – lb (kg)	4071 (1846)		4071 (1846)	
Working Weight – w fuel – lb (kg)	4513 (2047)		4513 (2047)	

LARGE AIR (LOW)

XP825/HP750 | HP915

XP825/HP750



- » Intuitive machine diagnostics, low cost of ownership, job flexibility
- » Cummins engine
- » Robust drawbar and axles with corrosion resistant steel enclosure
- » Low to High pressure at the touch of a button
- » Thermostatic, clutch-driven cooling fan minimizes noise and fuel costs
- » 100 gallon fuel tank with nine hours of run time
- » Doosan's high-efficiency airend offers high-volume cfm output with less horsepower
- » Diesel oxidation catalyst with selective catalytic reduction virtually eliminates emissions maintenance with no regeneration cycles

HP915



- » Built for rugged conditions
- » Unparalleled serviceability for maximum uptime
- » Easy operation with centralized fluid drain locations
- » Detailed control panel with more preloaded resources than any other model
- » Compact yet powerful offering over 9 hours of reliable runtime
- » Doosan's patented IQ system for instrument quality air and zero discharge condensate removal

MODEL	XP825/ HP750WCU		HP915WCU
	LOW	HIGH	
COMPRESSOR ROTARY SCREW/SINGLE-STAGE			
Free-Air Delivery – cfm (m3/min)	825 (23.4)	750 (21.2)	915 (25.9)
Rated Operating Pressure – psig (bar)	125 (8.6)	150 (10.3)	150 (10.3)
Pressure Range – psig (bar)	80-175 (5.5-12.1)		80 - 175 (5.5 - 12.1)
Air Discharge Outlet NPT Size – in (mm)	2-inch NPT (50.8)		2 (50.8)
Air Discharge Outlet Quantity	1		1
Fuel Tank Capacity – gal (L)	100 (379)		128 (485)
ENGINE			
Make/Model	Cummins/QSB6.7		Cummins/B6.7
Emissions Tier Level	Tier 4 Final (T4F)		Tier 4 Final (T4F)
Number of Cylinders	6		6
Displacement – cu in (L)	408 (6.7)		408 (6.7)
Rated Speed – rpm	2100	1935	1800
Idle Speed – rpm	1300		1200
Bhp @ Rated Speed (kW)	266 (198)	262 (195)	298 (222)
Electrical – volts	24		24
Hours of Operation @ Full Load	9.1	9.3	9.2
DIMENSIONS WITH RUNNING GEAR			
Length – in (mm)	203 (5164)	226.6 (5748)	
Width – in (mm)	90.2 (2291)	82.6 (2098)	
Height – in (mm)	88.5 (2248)	101.3 (2573)	
Track Width – in (mm)	80.3 (2040)	69.3 (1760)	
Tire Size – in	15		16
Shipping Weight – w/o fuel – lb (kg)	8620 (3910)		9789 (4440)
Working Weight – w fuel – lb (kg)	9330 (4230)		10692 (4849)
DIMENSIONS WITHOUT RUNNING GEAR			
Length – in (mm)	152.4 (3871)	171 (4343)	
Width – in (mm)	80.6 (2047)	83 (2108)	
Height – in (mm)	79 (2007)	95 (2413)	
Shipping Weight – w/o fuel – lb (kg)	7840 (3560)		8642 (3920)
Working Weight – w fuel – lb (kg)	8550 (3880)		9855 (4470)

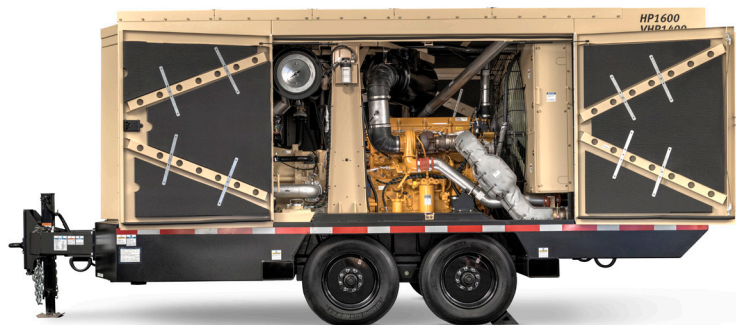
» INSTRUMENT QUALITY AIR

We offer clean air systems – compressors, aftercoolers and water separation – that enable you to precisely meet ISO standards for your industry.

HP1600/VHP1400

CUMMINS | CAT

HP1600/VHP1400



- » Designed for long-term use and maximum productivity
- » Newly redesigned, even more compact footprint
- » Equipped with two tier 4 final compliant engine options
- » Cummins QSX15 or CAT C13B
- » Environmentally friendly containment basin offers 110% fluid containment
- » Coolbox design prolongs system life and eliminates lengthy cool-downs
- » Enhanced ViewPort control panel, easy access manuals, and full color back-lit LED displays
- » Industry leading service intervals

MODEL	HP1600/ VHP1400WCU	HP1600/ VHP1400WCAT
COMPRESSOR ROTARY SCREW/SINGLE-STAGE		
Free-Air Delivery – cfm (m3/min)	1600 / 1400	1600 / 1400
Rated Operating Pressure – psig (bar)	150 / 200	150 / 200
Pressure Range – psig (bar)	80 - 200 (5.5 - 13.8)	80 - 200 (5.5 - 13.8)
Air Discharge Outlet NPT Size – in (mm)	3 (76.2)	3 (76.2)
Air Discharge Outlet Quantity	1 (2 with IQ)	1 (2 with IQ)
Fuel Tank Capacity – gal (L)	200 (750)	200 (750)
DEF Tank Capacity – gal (L)	15 (57)	25.4 (96)
ENGINE		
Make/Model	Cummins/QSX15	Caterpillar C13B
Emissions Tier Level	Tier 4 Final (T4F)	Tier 4 Final (T4F)
Number of Cylinders	6	6
Displacement – cu in (L)	912 (14.9)	763 (12.5)
Rated Speed – rpm	1850 / 1600	1850 / 1600
Idle Speed – rpm	1200	1300
Bhp @ Rated Speed (kW)		536 (400) / 518 (386)
Electrical – volts	24	24
Hours of Operation @ Full Load		23 (87) / 22 (83)
DIMENSIONS WITH RUNNING GEAR		
Length – in (mm)	235 (5970)	235 (5970)
Width – in (mm)	90 (2290)	90 (2290)
Height – in (mm)	102 (2590)	102 (2590)
Track Width – in (mm)	71 (1803)	71 (1803)
Tire Size – in	235/75R17.5	235/75R17.5
Shipping Weight – w/o fuel – lb (kg)	19900 (9030)	19350 (8780)
Working Weight – w fuel – lb (kg)	21300 (9660)	20750 (9410)
DIMENSIONS WITHOUT RUNNING GEAR		
Length – in (mm)	209 (5310)	209 (5310)
Width – in (mm)	90 (2290)	90 (2290)
Height – in (mm)	96.5 (2450)	96.5 (2450)
Shipping Weight – w/o fuel – lb (kg)	18700 (8480)	18150 (8230)
Working Weight – w fuel – lb (kg)	20100 (9120)	19550 (8870)

LARGE AIR (HIGH)

XP750 | XHP1170

XHP750



- » Provides high pressure air in the smallest package in the industry
- » Exterior design includes gull-wing doors, drop-down tailgate, and a cooler access hatch
- » Intuitive joystick control
- » Instant access to 15 operational parameters
- » Built-in machine maintenance schedule
- » Handy spare parts and manual information

XHP1170



- » Industry's first Tier4 Final-compliant high-pressure air compressor
- » Compact package design with smaller footprint, exceptional towability and cooling performance
- » Equipped with a Doosan-designed and manufactured airend, offers a highly efficient rotor profile, requires less horsepower to deliver high-volume cfm output
- » Large extra wide doors
- » Thoughtful placement of service items ensure minimal downtime during routine scheduled maintenance
- » Powered by Caterpillar's C13B engine provides outstanding performance and reliability in a small package design

DURABILITY

The XHP750 and XHP1170 models are equipped with a Doosan HR350 airend that requires less horsepower to deliver a high volume cfm output.

EASE OF MAINTANACE

The enclosure design of the XHP750 provides industry-leading accessibility for ease of service and maintenance.

MODEL	XHP750WCU	XHP1170WCAT
COMPRESSOR ROTARY SCREW/SINGLE-STAGE		
Free-Air Delivery – cfm (m3/min)	750 (21.2)	1170 (33.1)
Rated Operating Pressure – psig (bar)	350 (24.1)	365 (25.1)
Pressure Range – psig (bar)	140-365 (9.7-24.1)	140-365 (9.7-25.2)
Air Discharge Outlet NPT Size – in (mm)	2 (50.8)	3 (76.2)
Air Discharge Outlet Quantity	1	1 (2 with IQ)
Compressor Oil Capacity – gal (L)	26.7 (101)	55 (208)
ENGINE		
Engine Make/Model	Cummins/L9	Cterpillar C13B
Emissions Tier Level	Tier 4 Final (T4F)	Tier 4 Final (T4F)
# of Cylinders	6	6
Displacement – cu in (L)	543 (8.9)	763 (12.5)
Rated Speed – rpm	1800	1825
Idle Speed – rpm	1350	1300
Bhp @ Rated Speed (kW)	325 (242)	536 (400)
Electrical – volts	24	24
Fuel Consumption @ 100% load – gph	15.6 (59.2)	24.3 (92)
Fuel Tank Capacity – gal (L)	128.1 (485)	200 (750)
DEF Tank Capacity - gal (L)	15 (57)	25.4 (96)
DIMENSIONS WITH RUNNING GEAR		
Overall Length – in (mm)	226.3 (5748)	235 (5970)
Overall Width – in (mm)	82.6 (2099)	90 (2290)
Overall Height – in (mm) excluding exh	101.3 (2573)	102 (2590)
Track Width – in (mm)	69.3 (1760)	71 (1803)
Tire Size – in	16	235/75R17.5
Shipping Weight w/o fuel – lb (kg)	11023 (5000)	18750 (8500)
Working Weight w/ fuel – lb (kg)	12015 (5450)	20150 (9140)
DIMENSIONS WITHOUT RUNNING GEAR		
Overall Length – in (mm)	171 (4343)	209 (5310)
Overall Width – in (mm)	83 (2109)	90 (2290)
Overall Height – in (mm) w/ shock-	95 (2413)	96.5 (2450)
Shipping Weight w/o fuel – lb (kg)	9855 (4470)	17550 (7960)
Working Weight w/ fuel – lb (kg)	11177 (5070)	18950 (8600)

A Self-Contained System That Provides Instrument-Quality Air

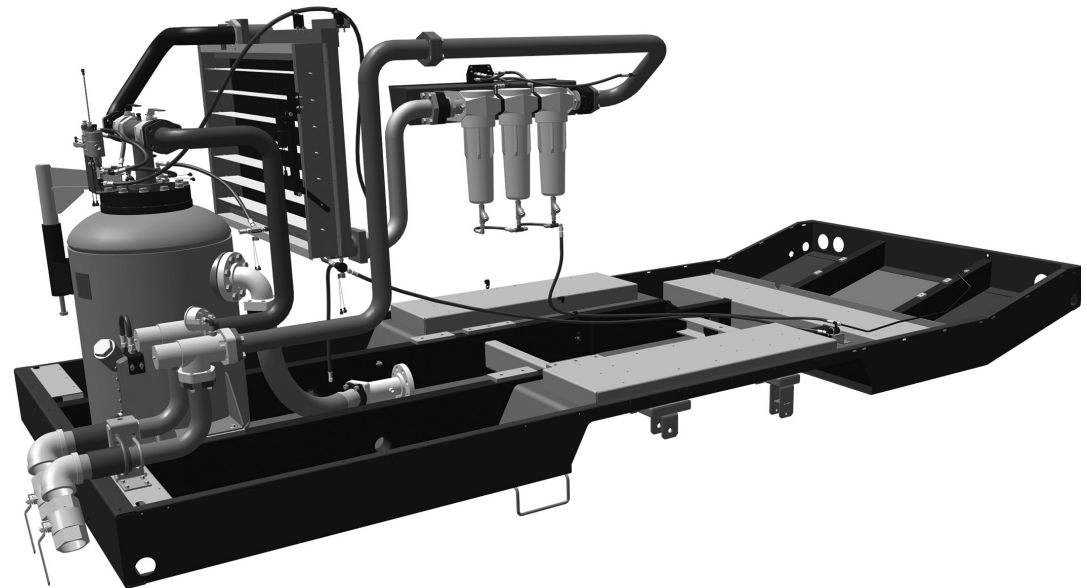


Clean air is essential to the safety and efficiency of compressed air applications. From highly regulated jobsites to finished products such as steel structure painting, the need for clean, dry air continues to grow.

Doosan Portable Power IQ System air compressors provide instrument-quality air that is 99.99 percent free of contaminants — removing harmful dust, dirt, moisture and oil that are present in untreated air. The IQ system is equipped with a patented condensate removal process that vaporizes any moisture present in ambient air to provide zero discharge and an internal aftercooler ensures compressed air is 20 degrees F above ambient air temperature.

A dual-filter system includes early warning indicators when filters require maintenance, while a pressure differential feature senses buildup in the filters and will safely shutdown the unit to ensure a consistent, reliable source of high-quality air. The result is clean, dry, cool, portable, compressed air.

The unique, onboard IQ system is fully-enclosed within the Doosan air compressor design. The all-in-one package provides the same portability customers expect from Doosan Portable Power equipment. The IQ system also delivers on versatility with the ability to select instrument-quality air or standard compressed air for applications that don't require pure, dry air. A lockable valve system makes it easy to instantly switch between the two options to tackle a variety of applications all in one day, saving time and money.



MORE THAN POWER.

DRILL MODULES TWO-STAGE HIGH PRESSURE MODULES

Doosan Portable Power offers a full line of drill modules from low pressure to high pressure to meet all your requirements for drilling. These reliable and robust modules are built to perform and deliver a solid return on your investment.

- Heavy-duty, single and two-stage rotary screw compressors are designed for mobile applications.
- Single-stage rotary screw compressor modules feature a hydraulically driven fan for oil cooling.
- Two-stage, high-pressure modules offer choice of shaft drive (CM or CMH) or direct engine coupling (CMH only).
- All packages are built with a heavy-gauge sheet metal housing for durability, and external airend lines are made of steel tubing to ensure a long life.
- User-friendly instrumentation includes analog gauges for separator discharge pressure and airend discharge temperature.
- Shutdown switches have been installed for airend and separator discharge temperature (normally closed at 248°F).
- Modules are designed to provide easy access for maintenance and serviceability.



DOOSAN
Portable Power

THE DOOSAN CERTIFIED REMANUFACTURED PROGRAM

Doosan's Certified Remanufacturing Program is the solution to extend the life of your Doosan Portable Power or Ingersoll-Rand manufactured portable air compressor (375cfm or larger). Now it's possible to restore your compressor back to its original standards from the factory. Each remanufactured compressor goes through a rigorous inspection process, is completely restored and then backed by our premium warranty.

During the remanufacturing process, we install any design enhancements that have been created since the compressor was first built. Once our remanufacturing process is complete, each machine is registered in our system with a same-as-new machine warranty as follows:

- » PACKAGE: 1 year or 2,000 hours
- » ENGINE: Carries the manufacturer's warranty
- » AIREND:
 - » STANDARD: 2 years or 4,000 hours
 - » EXTENDED: 5 years or 10,000 hours with the use of Doosan filters and fluids*

Configure the machine exactly the way you need it today. The Certified Remanufacturing Program decreases the operating costs of your current machine and increases its resale value. This innovative program gives the same experience new Doosan Portable Power compressor owners receive.



DOOSAN PORTABLE POWER FULL LINE OVERVIEW

» LIGHT COMPACTION

UPRIGHT RAMMERS



DRX 60 | DRX 70

Charged with industry-leading impact forces

FORWARD VIBRATORY PLATE COMPACTORS



DFP 1013 | DFP 1516 | DFP 1520

Versatility & reliability

TRENCH ROLLER



DTR 3275

Smooth, Efficient Compaction in Complex Applications

REVERSIBLE VIBRATORY PLATE COMPACTORS



DRP 2316 | DRP 3220 | DRP 4924

Built to Perform, Built to Last

» LIGHTING SYSTEMS

LCV & BALLOON LIGHT

For reliable illumination of special events, road and bridge construction, emergency and disaster relief, and general construction sites, choose a Doosan Portable Power lighting system. Our LCV light tower has a compact footprint and an industry leading runtime of 105 hours on a single fill. The BL400 LED balloon is the optimal choice for applications where glare-free light is required.



DOOSAN PORTABLE POWER FULL LINE OVERVIEW

» GENERATORS

SMALL



G25 | G40 | G50

Doosan Portable Power features a comprehensive mobile generator line up, ready to supply the power you need at the touch of a button. With customer friendly control panels, no generator has ever been easier to use.

MEDIUM



G70 | G125 | G150

Challenging applications demand powerful alternators. Doosan specifies high-output, separately excited alternators that ensure unmatched motor starting capability and precision voltage control.

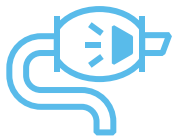
LARGE



G190 | G240 | G325 | G400 | G570

Doosan mobile generators have been designed with the service technician in mind. With 500 hour intervals between fluid and filter exchanges, you can be sure that downtime for maintenance is minimized. All maintenance points are easily accessible and designed for fast and easy service.

AVOID WET STACKING



AUTONOMOUS OPERATION



COLD TEMP



INCREASED UPTIME



ILMS - INTELLIGENT LOAD MANAGEMENT SYSTEM

Light loads and extreme cold can wreak havoc on your diesel generator. The Doosan Portable Power optional Intelligent Load Management System (ILMS) solves the wet stacking problem and keeps your generator operating longer and stronger - reducing costly repairs and downtime.

ILMS automatically raises the engine and exhaust temperature with supplemental heat, achieving the optimal operating temperature to prevent diesel generator wet stacking and ensure generator performance in light load and fluctuating conditions. Engine manufacturers require a minimum of 30% load on the engine for optimum performance. If you have a small load at your jobsite, the ILMS option will allow you to meet that requirement, resulting in increased performance and reliability without sacrificing capacity or fuel economy.

OIL, FILTERS & LUBRICANTS



Protect your investment in quality equipment with genuine OEM parts. Doosan Portable Power is your source for the highest-quality parts, filters and lubricants for your Doosan Portable Power products.

CONTACT

800-633-5206
portablepowersales@doosan.com
www.doosanportableparts.com



DOOSAN

Portable Power

Experience Doosan Portable Power and our industry-leading support and service. Whatever the job, we have the solution. From our comprehensive range of reliable air compressors, to lighting systems and generators, we have a solution to fit your needs. Running a successful business takes more than powerful equipment. That's why Doosan Portable Power partners with an experienced dealer network to stand beside you every step of the way. Doosan Portable Power – more than 100 years of providing excellence.



Doosan Portable Power
1293 Glenway Drive
Statesville, NC 28625
DoosanPortablePower.com

©2022 Doosan Portable Power. All rights reserved.

Product improvement is a continuous goal at Doosan Infracore Portable Power. Specifications and design are subject to change without notice or obligation. Warranty terms and conditions on new product sales are subject to change. All products are subject to the terms of the applicable warranty in effect on the date of purchase; contact your local Doosan dealer for the current applicable warranty. Doosan® and the Doosan logo are registered trademarks of Doosan Corp. in the United States and various other countries around the world.