

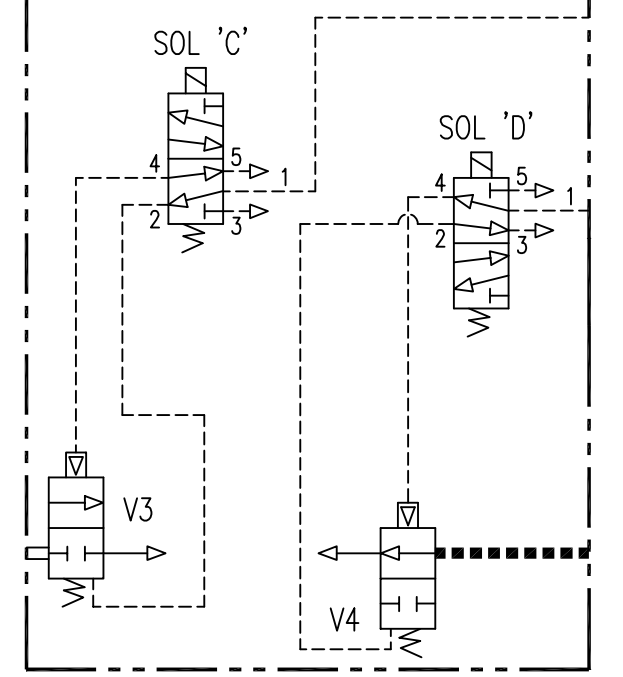
| - REVISIONS - |     |   |         |        |        |         |          |
|---------------|-----|---|---------|--------|--------|---------|----------|
| ZONE          | REV | DESCRIPTION   | CHG BY  | CHK BY | APP BY | REL BY  | DATE     |
| -             | C   | MOVED 3PS DOWNSTREAM FROM PURGE SAVER/ADDED TO NOTE 3 | MHO     | SDM    | SDM    | SDM     | 11/11/05 |
| -             | D   | REVISED LEGEND NOTE #3                                | MHO     | SDM    | SDM    | SDM     | 12/08/05 |
| -             | E   | CHANGED PSIG OF ITEM 26                               | GAR     | DEH    | DEH    | SDM     | 06/05/07 |
| -             | F   | ADD SOL VALVE   | CPG     | DPM    | DPM    | SDM     | 06/24/10 |
| -             | G   | ADDED HEATER COOL DOWN SEQUENCE                       | GMJ     | DPM    | DPM    | CRH     | 01/26/11 |
| -             | H   | CHANGE 3PS FROM 5 TO 10 PSIG                          | CPG     | DPM    | DPM    | SDM     | 04/13/12 |
| -             | I   | ADDED 4PS & 5PS.                                      | CRH     | CRH    | CRH    | SDM     | 03/28/13 |
| -             | J   | EDIT SOL 'E' AND LINE                                 | MOB     | CRH    | DEH    | SDM     | 05/05/14 |
| -             | K   | REMOVED 5PS   | MHO     | DEH    | DEH    | MHO     | 08/10/17 |
| -             | L   | ADDED HEATER DUAL RTD/TC                              | YDA/BEK | MHO    | MHO    | YDA/BEK | 05/28/19 |

**LEGEND**

- INLET VALVE (V1 LEFT, V2 RIGHT)
- FLOW CONTROL VALVE
- PURGE EXHAUST VALVE (V3 LEFT, V4 RIGHT)
- PURGE CHECK VALVE (V5 LEFT, V6 RIGHT) (NO SPRING)
- OUTLET CHECK VALVE (V7 LEFT, V8 RIGHT)
- DEPRESS SOLENOID VALVE (V9 LEFT, V10 RIGHT) (900-3200 MODELS)
- PURGE HEATER WITH INSULATION
- HEATER TEMPERATURE SINGLE PROBE - DUAL THERMOCOUPLE/OVERTEMPERATURE RTD
- CHAMBER RTD (LEFT & RIGHT)
- RELIEF VALVE
- CHAMBER PRESSURE GAUGES (LEFT & RIGHT)
- CHAMBER PRESSURE SWITCH (LEFT & RIGHT)
- SERVICE VALVE
- PILOT AIR FILTER
- PRESSURE REGULATOR & GAUGE
- SOLENOID VALVE
- MUFFLER (750 ONLY)
- MUFFLER (900 THRU 3200)
- DESICCANT CHAMBER
- DESICCANT RETAINING SCREEN (TOP & BOTTOM)
- DESICCANT FILL PORT
- DESICCANT DRAIN PORT
- PURGE ADJUSTING VALVE
- PURGE PRESSURE GAUGE
- PURGE FLOW ORIFICE (NOT PROVIDED WITH PURGE SAVER)
- PURGE SHUT-OFF VALVE (MODELS 900-3200)
- PRESSURE REGULATOR
- CHAMBER BLOW-DOWN VALVE
- THRU 41. (NOT USED)
- ENERGY MANAGEMENT PILOT OPERATED VALVE
- ENERGY MANAGEMENT SENSOR (RTD4/HS1)
- PURGE SAVER
- PURGE SAVER INTAKE SHUT-OFF VALVE
- PURGE SAVER INTAKE FILTER/SILENCER
- INSULATION OPTION
- HOT PIPE INSULATION
- CHAMBER INSULATION

**LEGEND (CONT'D)**

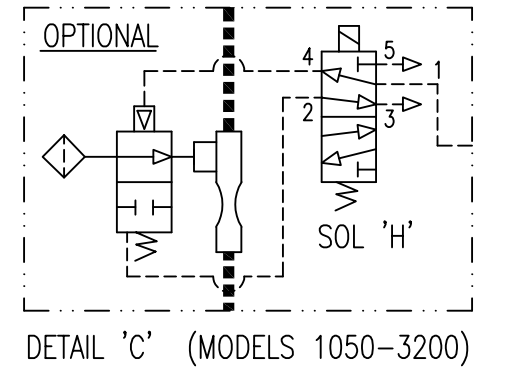
- "F01" OPTION**
- PREFILTER (WITH INTEGRAL DIFF. PRESS. GAUGE)
  - AFTERFILTER
  - PILOT AIR LINE AND SERVICE VALVE (IF REQUIRED)
  - BALANCE LINE AND SERVICE VALVE (IF REQUIRED)
  - PILOT LINE INLET FILTER (IF REQUIRED)
  - PILOT AIR PRESSURE REGULATOR & GAUGE (IF REQUIRED)
- "F02" OPTION**
- SYSTEM BLOCK VALVE
  - SYSTEM BYPASS VALVE
- DEWPOINT OPTION**
- DEWPOINT ANALYZER
  - DEWPOINT ANALYZER FILTER



| ELECTRICAL COMPONENT     | LEFT CHAMBER DRYING (RIGHT CHAMBER REGEN) |     |                      |        |        | RIGHT CHAMBER DRYING (LEFT CHAMBER REGEN) |     |   |    |   | LOGS OF POWER |   |
|--------------------------|---|-----|----------------------|--------|--------|---|-----|---|----|---|---------------|---|
|                          | 2   | 176 | 4                    | 55     | 3      | 2   | 176 | 4 | 55 | 3 |               |   |
|                          | PROCESS COMPONENT                         |     |                      |        |        | PROCESS COMPONENT                         |     |   |    |   |               |   |
| SOLENOID VALVE 'A' 3 WAY | YES                                       | NO  | V2                   | OPEN   | CLOSED |   |     |   |    |   |               | * |
| SOLENOID VALVE 'B' 3 WAY | YES                                       | NO  | V1                   | OPEN   | CLOSED |   |     |   |    |   |               | * |
| HEATER                   | YES                                       | NO  |                      | ON     | OFF    |   |     |   |    |   |               |   |
| SOLENOID VALVE 'H' 3 WAY | YES                                       | NO  | PURGE SAVER VALVE    | OPEN   | CLOSED |   |     |   |    |   |               |   |
| SOLENOID VALVE 'C' 3 WAY | YES                                       | NO  | V3                   | OPEN   | CLOSED |   |     |   |    |   |               |   |
| SOLENOID VALVE 'D' 3 WAY | YES                                       | NO  | V4                   | OPEN   | CLOSED |   |     |   |    |   |               |   |
| SOLENOID VALVE 'E' 3 WAY | YES                                       | NO  | V3                   | OPEN   | CLOSED |   |     |   |    |   |               |   |
| SOLENOID VALVE 'D' 3 WAY | YES                                       | NO  | V4                   | OPEN   | CLOSED |   |     |   |    |   |               |   |
| SOLENOID VALVE 'F' N.C.  | YES                                       | NO  | V9                   | OPEN   | CLOSED |   |     |   |    |   |               |   |
| SOLENOID VALVE 'G' N.C.  | YES                                       | NO  | V10                  | OPEN   | CLOSED |   |     |   |    |   |               |   |
| SOLENOID VALVE 'E' N.O.  | YES                                       | NO  | PURGE SHUT-OFF VALVE | CLOSED | OPEN   |   |     |   |    |   |               |   |

|                             |  |         |              |  |
|-----------------------------|--|---------|--------------|--|
| UNLESS OTHERWISE SPECIFIED: |  | NAME    | DATE         | UNAUTHORIZED USE, MANUFACTURE, OR REPRODUCTION IN WHOLE OR IN PART IS PROHIBITED. DRAWING DESIGN AND OTHER DISCLOSURES ARE PROPERTY OF <b>Deltech</b><br>* DO NOT SCALE. USE DIMENSIONS ONLY * |
| DIMENSIONS ARE IN: N/A      |  | DWN BY  | SDM 09/03/04 |  |
| SURFACE FINISH: N/A         |  | ENG BY  | DEH 09/03/04 |  |
| TOL. MM INCHES              |  | CHK BY  | JET 09/03/04 |  |
| X. - .X .XX .XXX            |  | APP BY  | DEH 09/03/04 |  |
| FRACT. N/A ANG. N/A         |  | REL BY  | SDM 09/03/04 |  |
| SCALE: NONE WT. N/A         |  | MAT NO. | ---          | SIZE   |
|                             |  |         |              | DWG. NO.   |
|                             |  |         |              | 0027008-D1B  |
|                             |  |         |              | REV. SHEET   |
|                             |  |         |              | L 1/1  |

- NOTES**
- SYMBOLS ARE PER ANSI Y32.10 "GRAPHIC SYMBOLS FOR FLUID POWER DIAGRAMS."
  - AS SHOWN FLOW DIRECTION IS:
    - SOLID LINE: LEFT CHAMBER DRYING
    - DASHED LINE: RIGHT CHAMBER REGEN
    - DOTTED LINE: PILOT GAS LINE
  - SOLENOID VALVES 'B', 'D', 'G', & 'H' ARE SHOWN ENERGIZED, SOLENOID VALVES 'A', 'C', 'E', & 'F' ARE SHOWN DE-ENERGIZED.
  - [ ] INDICATES OPTION



| MODEL | ORIFICE DIA. (IN) |
|-------|-------------------|
| 750   | 11/32             |
| 900   | 3/8               |
| 1050  | 13/32             |
| 1300  | 29/64             |
| 1500  | 31/64             |
| 1800  | 17/32             |
| 2200  | 37/64             |
| 2600  | 5/8               |
| 3200  | 45/64             |

| MODEL | NO PURGE SAVER            |                           | WITH PURGE SAVER          |                           |
|-------|---------------------------|---------------------------|---------------------------|---------------------------|
|       | PURGE SET PRESSURE (PSIG) | PURGE SET PRESSURE (PSIG) | PURGE SET PRESSURE (PSIG) | PURGE SET PRESSURE (PSIG) |
| 750   | 34                        | 46                        | 34                        | 46                        |
| 900   | 34                        | 58                        | 34                        | 58                        |
| 1050  | 34                        | 25                        | 34                        | 25                        |
| 1300  | 34                        | 38                        | 34                        | 38                        |
| 1500  | 34                        | 50                        | 34                        | 50                        |

| MODEL | NO PURGE SAVER            |                           | WITH PURGE SAVER          |                           |
|-------|---------------------------|---------------------------|---------------------------|---------------------------|
|       | PURGE SET PRESSURE (PSIG) | PURGE SET PRESSURE (PSIG) | PURGE SET PRESSURE (PSIG) | PURGE SET PRESSURE (PSIG) |
| 750   | 34                        | 46                        | 34                        | 46                        |
| 900   | 34                        | 58                        | 34                        | 58                        |
| 1050  | 34                        | 25                        | 34                        | 25                        |
| 1300  | 34                        | 38                        | 34                        | 38                        |
| 1500  | 34                        | 50                        | 34                        | 50                        |

