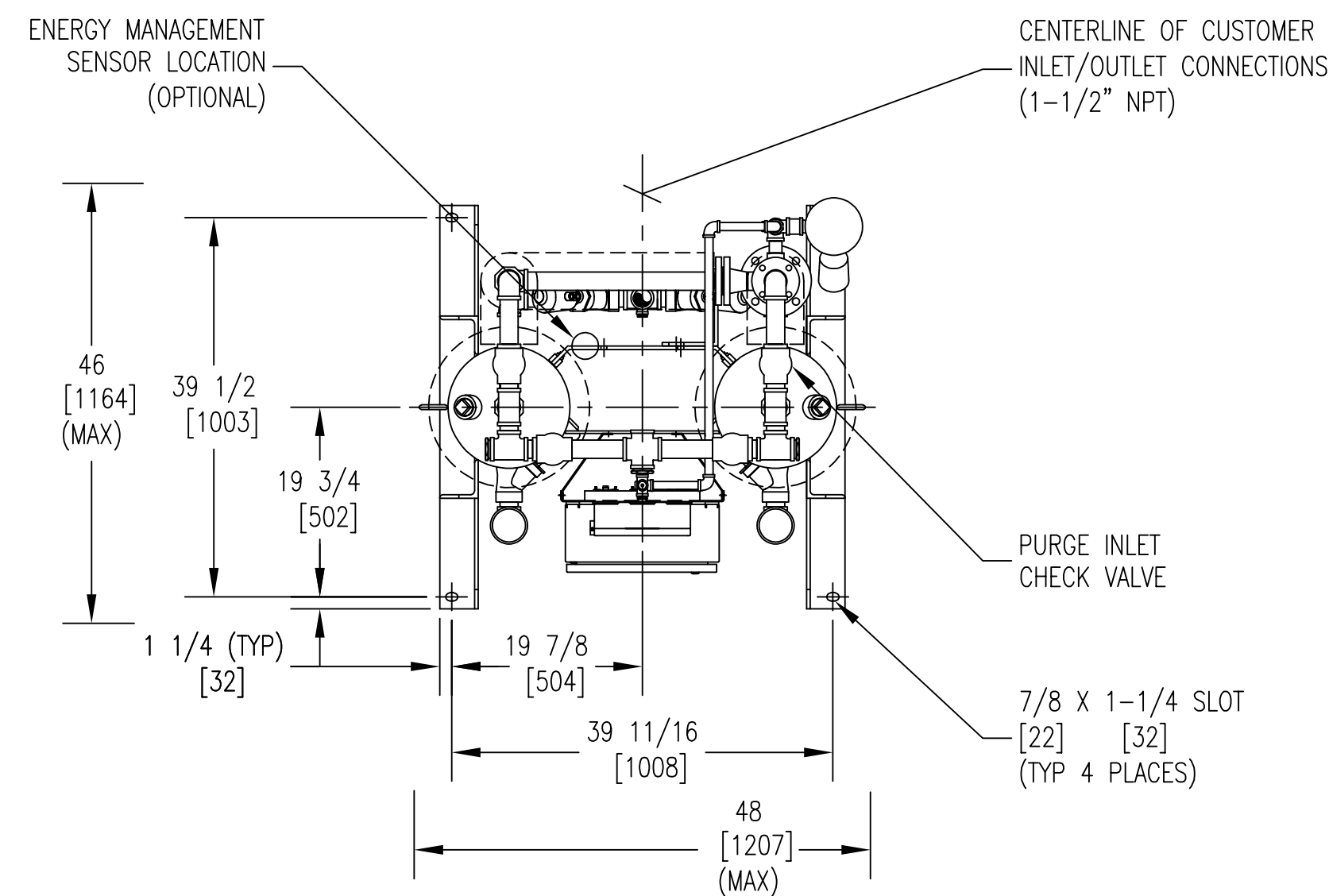
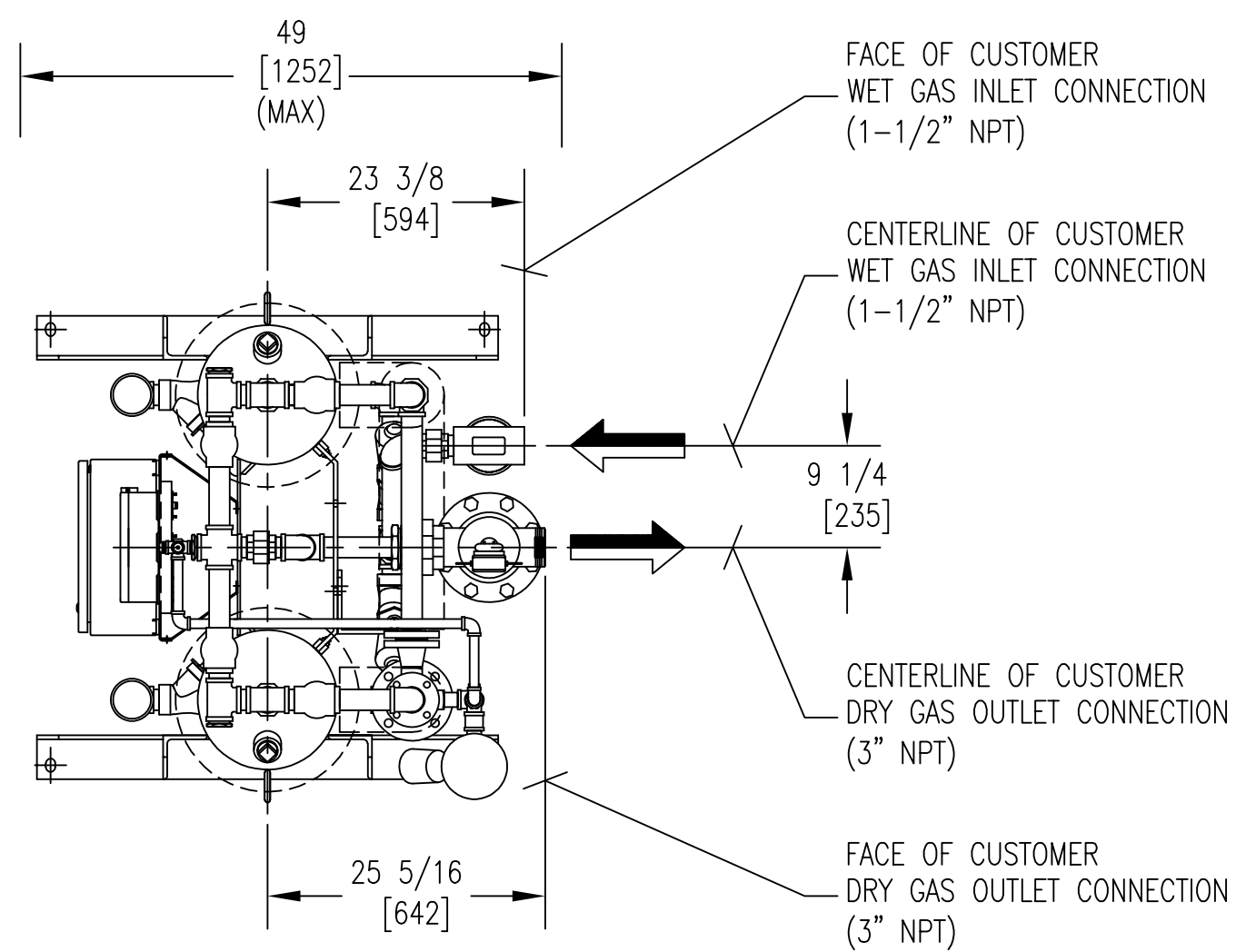


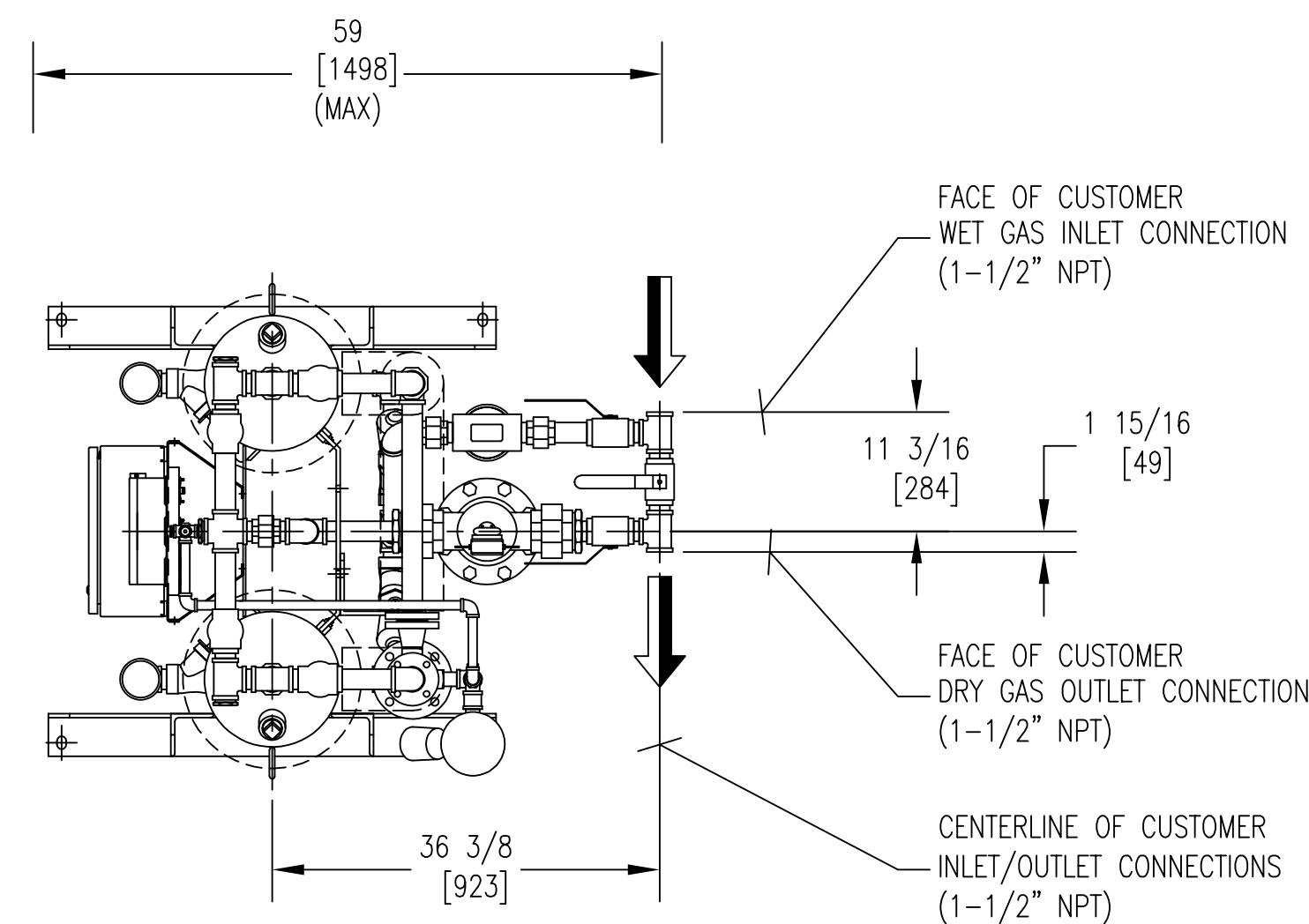
ZONE		REV	DESCRIPTION	CHG BY	CHK BY	APP BY	REL BY	DATE
-	A		ADDED TEE FOR 3PS DOWNSTREAM FROM PURGE SAVER.	MHO	DEH	DEH	SDM	04/05/06
-	B		ADDED TEE FOR 3PS DOWNSTREAM FRM PURGE SAVER IN REAR VIEW.	MHO	DEH	DEH	SDM	04/10/06
-	C		CHANGED FILTER PACKAGES.	SDM	DEH	DEH	SDM	10/10/06
-	D		REMOVED UNNEEDED DETAIL A	DL	DEH	DEH	SDM	2/22/07
B-4	E		ADDED SINGLE PROBE DUAL RTD/THERMOCOUPLE	SOM/BEK	KL	DEH	SOM/BEK	05/30/19



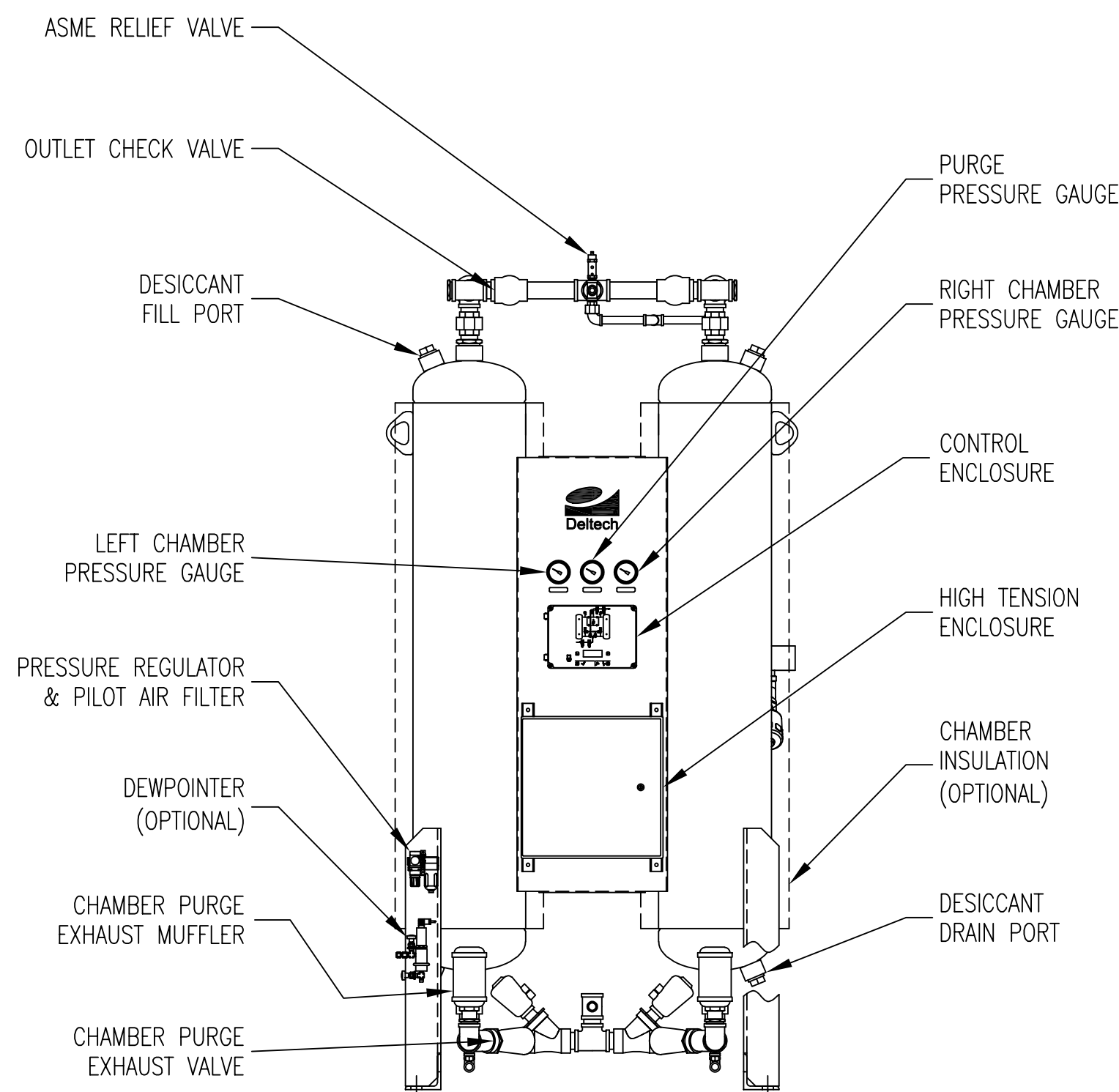
TOP VIEW



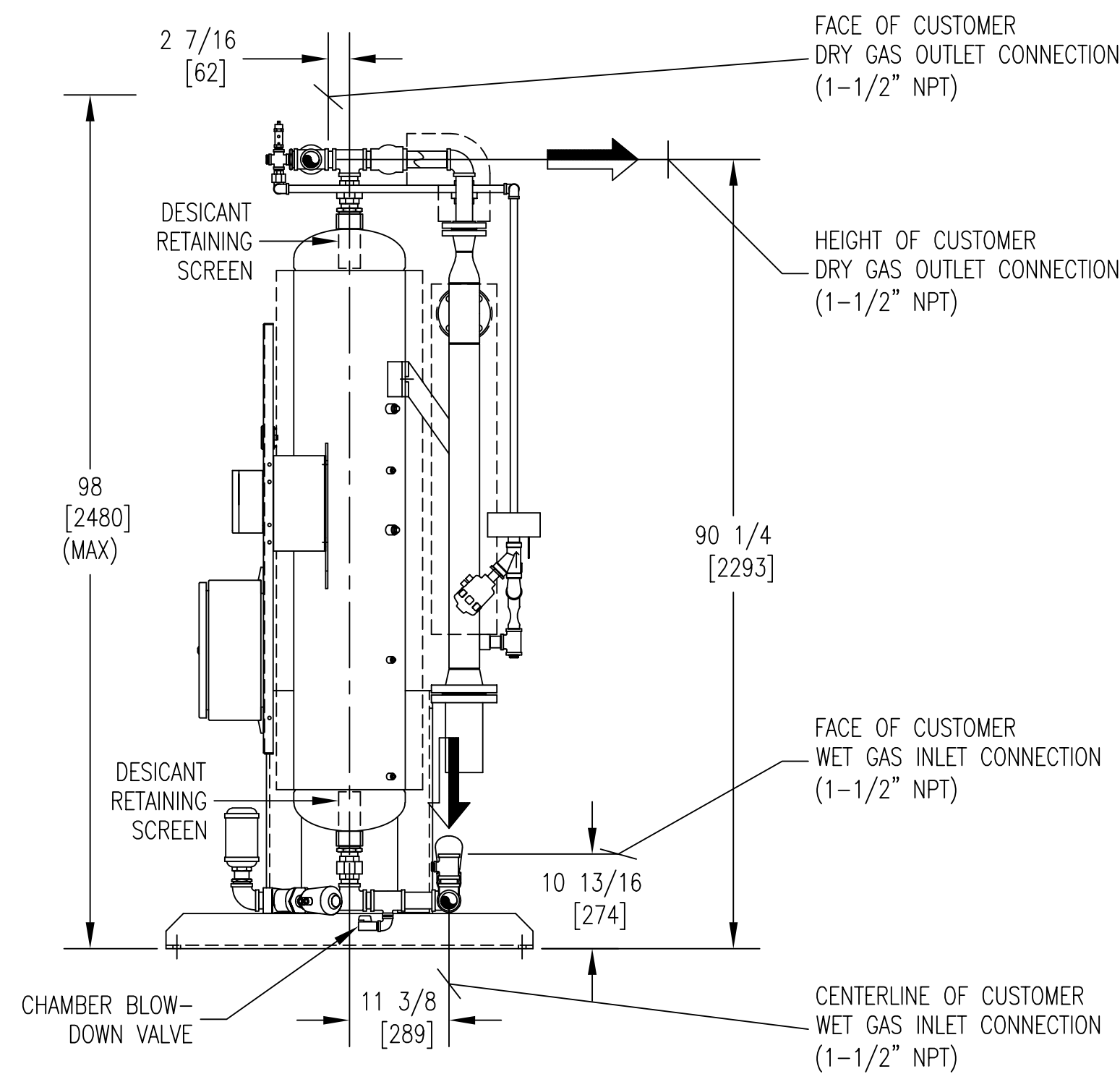
TOP VIEW (F01 PKG OPTIONAL)



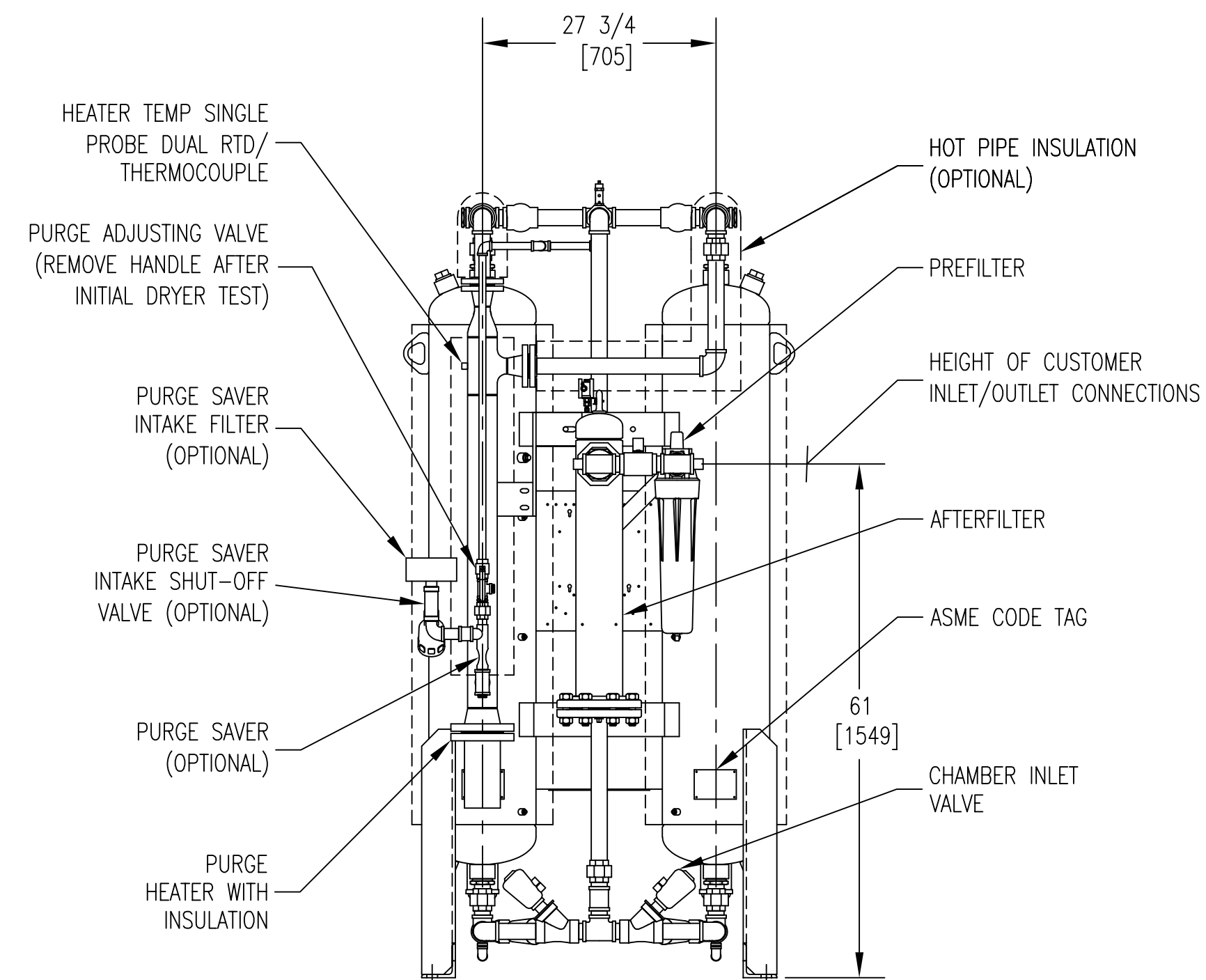
TOP VIEW (F02 PKG OPTIONAL)



FRONT VIEW



SIDE VIEW (RIGHT CHAMBER REMOVED FOR CLARITY)



REAR VIEW (F01/F02 PKG OPTIONAL)

- NOTES:
- THIS DRAWING, TOGETHER WITH THE P&ID AND SPECIFICATION SHEET, PROVIDES OPERATING CONDITIONS, SPECIFICATIONS, INSTALLATION, MOUNTING AND CONNECTION REQUIREMENTS.
 - PRESSURE VESSELS ARE DESIGNED AND BUILT IN ACCORDANCE WITH THE CURRENT EDITION AND ADDENDA OF SECTION VIII, DIV. I, OF THE A.S.M.E. CODE FOR UNFIRED PRESSURE VESSELS.
 - ELECTRICAL CONSTRUCTION IS IN ACCORDANCE WITH THE NATIONAL ELECTRICAL CODE.
 - ANCHOR BOLTS ARE TO PROJECT A MINIMUM OF 2" ABOVE THE FOUNDATION. ANCHOR BOLTS SHOULD BE INSTALLED IN SLEEVES TO ALLOW SOME ADJUSTMENT AT TIME OF INSTALLATION.
 - FOR MAINTENANCE PURPOSES, RECOMMENDED CLEARANCE AROUND DRYER IS 4 FEET [1220 MM].
 - IF THE EQUIPMENT IS TO DRY (OR REACTIVATE WITH) A GAS OTHER THAN AIR, THE OUTLETS OF THE SAFETY VALVE, REACTIVATION GAS OUTLET LINE, BLOWDOWN VALVES, ETC. SHALL BE PIPED AWAY TO A SAFE LOCATION (BY PURCHASER). IN PIPING AWAY GAS, DO NOT PIPE UPWARD WITHOUT ADEQUATE ARRANGEMENTS TO PREVENT TRAPPING CONDENSATION.
 - WEIGHTS: SHIPPING WEIGHT 1,360 LBS. (APPROX.)
OPERATING WEIGHT 617 KGS (APPROX.)
 - WHEN FILTER OPTION IS SUPPLIED, REMOVE FILTER AND FILTER PIPING FOR SHIPPING.

UNLESS OTHERWISE SPECIFIED:		NAME	DATE	UNAUTHORIZED USE, MANUFACTURE, OR REPRODUCTION IN WHOLE OR IN PART IS PROHIBITED. DRAWING DESIGN AND OTHER DISCLOSURES ARE PROPERTY OF:
DIMENSIONS ARE IN: INCHES/MM		DWN BY	SDM 12/20/04	Deltech deltechsp.com
SURFACE FINISH: N/A ✓		ENG BY	DEH 12/20/04	
TOL	MM	CHK BY	SDM 12/20/04	GENERAL ARRANGEMENT RP 300
.X	-	APP BY	DEH 12/20/04	
.XX	-	REL BY	SDM 12/20/04	
.XXX	-	MAT NO.	----	
FRACT: ±1/2	ANG: ±2°	SIZE	DWG. NO.	0027008-300
SCALE: 1/16	WT: N/A	REV.	SHEET	