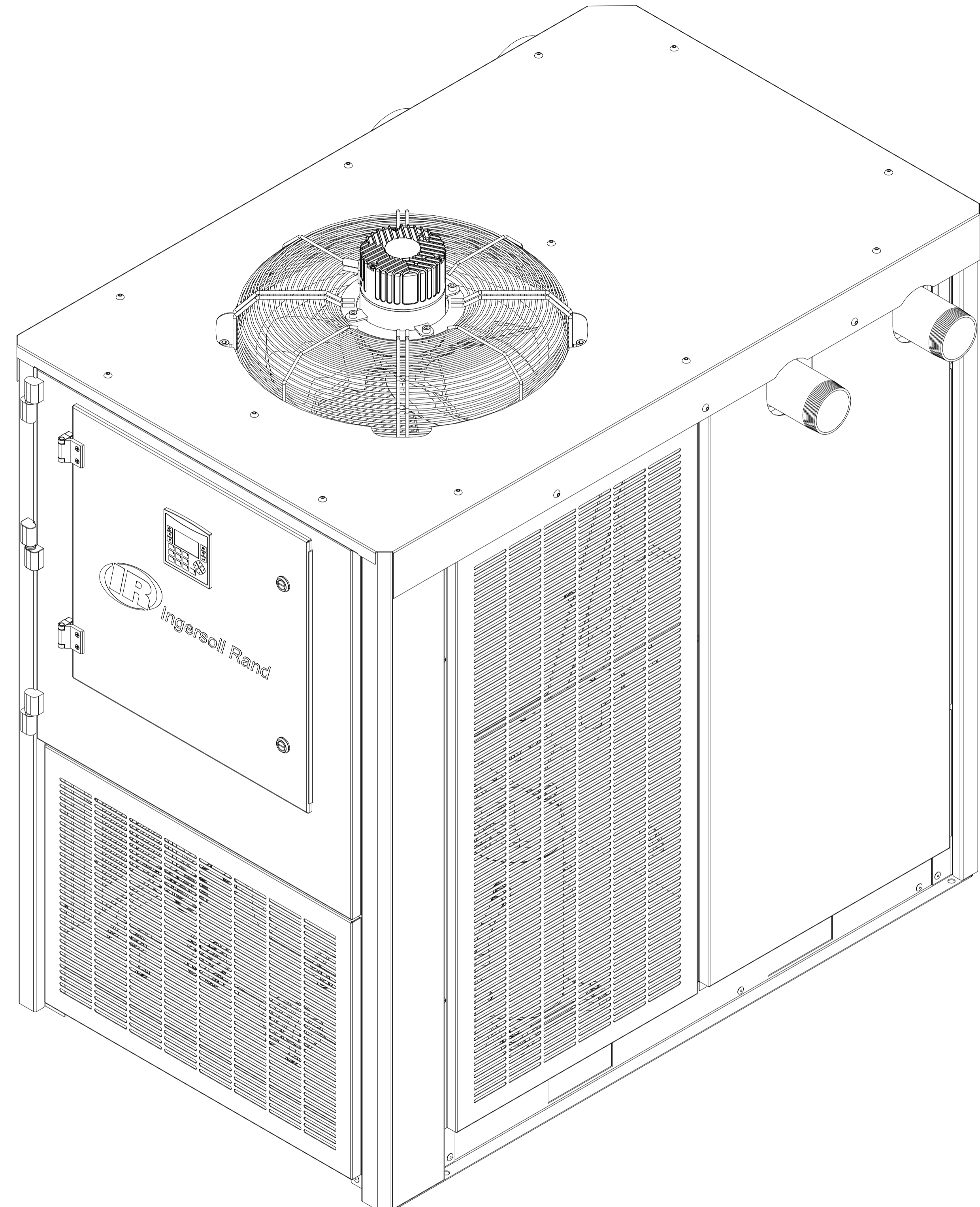


- NOTES:**
- PLEASE REFER TO TECHNICAL MANUAL AND ENGINEERING DATA SHEET FOR TECHNICAL DETAIL, INSTALLATION DETAIL, AND OPERATION INFORMATION.
  - UNIT INSTALLATION MUST BE ON FLAT SURFACE.
  - REFER TO MANUAL FOR CONTROLLER INFORMATION.

REVISIONS			DATE	DRAWN	APPROVED
ZONE	REV	ECN	DESCRIPTION		
	A	1493595	ORIGINAL RELEASE	2025JAN30	B.BASAVARAJ P.NICK



**THIS VIEW IS SHOWN FOR REFERENCE ONLY**

**STANDARD TOLERANCES**

ALL DIMENSIONS ARE IN INCHES [MILLIMETERS (IF SHOWN)]

UNSPECIFIED TOLERANCES:

ONE PLACE : (.X) = N/A  
 TWO PLACE : (.XX) = ± .25  
 THREE PLACE : (.XXX) = N/A  
 ANGLES : (.X) = ± 2.5°

Ingersoll-Rand Industrial Solutions

**WARNING:** THE EXPORT OR REEXPORT OF THIS DRAWING OR A PRODUCT PRODUCED BY THIS DRAWING IS SUBJECT TO U.S. EXPORT ADMINISTRATION REGULATIONS & OTHER APPLICABLE GOVERNMENT RESTRICTIONS OR REGULATIONS.

COMPANY: **Ingersoll Rand**

**PROPRIETARY NOTICE:** THIS DRAWING CONTAINS CONFIDENTIAL AND TRADE SECRET INFORMATION. IS THE PROPERTY OF THE COMPANY., AND IS GIVEN TO THE RECEIVER IN CONFIDENCE. THE RECEIVER BY RECEPTION AND RETENTION OF THE DRAWING ACCEPTS THE DRAWING IN CONFIDENCE AND AGREES THAT, EXCEPT AS AUTHORIZED IN WRITING BY THE COMPANY, IT WILL (1) NOT USE THE DRAWING OR ANY COPY THEREOF OR THE CONFIDENTIAL OR TRADE SECRET INFORMATION THEREIN; (2) NOT COPY THE DRAWING; (3) NOT DISCLOSE TO OTHERS EITHER THE DRAWING OR THE CONFIDENTIAL OR TRADE SECRET INFORMATION THEREIN; AND (4) UPON COMPLETION OF THE NEED TO RETAIN THE DRAWING, OR UPON DEMAND, RETURN THE DRAWING, ALL COPIES THEREOF, AND ALL MATERIAL COPIED THEREFROM.

**DO NOT SCALE DRAWING**  
 DRAWING CONFORMS TO ASME Y14.5M - 1994

**CAD GENERATED DRAWING. NO MANUAL REVISIONS ALLOWED**

UNLESS OTHERWISE SPECIFIED:  
 - REMOVE ALL BURRS AND SHARP CORNERS  
 - WELD SYMBOLS TO BE IN ACCORDANCE WITH ANSI/AWS A2.4

COPYRIGHT @ 2025  
 ALL RIGHTS RESERVED  
 Ingersoll Rand

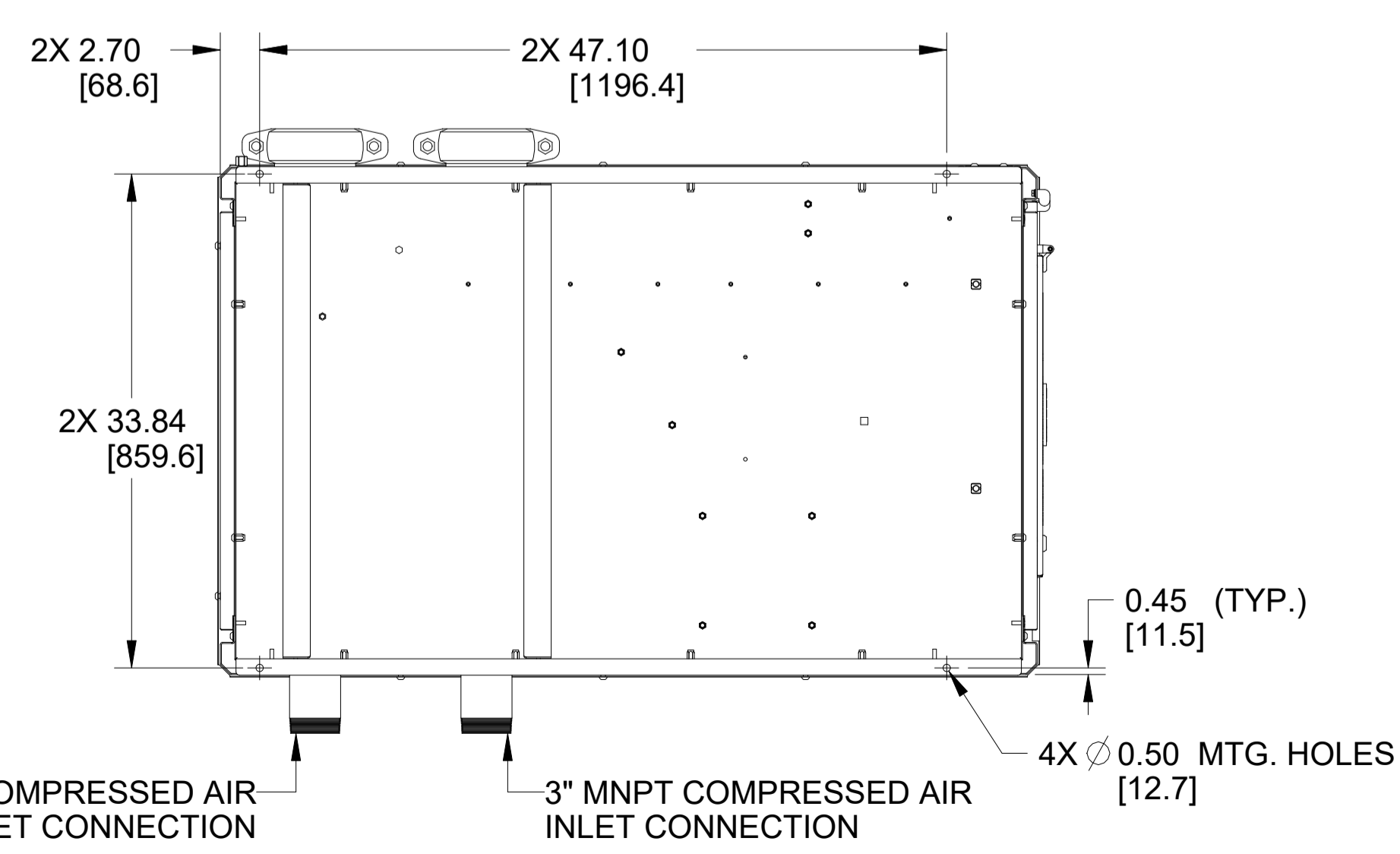
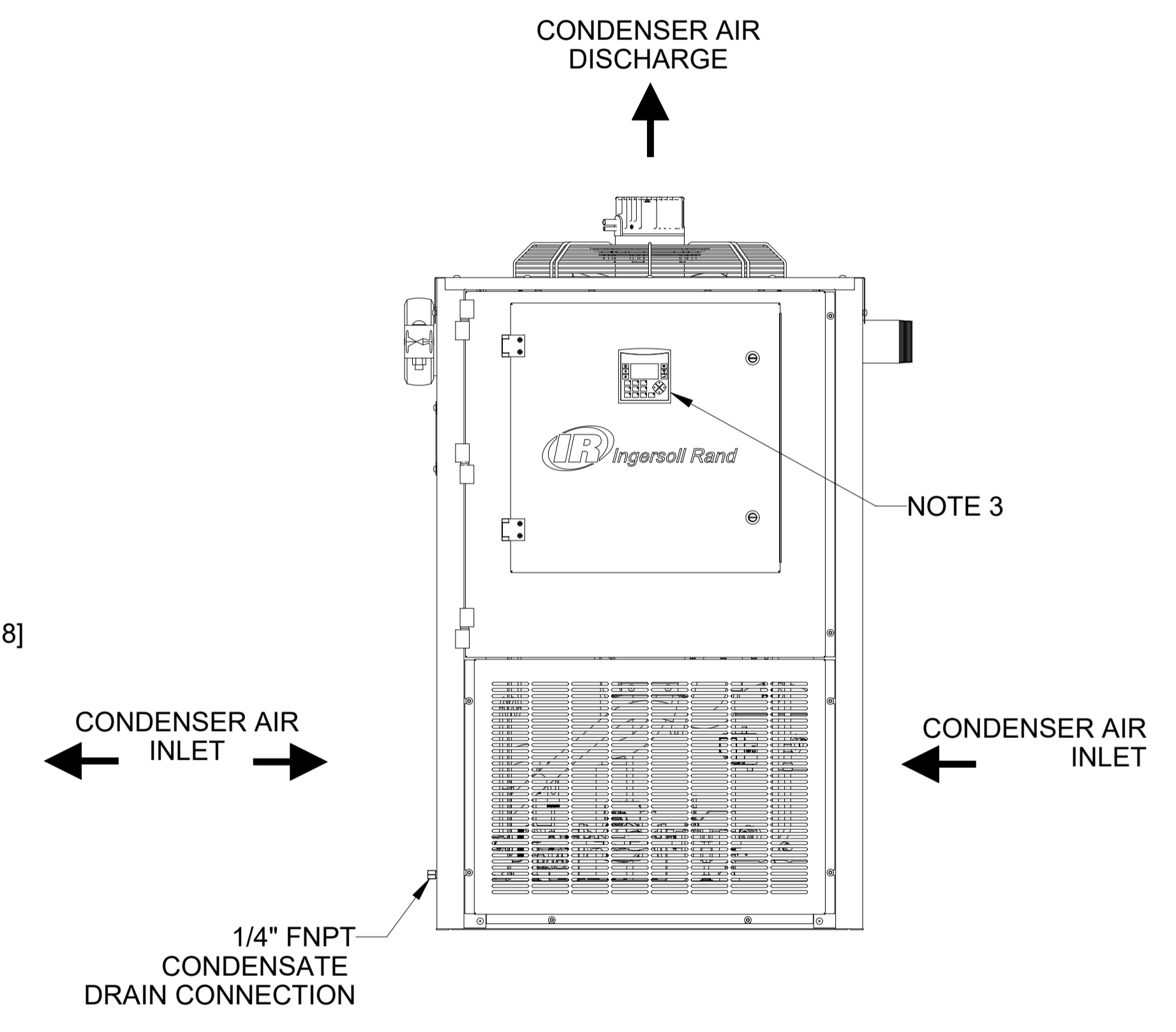
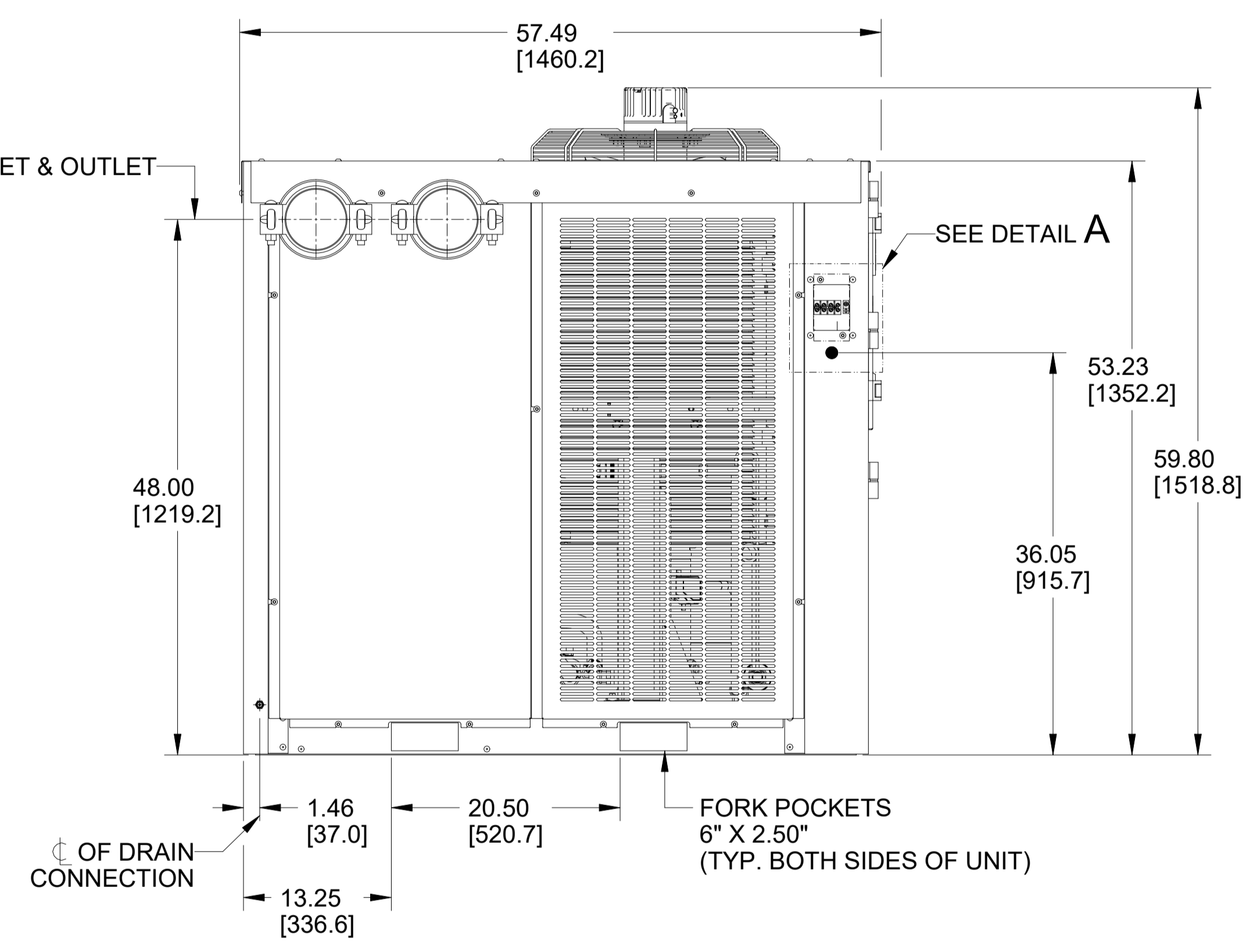
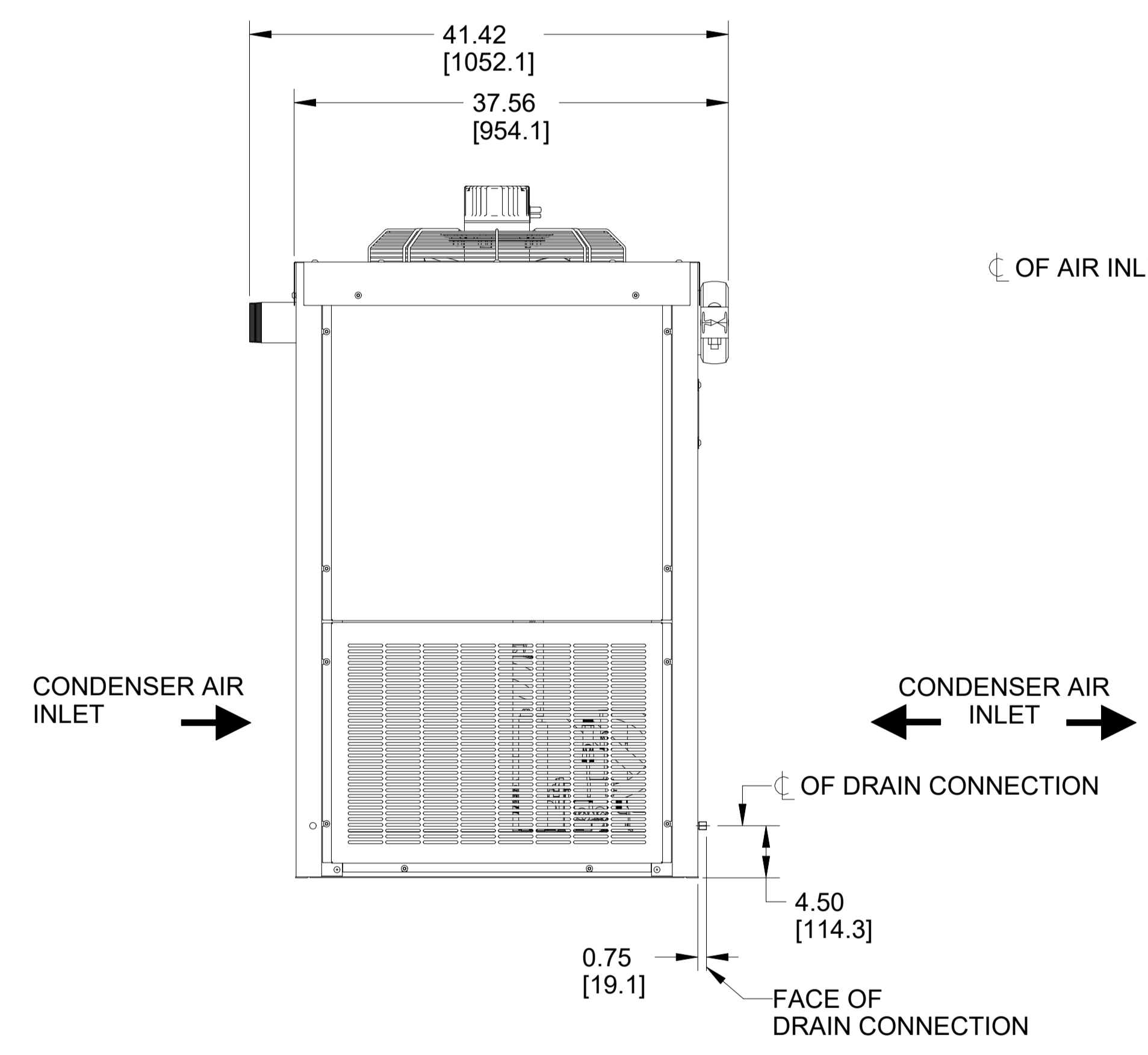
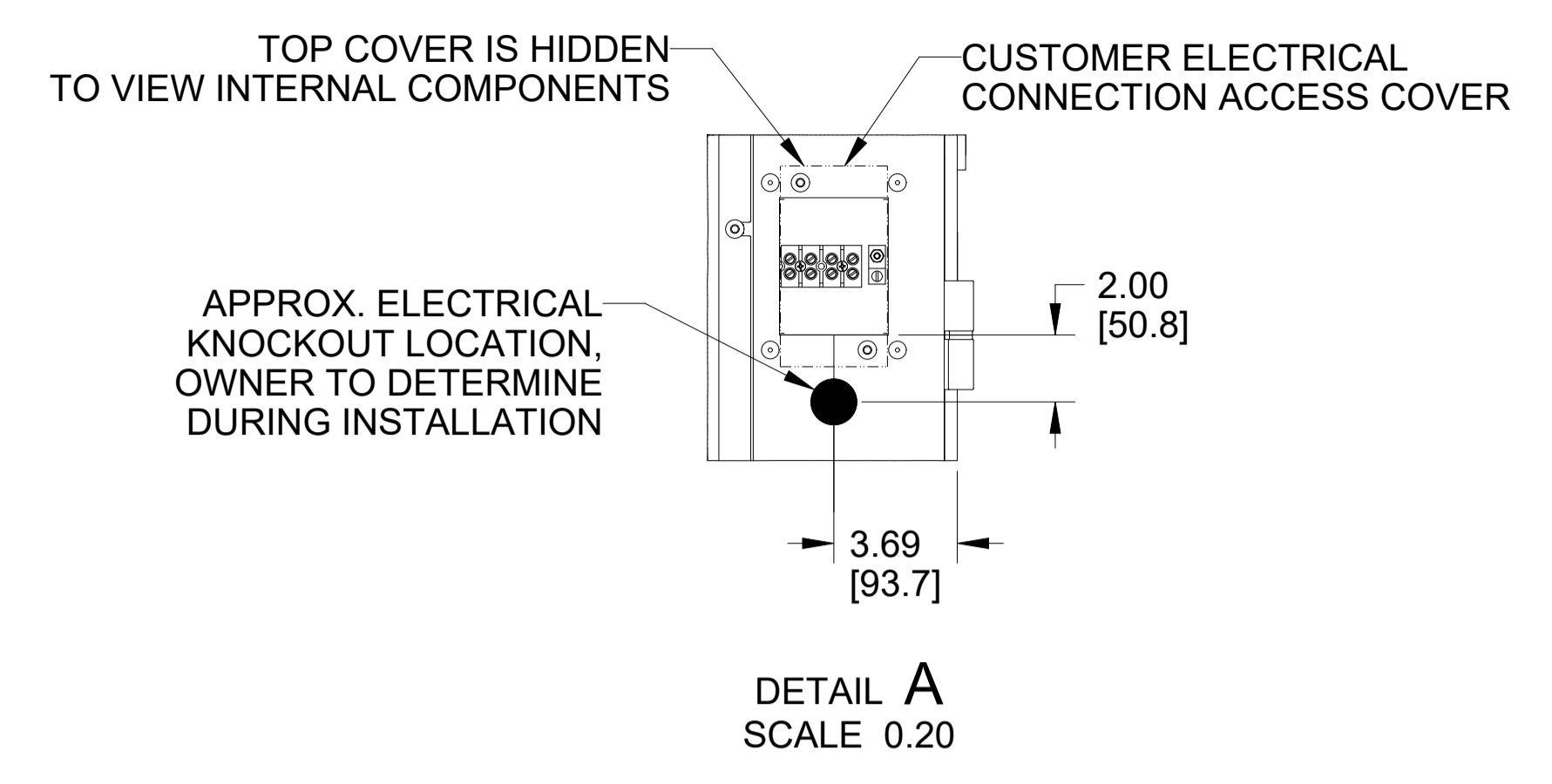
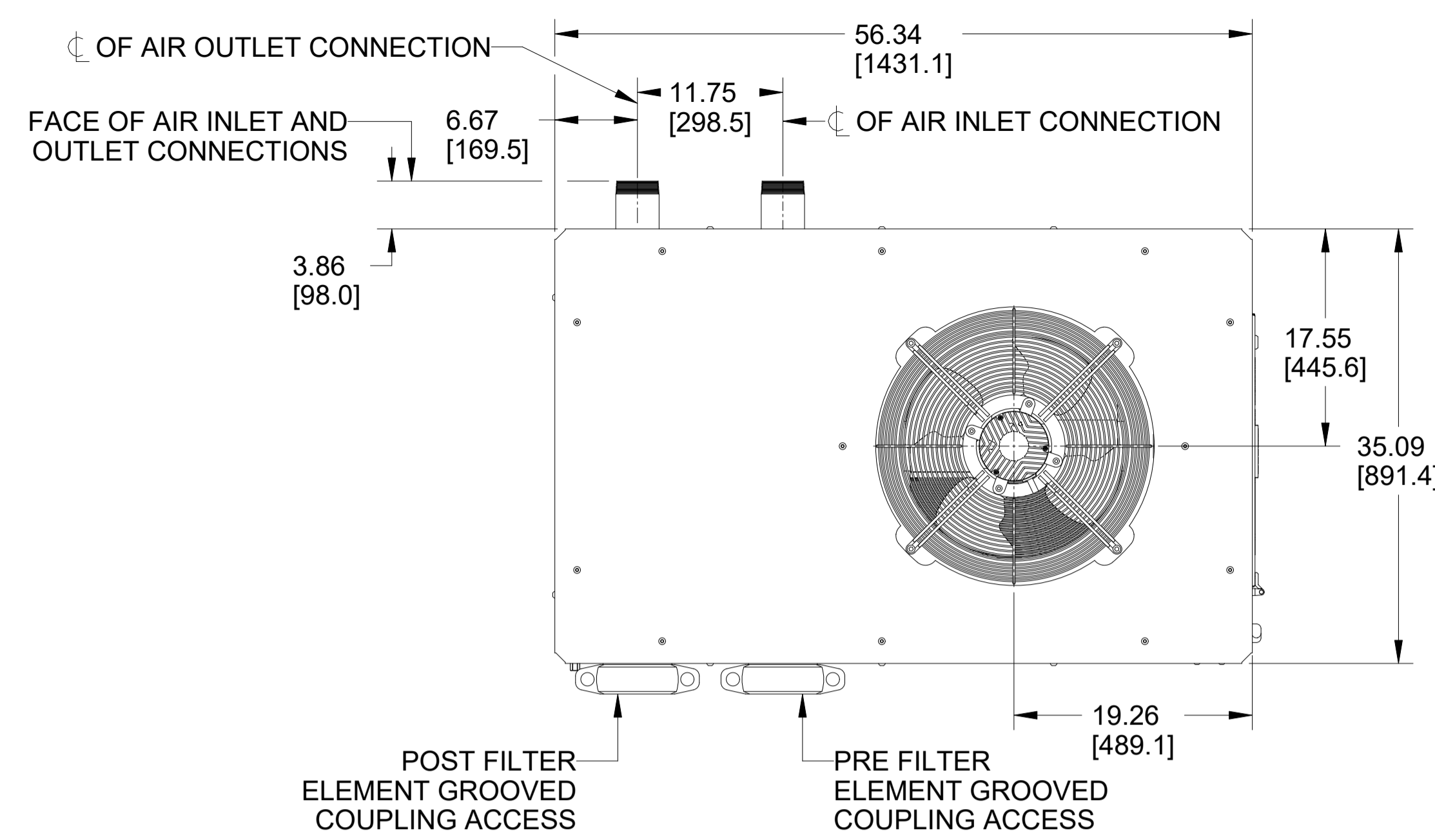
THIRD ANGLE PROJECTION	
DRAWN	DATE
B.BASAVARAJ	2025JAN30
CHECKED	DATE
P.NICK	2025JAN30
APPROVED	DATE
P.NICK	2025JAN30

DRAWING TYPE: General Arrangement Drawing  
 NOMENCLATURE:

**IR Ingersoll Rand**

NAME: **GA DA850-1360NVC, AC**

SIZE: <b>A1</b>	ESTIMATED WEIGHT (KG UNLESS OTHERWISE SPECIFIED): <b>1138.0 pounds</b>	PART NO: <b>47827483 001</b>	REVISION: <b>A</b>
SCALE: <b>0.20</b>	MODEL: <b>HARP IV</b>	SHEET: <b>1</b>	of <b>2</b>



COMPANY Ingersoll Rand		NAME GA DA850-1360NVC, AC	
<small>PROPRIETARY NOTICE: THIS DRAWING CONTAINS CONFIDENTIAL AND TRADE SECRET INFORMATION IS THE PROPERTY OF THE COMPANY AND IS GIVEN TO THE RECEIVER IN CONFIDENCE. THE RECEIVER BY RECEPTION AND RETENTION OF THE DRAWING ACCEPTS THE DRAWING IN CONFIDENCE AND AGREES THAT EXCEPT AS AUTHORIZED IN WRITING BY THE COMPANY IT WILL (1) NOT USE THE DRAWING OR ANY COPY THEREOF OR THE CONFIDENTIAL OR TRADE SECRET INFORMATION THEREIN; (2) NOT COPY THE DRAWING; (3) NOT DISCLOSE TO OTHERS EITHER THE DRAWING OR THE CONFIDENTIAL OR TRADE SECRET INFORMATION THEREIN; AND (4) UPON COMPLETION OF THE NEED TO RETAIN THE DRAWING OR UPON DEMAND, RETURN THE DRAWING, ALL COPIES THEREOF, AND ALL MATERIAL COPIED THEREFROM.</small>			
SIZE <b>A1</b>	PART NO. <b>47827483 001</b>	REVISION <b>A</b>	
SCALE 0.20	NOMENCLATURE	SHEET 2 OF 2	