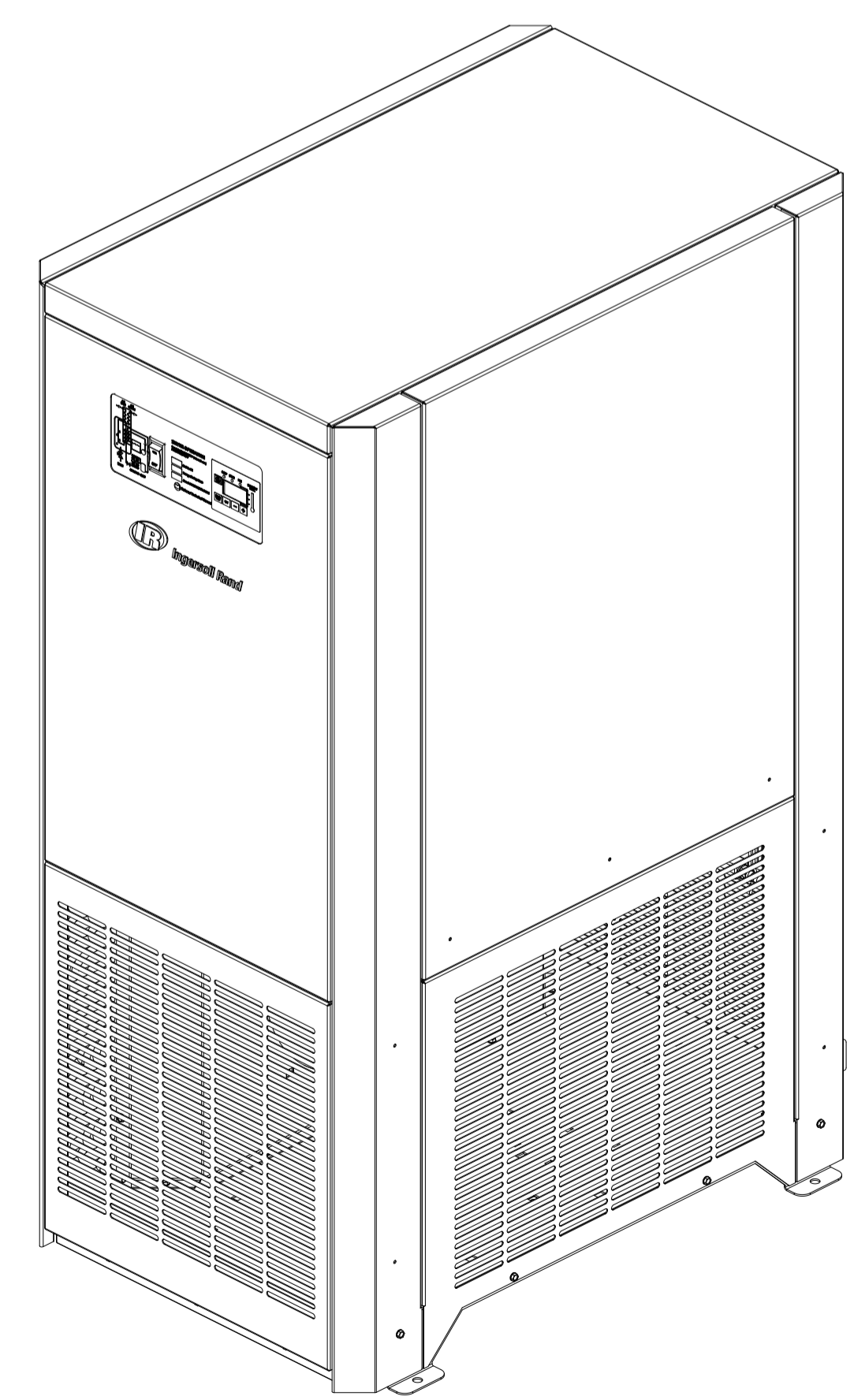
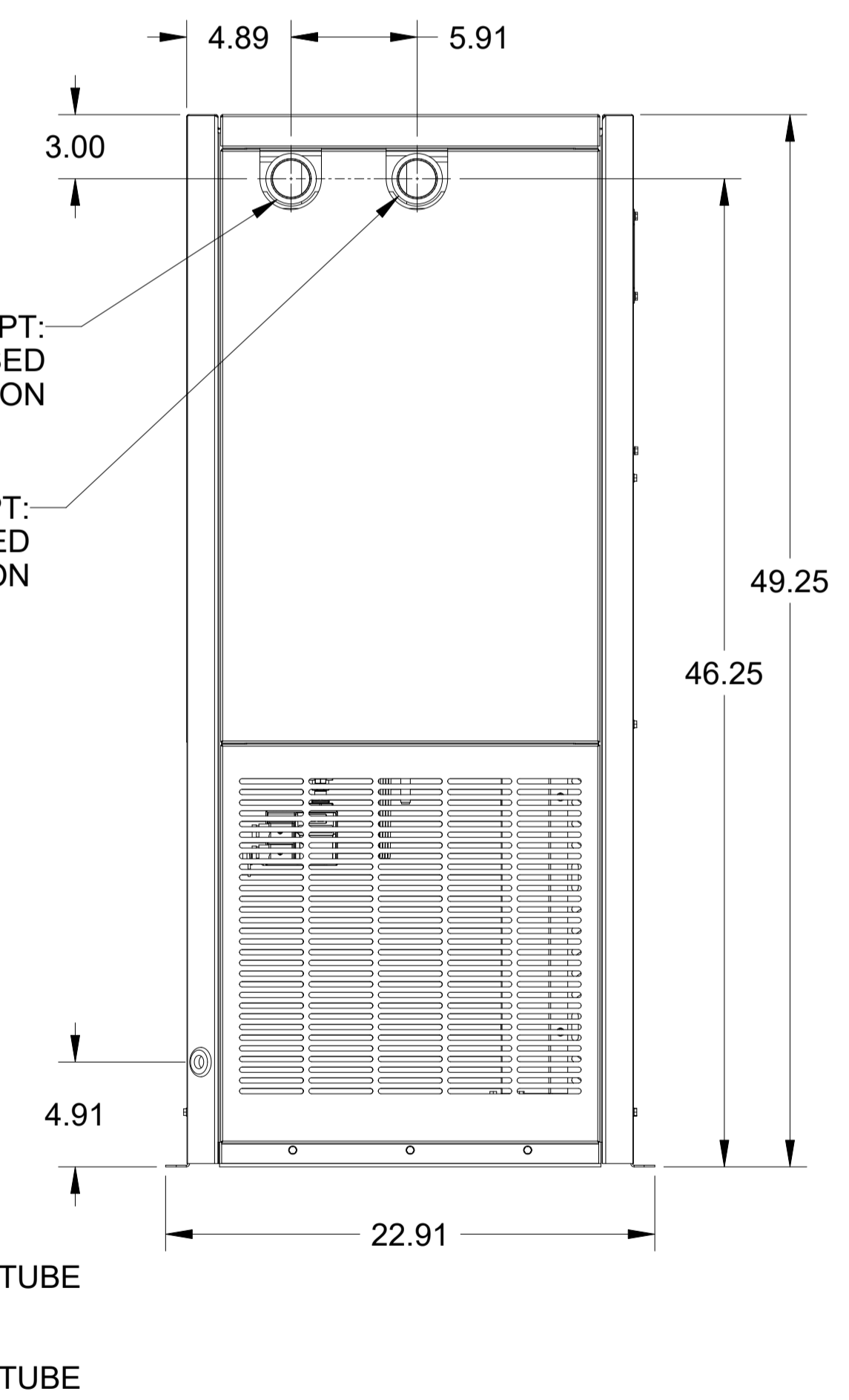
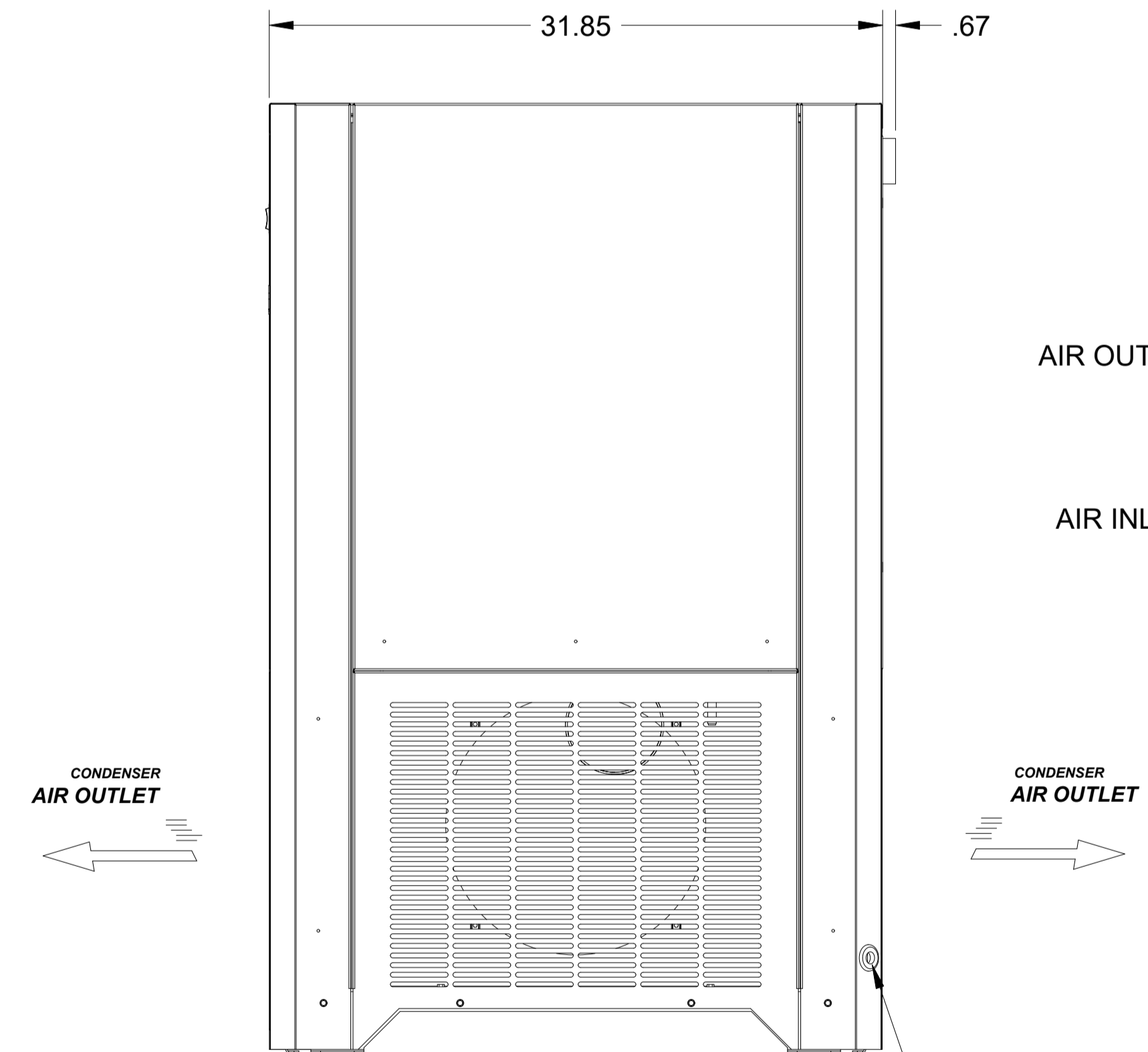
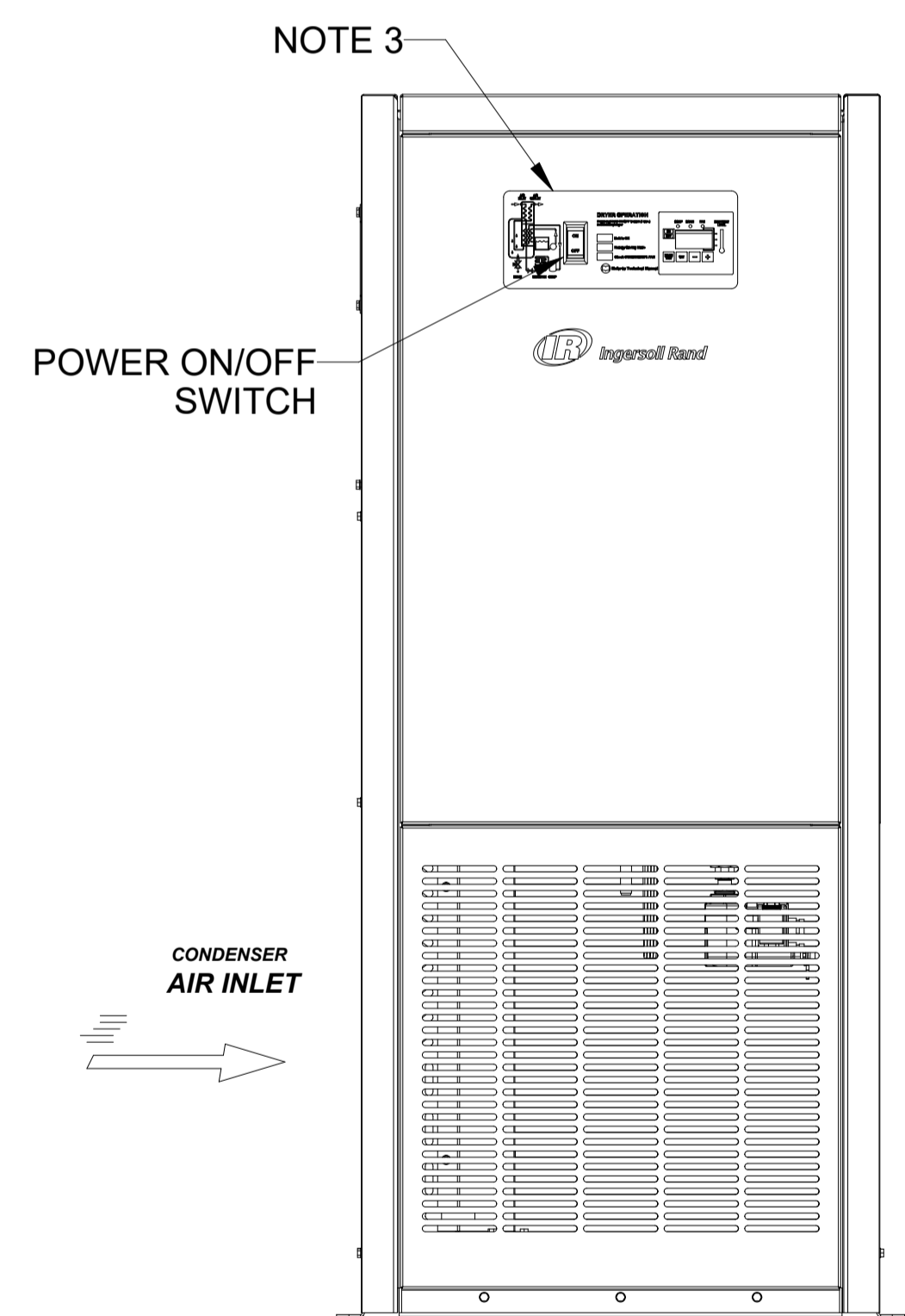
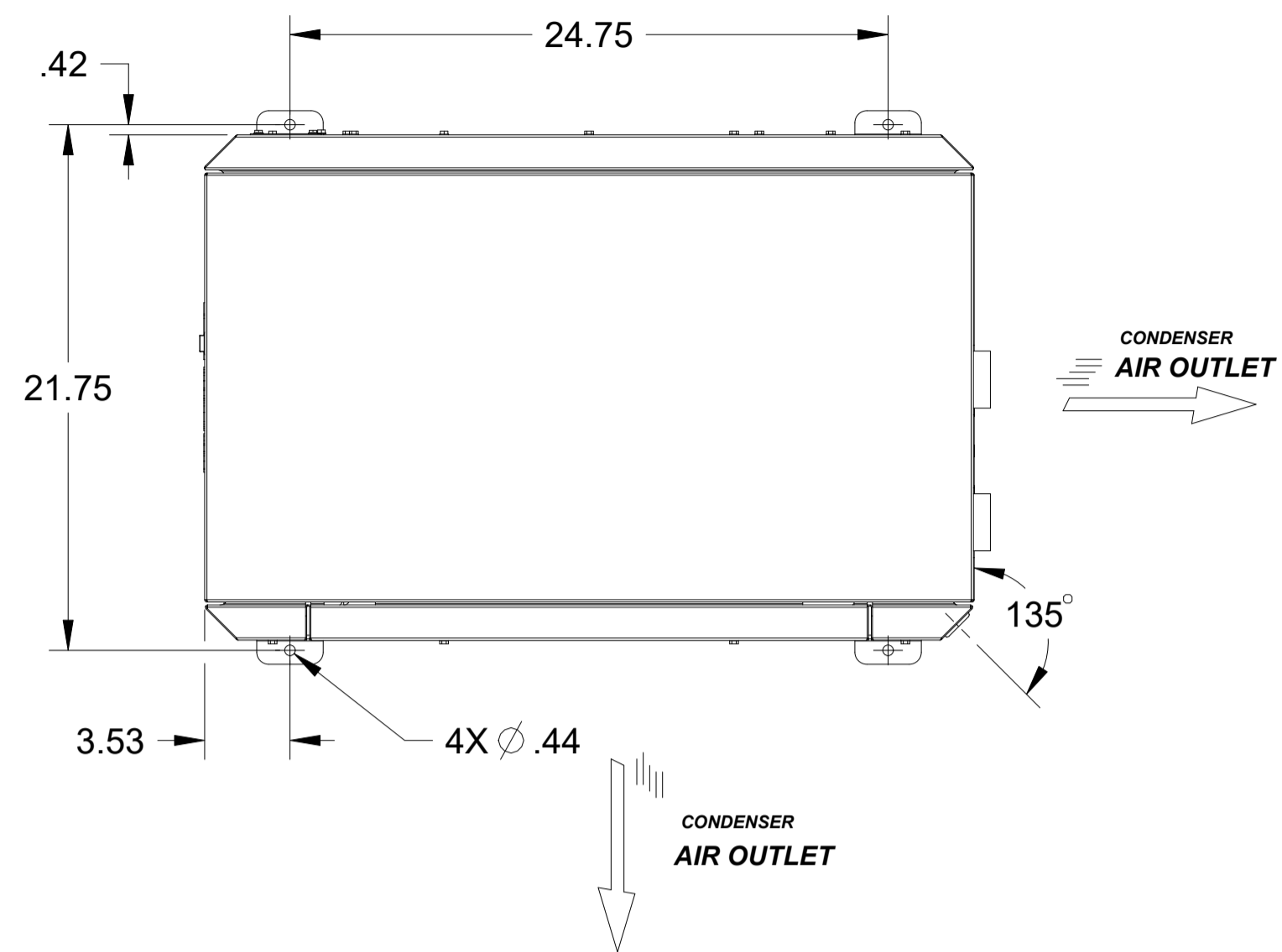


ZONE		REV	ECN	DESCRIPTION	DATE	DRAWN	APPROVED
		A	1462685	ORIGINAL RELEASE	2023MAR31	B.BASAVARAJ	P.NICK
		B	1525674	OVRLAY OMI CNTRLR MODIFIED	2025JAN10	B.BASAVARAJ	P.NICK

NOTES:

- PLEASE REFER TO TECHNICAL MANUAL AND ENGINEERING DATA SHEET FOR TECHNICAL DETAIL, INSTALLATION DETAIL, AND OPERATION INFORMATION.
- UNIT INSTALLATION MUST BE ON FLAT SURFACE.
- REFER TO MANUAL FOR CONTROLLER INFORMATION.
- FULL LENGTH OF DRAIN HOSE NOT SHOWN FOR CLARITY.



**THIS VIEW IS SHOWN FOR REFERENCE ONLY**

**STANDARD TOLERANCES**

ALL DIMENSIONS ARE IN INCHES [MILLIMETERS (IF SHOWN)]	
UNSPECIFIED TOLERANCES:	
ONE PLACE : (X)	= ± .25"
ANGLES : (X)	= ± 2.5°

Ingersoll-Rand Industrial Solutions

**WARNING:** THE EXPORT OR REEXPORT OF THIS DRAWING OR A PRODUCT PRODUCED BY THIS DRAWING IS SUBJECT TO U.S. EXPORT ADMINISTRATION REGULATIONS & OTHER APPLICABLE GOVERNMENT RESTRICTIONS OR REGULATIONS.

**INGERSOLL RAND**

**PROPRIETARY NOTICE:** THIS DRAWING CONTAINS CONFIDENTIAL AND TRADE SECRET INFORMATION. IS THE PROPERTY OF THE COMPANY., AND IS GIVEN TO THE RECEIVER IN CONFIDENCE. THE RECEIVER BY RECEPTION AND RETENTION OF THE DRAWING ACCEPTS THE DRAWING IN CONFIDENCE AND AGREES THAT, EXCEPT AS AUTHORIZED IN WRITING BY THE COMPANY, IT WILL (1) NOT USE THE DRAWING OR ANY COPY THEREOF OR THE CONFIDENTIAL OR TRADE SECRET INFORMATION THEREIN; (2) NOT COPY THE DRAWING; (3) NOT DISCLOSE TO OTHERS EITHER THE DRAWING OR THE CONFIDENTIAL OR TRADE SECRET INFORMATION THEREIN; AND (4) UPON COMPLETION OF THE NEED TO RETAIN THE DRAWING, OR UPON DEMAND, RETURN THE DRAWING, ALL COPIES THEREOF, AND ALL MATERIAL COPIED THEREFROM.

**DO NOT SCALE DRAWING**  
DRAWING CONFORMS TO ASME Y14.5M - 1994

CAD GENERATED DRAWING,  
NO MANUAL REVISIONS ALLOWED

UNLESS OTHERWISE SPECIFIED:  
- REMOVE ALL BURRS AND SHARP CORNERS  
- WELD SYMBOLS TO BE IN ACCORDANCE WITH ANSI/AWS A2.4

COPYRIGHT © 2025  
ALL RIGHTS RESERVED  
INGERSOLL RAND

THIRD ANGLE PROJECTION	
DRAWN	DATE
B.BASAVARAJ	2023MAR31
CHECKED	DATE
P.NICK	2023MAR31
APPROVED	DATE
P.NICK	2023MAR31
DRAWING TYPE	
GENERAL ARRANGEMENTS	
NOMENCLATURE	
-	

**IR Ingersoll Rand**

**GA DA340-420ECA**

SIZE	ESTIMATED WEIGHT (KG UNLESS OTHERWISE SPECIFIED)	PART NO.	REVISION
<b>A1</b>	-	<b>47801580 001</b>	<b>B</b>
SCALE	MODEL	SHEET	1 of 1
0.20	200-250		