

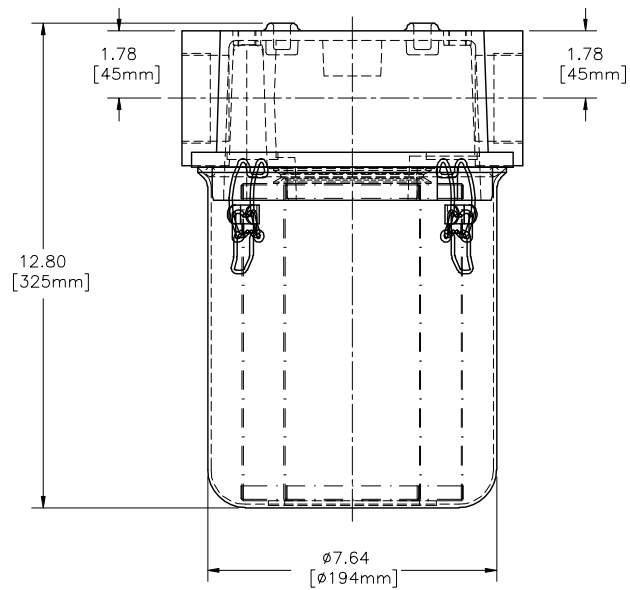
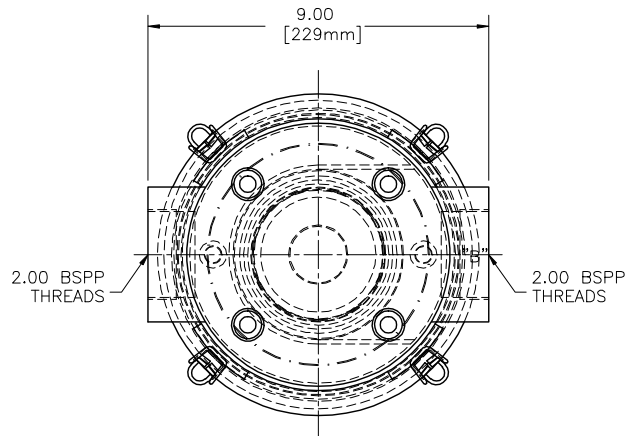
4

3

2

1

REVISIONS						
ZONE	REV	DESCRIPTION	ECN #	CHG BY	DATE	APP'D



REPLACEMENT ELEMENT# 850	
MATERIAL	PAPER
CFM FLOW	290
SURFACE AREA	14 SQ. FT.
I.D.	3.5
O.D.	5.88
HEIGHT	8.75

MODEL#	HOUSING MATERIAL	FINISH
CT-850-201C	CASTING/CARBON STEEL	CASTING/BLACK PAINT

The information contained herein is confidential and the property of Solberg Manufacturing Inc. and it is furnished to you with the expressed understanding that it will not be reproduced, copied in any manner, loaned or otherwise transferred to others entirely or in part, nor used for any purpose other than for which it was furnished. It will be returned upon request to Solberg Manufacturing Inc. The above restriction is in addition to, and does not in any way alter, any other restrictions which may apply to the information contained herein. The Illinois Circuit Court, Cook County Division has exclusive jurisdiction over any prosecution that may be necessary to uphold these restrictions.

UNLESS OTHERWISE SPECIFIED:  
 -DIMENSIONS ARE IN INCHES  
 -REF: APPROXIMATE DIMENSIONS, NO TOLERANCES APPLY  
 -TOLERANCES ARE:  
 DECIMALS: .XX ±.25  
 .XXX ±.125  
 ANGLES: ±2'  
 CUSTOMER APPROVAL:



SOLBERG MANUFACTURING INC.  
 1151 W. ARDMORE AVE.  
 ITASCA, IL 60143  
 630/773-1363

DESCRIPTION:  
 CT-850-201C

SALES REP.: H. KLEIER	SHEET: 1 of 1	SHEET C	SCALE: 1:2.5
APPROVALS	DATE	DRAWING NUMBER:	REV: —
DRAWN: CRW	03/18/04	SD10982	
APPROVED: P.G.	03/23/04		

4

3

2

1