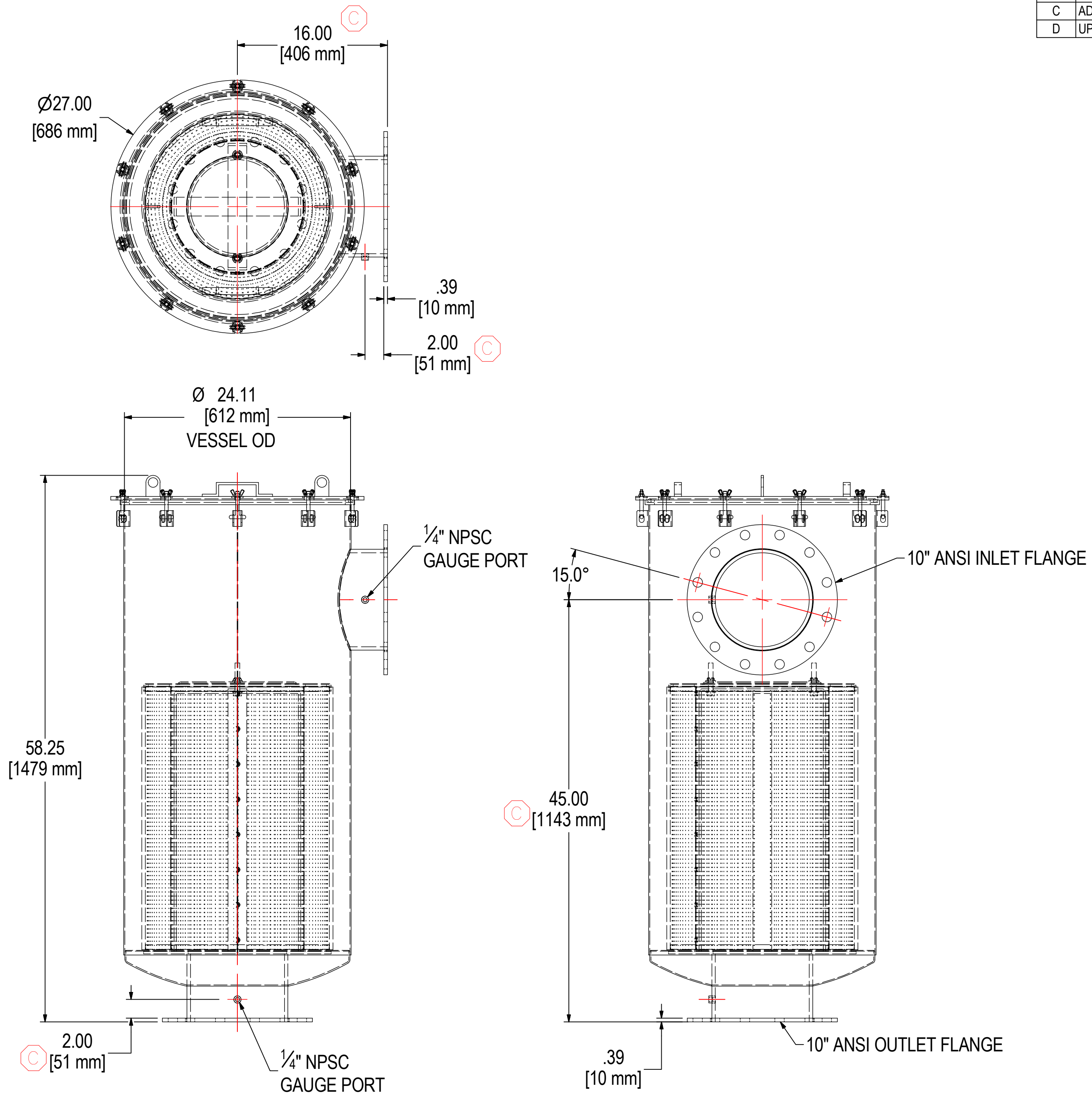



REV	DESCRIPTION	ECN #	CHG BY	DATE	APP'D
A	UPDATED TO MATCH NEW FAB DRAWING	3388	CRW	05/05/14	M.C.
B	FINISH WAS STANDARD BLACK	PRJ563	NAD	12/06/18	MJC
C	ADDED CRITICAL DIMENSIONS & FLANGE DETAIL	PROD	TAS	01/02/19	MJC
D	UPDATED TO ORIGINAL FAB DRAWING	15248	TAS	01/15/19	MJC



NOTE:  
DIMENSIONS WITH   
MUST BE MAINTAINED  
REGARDLESS OF FLANGE  
TOLERANCE ALLOWANCE.  
CRITICAL!!

ELEMENT SPECS		
PART NUMBER	685P	
MATERIAL	Polyester	
FLOW RATE	6600 CFM	11213 m <sup>3</sup> /hr
SURFACE AREA	100.0 ft <sup>2</sup>	9.3 m <sup>2</sup>
I.D.	14.00"	356mm
O.D.	19.63"	498mm
HEIGHT	28.50"	724mm

MODEL #: CSL-685P-1000F	MATERIAL: CARBON STEEL	FINISH: SEMI-GLOSS BLACK RAL9005
MODEL NUMBER: CSL-685P-1000F	SHEET: 1 OF 1	
DESCRIPTION: CSL-685P-1000F, SEMI-GLOSS BLACK RAL9005		
PROJECT:	DRAWN BY: NAR	APPROVED BY: M.C.
	DATE: 5/23/2013	DATE: 5/23/2013
		REV: D



**SOLBERG**  
Filtration • Separation • Silencing  
630.773.1363 • www.solbergmfg.com

THE INFORMATION CONTAINED HEREIN IS CONFIDENTIAL AND THE PROPERTY OF SOLBERG MANUFACTURING INC. AND IT IS FURNISHED TO YOU WITH THE EXPRESS UNDERSTANDING THAT IT WILL NOT BE REPRODUCED, COPIED IN ANY MANNER, LOANED OR OTHERWISE TRANSFERRED TO OTHERS ENTIRELY OR IN PART, NOR USED FOR ANY PURPOSE OTHER THAN FOR WHICH IT WAS FURNISHED. IT WILL BE RETURNED UPON REQUEST TO SOLBERG MANUFACTURING INC. THE ABOVE RESTRICTION IS IN ADDITION TO, AND DOES NOT IN ANY WAY ALTER, ANY OTHER RESTRICTIONS WHICH MAY APPLY TO THE INFORMATION CONTAINED HEREIN.

**TOLERANCES**  
DIMENSIONS ARE FOR REFERENCE ONLY. ALL DIMENSIONS ARE SUBJECT TO CHANGE UPON PRODUCTION.  
UNLESS OTHERWISE SPECIFIED:  
-DIMENSIONS ARE IN INCHES  
-REF: APPROXIMATE DIMENSIONS, NO TOLERANCES APPLY  
-FINISH: BREAK EDGES TO .005-.020 RADIUS/CHAMFER