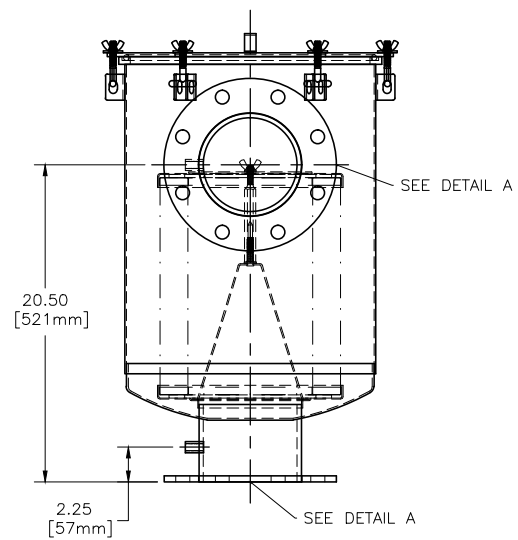
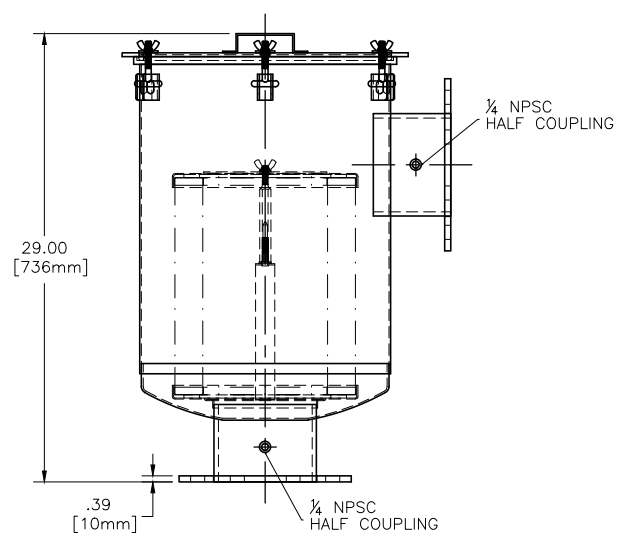
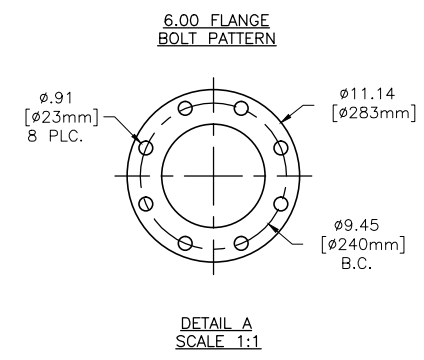
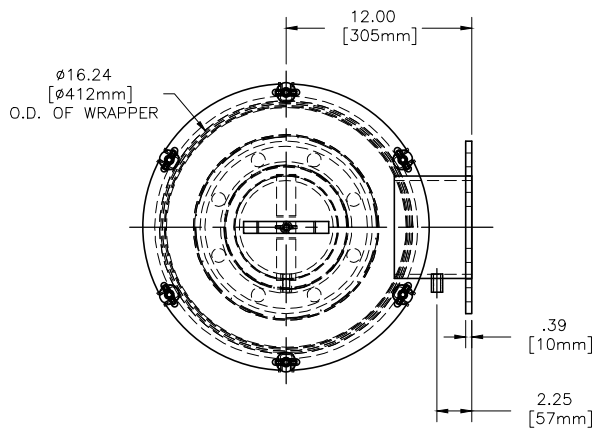


REVISIONS					
REV	DESCRIPTION	DR #	CHG BY	DATE	APP'D



ELEMENT	374P	ELEMENT	374P
MATERIAL	PAPER	MATERIAL	PAPER
FLOW RATE	2550 m3/hr	FLOW RATE	1500 CFM
SURFACE AREA	6.33 m2	SURFACE AREA	68.10 ft2
I.D.	203mm	I.D.	8.00"
O.D.	298mm	O.D.	11.75"
HEIGHT	368mm	HEIGHT	14.50"

MODEL #	MATERIAL	FINISH
CSL-374P-600F	CARBON STEEL	BLACK PAINT

The information contained herein is confidential and the property of Solberg Manufacturing Inc. and it is furnished to you with the express understanding that it will not be reproduced, copied in any manner, loaned or otherwise transferred to others entirely or in part, nor used for any purpose other than for which it was furnished. It will be returned upon request to Solberg Manufacturing Inc. The above restriction is in addition to, and does not in any way alter, any other restrictions which may apply to the information contained herein.

UNLESS OTHERWISE SPECIFIED:
 -DIMENSIONS ARE IN INCHES
 -FINISH: BREAK EDGES .005-.020 RADIUS/CHAMFER
 -REF: APPROXIMATE DIMENSIONS, NO TOLERANCES APPLY


 SOLBERG MANUFACTURING INC.
 1151 W. ARDMORE AVE.
 ITASCA, IL 60143
 630/616-4400

DESCRIPTION: CSL-374P-600F				
APPROVALS	DATE	SHEET: #	SHEET SIZE: C	SCALE: NTS
DRAWN: CRW	02/19/13	DRAWING NUMBER:		REV: -
APPROVED: M.C.	02/19/13	SD12961		