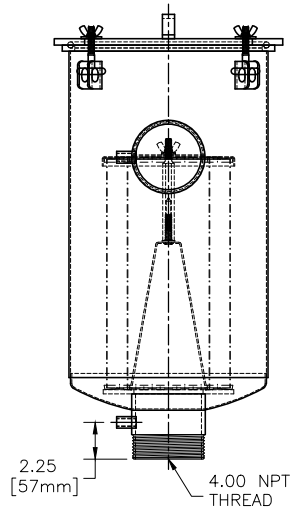
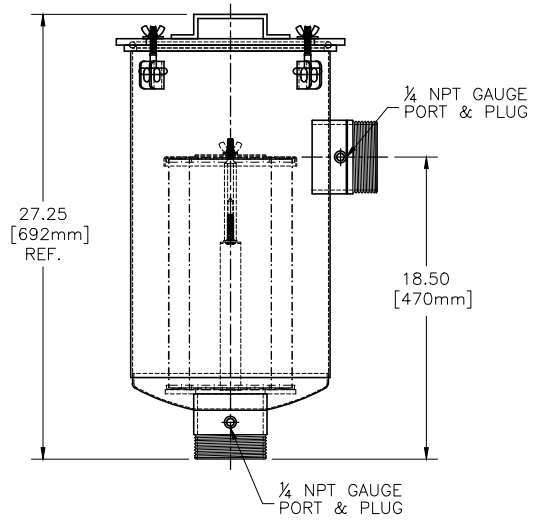
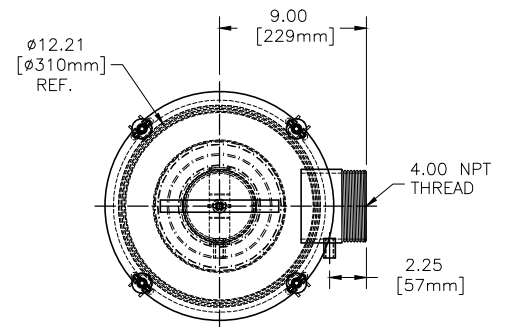


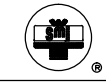
REVISIONS					
REV	DESCRIPTION	DR #	CHG BY	DATE	APP'D



REPLACEMENT ELEMENT# 335P	
MATERIAL	POLYESTER
CFM FLOW	800
SURFACE AREA	12 SQ. FT.
I.D.	4.75
O.D.	7.88
HEIGHT	14.50

MODEL#	HOUSING MATERIAL	FINISH
CSL-335P-400	CARBON STEEL	BLACK PAINT RAL #9005

The information contained herein is confidential and the property of Solberg Manufacturing Inc. and it is furnished to you with the express understanding that it will not be reproduced, copied in any manner, loaned or otherwise transferred to others entirely or in part, nor used for any purpose other than for which it was furnished. It will be returned upon request to Solberg Manufacturing Inc. The above restriction is in addition to, and does not in any way alter, any other restrictions which may apply to the information contained herein.



SOLBERG MANUFACTURING INC.
1151 W. ARDMORE AVE.
ITASCA, IL 60143
630/616-4400

UNLESS OTHERWISE SPECIFIED:
-DIMENSIONS ARE IN INCHES
-FINISH: BREAK EDGES .005-.020 RADIUS/CHAMFER
-REF: APPROXIMATE DIMENSIONS, NO TOLERANCES APPLY

DESCRIPTION:
CSL-335P-400

APPROVALS	DATE	SHEET: #	SHEET SIZE: C	SCALE: NTS
DRAWN: JAB	07/21/10	DRAWING NUMBER:	SD10250	REV: -
APPROVED: -	-			