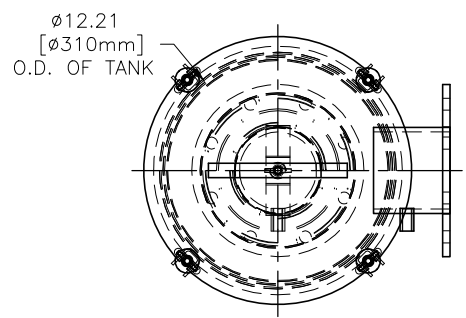
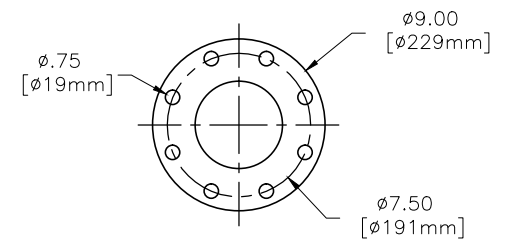


4 | 3 | 2 | 1

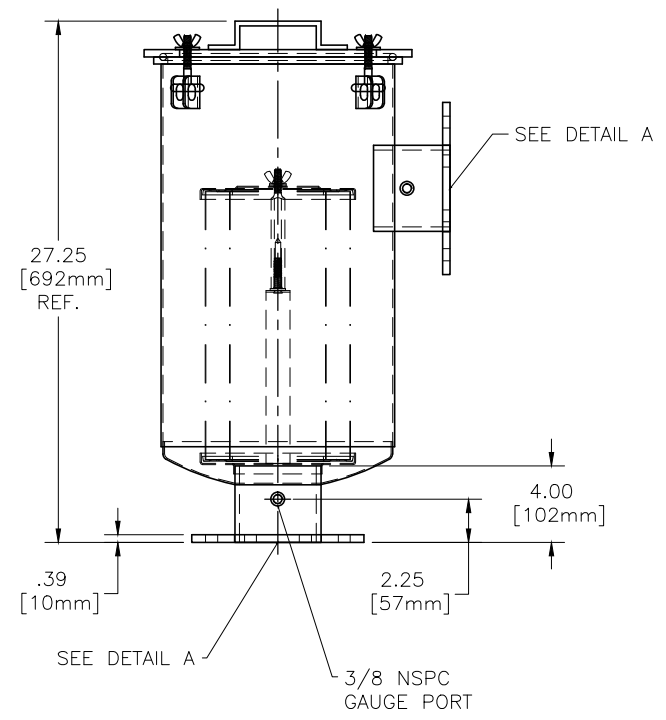
REVISIONS						
ZONE	REV	DESCRIPTION	ECN #	CHG BY	DATE	APP'D



4.00 FLANGE
BOLT PATTERN



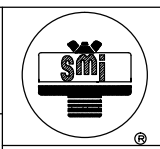
DETAIL A
SCALE 1:1



ELEMENT	334P	ELEMENT	334P
MATERIAL	PAPER	MATERIAL	PAPER
FLOW RATE	1359 m ³ /hr	FLOW RATE	800 CFM
SURFACE AREA	3.16 m ²	SURFACE AREA	34 ft ²
I.D.	121mm	I.D.	4.75"
O.D.	200mm	O.D.	7.88"
HEIGHT	368mm	HEIGHT	14.50"

MODEL#	HOUSING MATERIAL	FINISH
CSL-334P-400F	CARBON STEEL	BAKED ENAMEL GREY

The information contained herein is confidential and the property of Solberg Manufacturing Inc. and it is furnished to you with the expressed understanding that it will not be reproduced, copied in any manner, loaned or otherwise transferred to others entirely or in part, nor used for any purpose other than for which it was furnished. It will be returned upon request to Solberg Manufacturing Inc. The above restriction is in addition to, and does not in any way alter, any other restrictions which may apply to the information contained herein. The Illinois Circuit Court, Cook County Division has exclusive jurisdiction over any prosecution that may be necessary to uphold these restrictions.



SOLBERG MANUFACTURING INC.
1151 W. ARDMORE AVE.
ITASCA, IL 60143
630/773-1363

DESCRIPTION:
CSL-334P-400F

UNLESS OTHERWISE SPECIFIED:
-DIMENSIONS ARE IN INCHES
-REF: APPROXIMATE DIMENSIONS, NO TOLERANCES APPLY
-TOLERANCES ARE:

DECIMALS:	.XX	±.25
ANGLES:	XXX	±1.25
		±'

SALES REP.:	DATE
APPROVALS	07/16/07
DRAWN: ABL	
APPROVED:	

SHEET: 1 of 1	SHEET SIZE: C	SCALE: NTS
DRAWING NUMBER: SD12941	REV: —	

CUSTOMER APPROVAL:

4 | 3 | 2 | 1