

4 3 2 1

ZONE/REV		DESCRIPTION	REVISIONS			
ZONE	REV		CDR #	CHG BY	DATE	APP'D

D

D

C

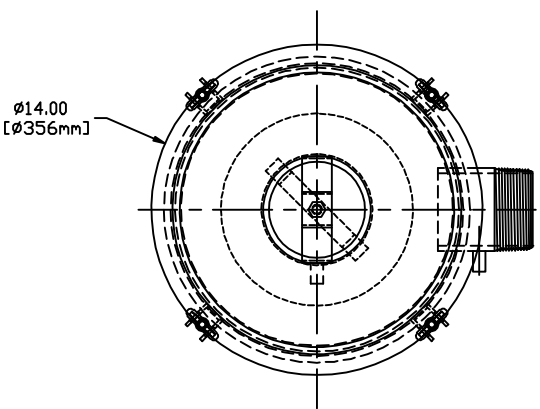
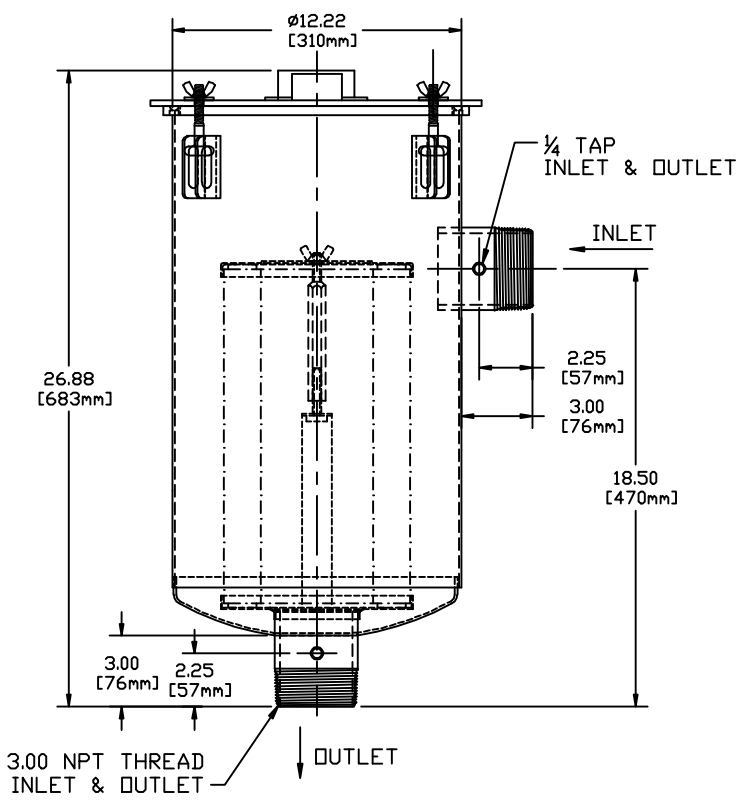
C

B

B

A

A



REPLACEMENT ELEMENT 334P	
MATERIAL	PAPER
CFM FLOW	280
SURFACE AREA	34 SQ. FT.
I.D.	4.75
O.D.	7.88
HEIGHT	14.50

MODEL#	HOUSING MATERIAL	FINISH
CSL-334P-300	CARBON STEEL	BAKED ENAMEL GREY
CSL-334P-300B	CARBON STEEL	BAKED ENAMEL BLACK
CSL-334P-300S1	STAINLESS STEEL	NONE

The information contained herein is confidential and the property of Solberg Manufacturing Inc. and it is furnished to you with the expressed understanding that it will not be reproduced, copied in any manner, loaned or otherwise transferred to others entirely or in part, nor used for any purpose other than for which it was furnished. It will be returned upon request to Solberg Manufacturing Inc. The above restriction is in addition to, and does not in any way alter, any other restrictions which may apply to the information contained herein. The Illinois Circuit Court, Cook County Division has exclusive jurisdiction over any prosecution that may be necessary to uphold these restrictions.



SOLBERG MANUFACTURING INC.
1151 W. ARDMORE AVE.
ITASCA, IL 60143
630/773-1363

DESCRIPTION:
CSL-334P-300

UNLESS OTHERWISE SPECIFIED
DIMENSIONS ARE IN INCHES
TOLERANCES ARE:

FRACTIONS: ±1/4
DECIMALS: .XX ±.125
 .XXX ±.063
ANGLES: ±2

CUSTOMER APPROVAL: _____
DATE: _____

SALES REP: _____
APPROVALS: _____ DATE: 05/23/00
DRAWN: JAB
ENGINEER: _____
APPROVED: _____

SCALE: 1:4
SHEET: 1 of 1 WT. MAX.: - SIZE: C
MATERIAL: SEE TABLE FINISH: SEE TABLE
DRAWING NUMBER: SD10718

4 3 2 1