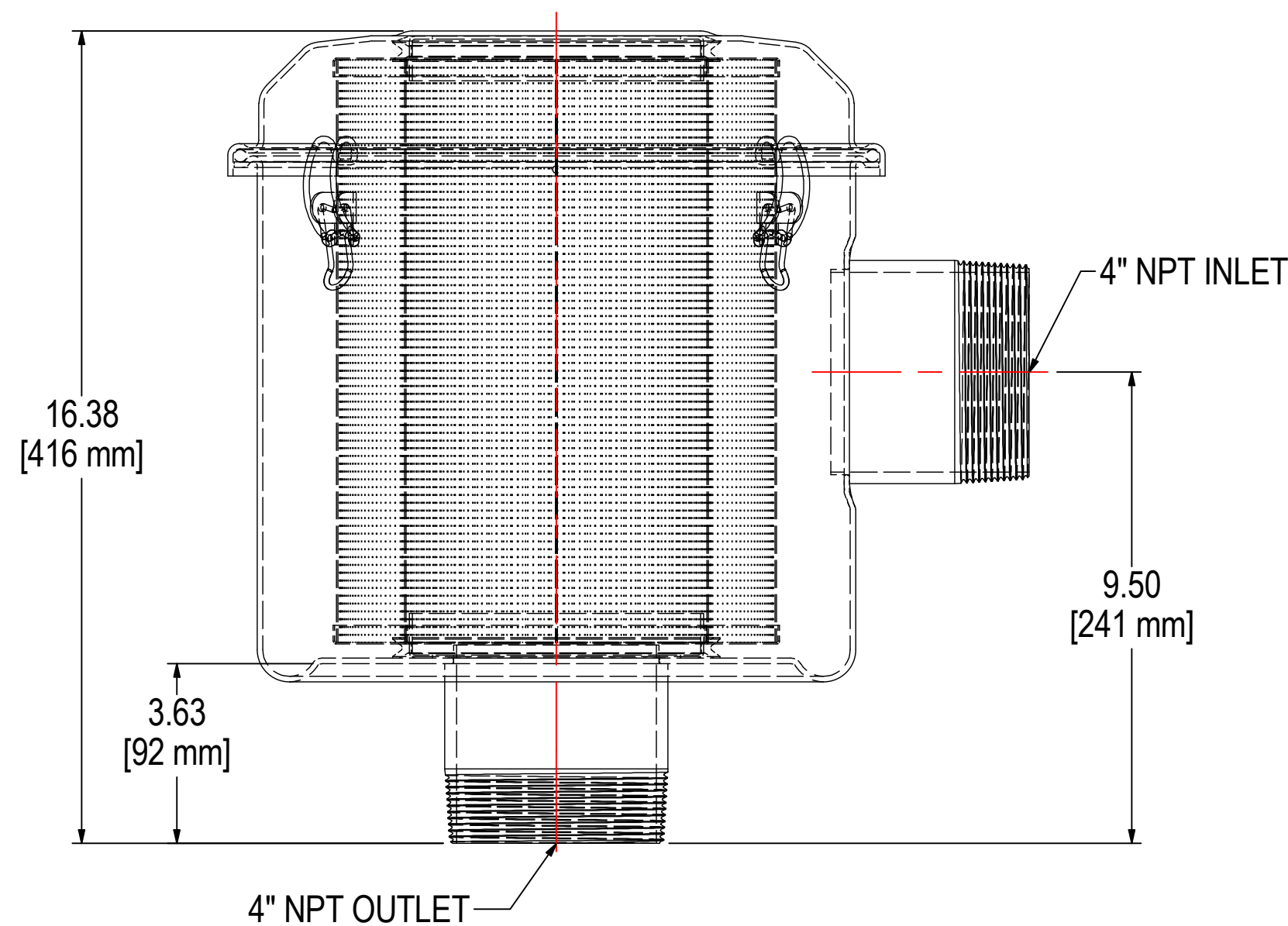
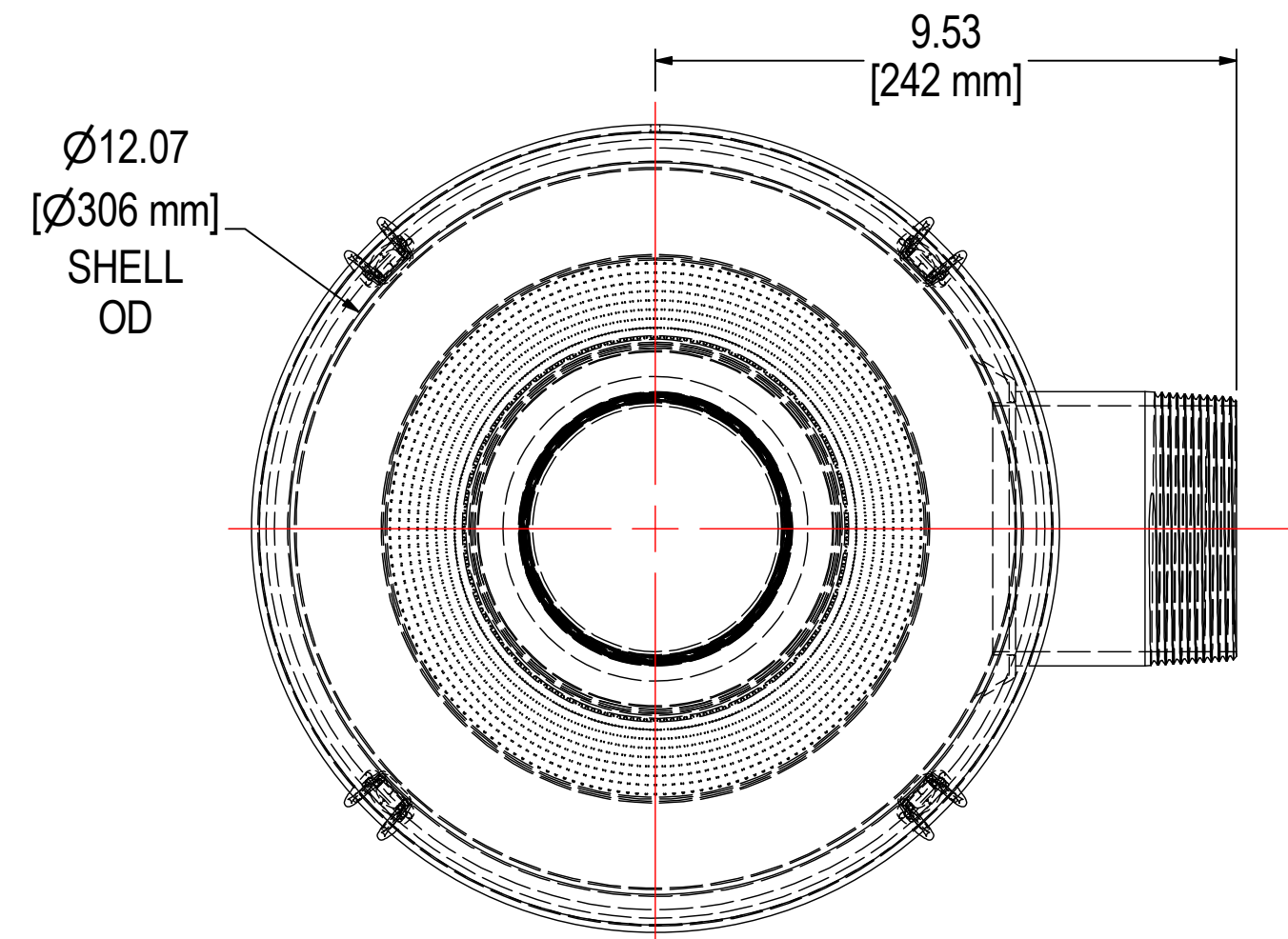


REV	DESCRIPTION	ECN #	CHG BY	DATE	APP'D
A	REMOVED BAFFLE, MODEL NUMBER WAS CSL-2540-400	14835	NAD	11/02/18	EZR



ELEMENT SPECS		
PART NUMBER	2540	
MATERIAL	Paper	
FLOW RATE	800 CFM	1360 m <sup>3</sup> /hr
SURFACE AREA	35.1 ft <sup>2</sup>	3.3 m <sup>2</sup>
I.D.	6.00"	152mm
O.D.	9.00"	229mm
HEIGHT	11.81"	300mm

MODEL #: CSL-2540-400B	MATERIAL: CARBON STEEL	FINISH: BLACK POWDER	SHEET: 1 OF 1
MODEL NUMBER: CSL-2540-400B			
DESCRIPTION: CSL-2540-400B, DOMED TOP, 4" PIPE W/ SHOULDER, BLACK			
PROJECT:	DRAWN BY: ARL	APPROVED BY: JSR	REV: A
	DATE: 10/25/2018	DATE: 10/25/2018	

THE INFORMATION CONTAINED HEREIN IS CONFIDENTIAL AND THE PROPERTY OF SOLBERG MANUFACTURING INC. AND IT IS FURNISHED TO YOU WITH THE EXPRESS UNDERSTANDING THAT IT WILL NOT BE REPRODUCED, COPIED IN ANY MANNER, LOANED OR OTHERWISE TRANSFERRED TO OTHERS ENTIRELY OR IN PART, NOR USED FOR ANY PURPOSE OTHER THAN FOR WHICH IT WAS FURNISHED. IT WILL BE RETURNED UPON REQUEST TO SOLBERG MANUFACTURING INC. THE ABOVE RESTRICTION IS IN ADDITION TO, AND DOES NOT IN ANY WAY ALTER, ANY OTHER RESTRICTIONS WHICH MAY APPLY TO THE INFORMATION CONTAINED HEREIN.

**TOLERANCES**  
 DIMENSIONS ARE FOR REFERENCE ONLY. ALL DIMENSIONS ARE SUBJECT TO CHANGE UPON PRODUCTION.  
 UNLESS OTHERWISE SPECIFIED:  
 -DIMENSIONS ARE IN INCHES  
 -REF: APPROXIMATE DIMENSIONS, NO TOLERANCES APPLY  
 -FINISH: BREAK EDGES TO .005-.020 RADIUS/CHAMFER

**SOLBERG**  
 Filtration • Separation • Silencing  
 630.773.1363 • www.solbergmfg.com