

## Flanged Filters & Water Separators 900 to 3000 SCFM

Altec AIR's A-PRO Series High Efficiency Compressed Air Filters feature an innovative modular design and provide a flexible, reliable, and compact compressed air filtration solution.

Our A-PRO Series Water Separator uses centrifugal force to remove bulk water found in compressed air systems to avert water contamination.

- Compact & Modular Design - 65% lighter & 45% smaller than comparative fabricated models
- High Efficiency - Filtration media delivers optimum performance in line with quality standard ISO 8573-1:2010(E)
- Unique Centrifugal Water Separator Modules - Remove 99% of bulk water when tested in accordance with ISO 8573-9
- Reduced Service Time - Top loading Filter design for easy access to the Filter Element
- Externally Accessible Drain Valves - Unique easy access drain can be removed externally and is standard on all models



### FEATURES

- Available in a range of 3" and 4" flanged vessels
- Maximum Pressure - 232 PSIG (16 barg)
- Differential Pressure Indicators standard on Single Element Particulate & Coalescing Filters
- Automatic Float Drain standard on Coalescing Filters  
Manual Drain standard on Particulate Filters
- Utilizes only one set of Inlet / Outlet ports
- Fully compliant with international approvals - CE, CRN

### OPTIONS

- \*\*Grade X5 - 5 micron Particulate & Coalescing
- \*\*Grade X1 - 1 micron Particulate & Coalescing
- \*\*Grade XA - 0.01 micron Particulate & Coalescing
- \*\*Grade AC - 0.01 micron Activated Carbon
- Wall Mounting Brackets
- Floor Mounting Brackets

[www.AltecAIR.com](http://www.AltecAIR.com)  
**800.521.5351**

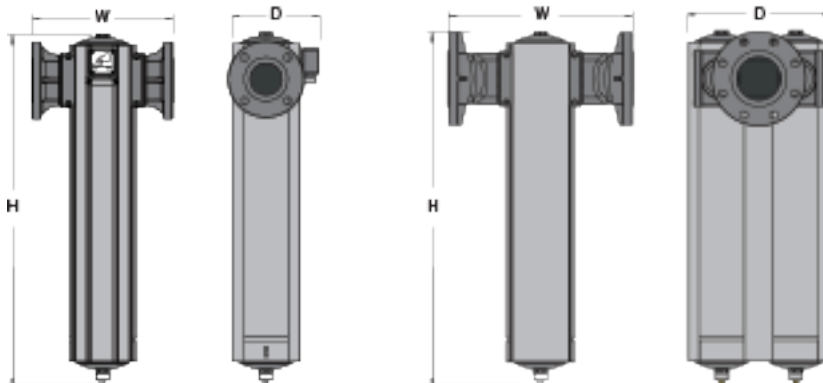
**Altec | AIR**  
A-PRO SERIES  
FLANGED FILTERS & WATER SEPARATORS

## COMPLETE FILTERS - FLANGED

	A*-PRO-0900**	A*-PRO-1250**	A*-PRO-1500**	A*-PRO-1800**	A*-PRO-2500**	A*-PRO-3000**	
SPECIFICATIONS	Flow Capacity (SCFM @ 100 PSIG)	900	1250	1500	1800	2500	3000
	Connection	3" Flanged			4" Flanged		
	Minimum / Maximum Recommended Operating Temperature	35°F (1.5°C) / 176°F (80°C)					
	Max Working Pressure	232 PSIG (16 barg)					
	Replacement Filter Element	EX0900**	EX1250**	EX1500**	EX1800**	EX2500**	EX3000**
	Number of Elements	1			2		

\* Indicates either C for Coalescing or P for Particulate reverse flow  
 \*\* Indicates Grade (X5, X1, XA, AC)

	Weight	Height	Width	Depth	
DIMENSIONS	A*-PRO-0900**	37 lbs (16.7 kg)	25.6" (650 mm)	13.9" (352 mm)	8.5" (217 mm)
	A*-PRO-1250**	45 lbs (20.4 kg)	34.3" (870 mm)		
	A*-PRO-1500**	56 lbs (22.9 kg)	40.4" (1027 mm)		
	A*-PRO-1800**	68 lbs (30.8 kg)	25.6" (650 mm)	18.0" (457 mm)	13.5" (343 mm)
	A*-PRO-2500**	83 lbs (37.7 kg)	34.3" (870 mm)		
	A*-PRO-3000**	93 lbs (42.3 kg)	40.4" (1027 mm)		



A\*-PRO-0900\*\* - A\*-PRO-1500\*\*

A\*-PRO-1800\*\* - A\*-PRO-3000\*\*

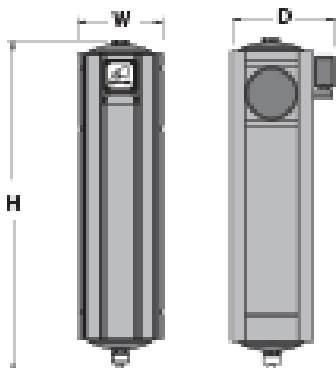
## FILTER MODULES

Filter Modules are supplied without flanged connection ports and include one set of slim-line connectors to allow multi-banking of filter housings.

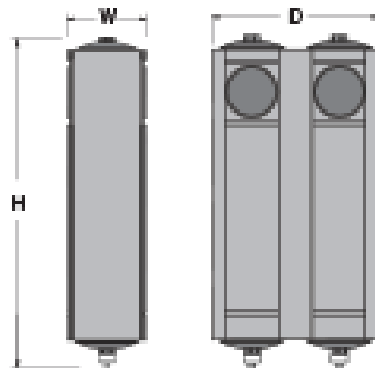
	A*M-PRO-0900**	A*M-PRO-1250**	A*M-PRO-1500**	A*M-PRO-1800**	A*M-PRO-2500**	A*M-PRO-3000**	
SPECIFICATIONS	Flow Capacity (SCFM @ 100 PSIG)	900	1250	1500	1800	2500	3000
	Minimum / Maximum Recommended Operating Temperature	35°F (1.5°C) / 176°F (80°C)					
	Max Working Pressure	232 PSIG (16 barg)					
	Replacement Filter Element	EX0900**	EX1250**	EX1500**	EX1800**	EX2500**	EX3000**
	Number of Elements	1			2		

\* Indicates either C for Coalescing or P for Particulate reverse flow  
 \*\* Indicates Grade (X5, X1, XA, AC)

	Weight	Height	Width	Depth	
DIMENSIONS	A*M-PRO-0900**	25 lbs (11.2 kg)	25.6" (650 mm)	6.1" (168 mm)	8.5" (217 mm)
	A*M-PRO-1250**	33 lbs (14.9 kg)	34.3" (870 mm)		
	A*M-PRO-1500**	38 lbs (17.4 kg)	40.4" (1027 mm)		
	A*M-PRO-1800**	45 lbs (20.4 kg)	25.6" (650 mm)	13.5" (343 mm)	
	A*M-PRO-2500**	60 lbs (27.3 kg)	34.3" (870 mm)		
	A*M-PRO-3000**	70 lbs (31.9 kg)	40.4" (1127 mm)		



A\*M-PRO-0900\*\* - A\*M-PRO-1500\*\*



A\*M-PRO-1800\*\* - A\*M-PRO-3000\*\*

## FILTER ELEMENT CLASSES\*\*

	X5	X1	XA	AC
Particle Removal	5 micron	1 micron	0.01 micron	0.01 micron
Maximum Particle Size Class*	3	2	1	1
Maximum Oil Content	4	2	1	1
Maximum Oil Carryover at 68°F	5 mg/m <sup>3</sup>	0.1 mg/m <sup>3</sup>	0.1 mg/m <sup>3</sup>	0.003 mg/m <sup>3</sup>
Pressure Loss: Clean & Dry (PSI)	0.6	1.1	1.5	1.1
Pressure Loss: Saturated (PSI)	1.1	2.2	4.4	-
Pressure Loss: Element Change (PSI)	6	6	6	1000 hours / 6 months
Maximum Temperature	176°F (80°C)			122°F (50°C)
Maximum Working Pressure	232 PSIG (16 barg)			
Element End Cap Color	Green	Red	Blue	Black

\* To ISO 8573-1:2010(E)

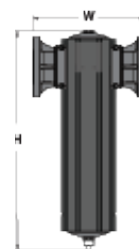


## COMPLETE WATER SEPARATORS - FLANGED

	AW-PRO-1500	AW-PRO-3000
Flow Capacity (SCFM @ 100 PSIG)	1500	3000
Connection	3" Flanged	4" Flanged
Minimum / Maximum Recommended Operating Temperature	35°F (1.5°C) / 176°F (80°C)	
Max Working Pressure	232 PSIG (16 barg)	



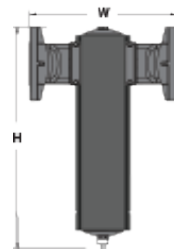
	Weight	Height	Width	Depth
AW-PRO-1500	35 lbs (15.7 kg)	25.6" (650 mm)	13.9" (352 mm)	6.7" (171 mm)
AW-PRO-3000	65 lbs (29.3 kg)		18.0" (457 mm)	13.5" (343 mm)



AWS-PRO-1500



AWS-PRO-3000



For more complete information on Altec AIR products and services, visit us on the web at [www.AltecAIR.com](http://www.AltecAIR.com). Material and specifications are subject to change without notice. Featured units in photos may include optional features. Please contact an Altec AIR representative for all available options. Altec AIR logo is a registered trademarks of Altec Inc. in the United States and various other countries and may not be used without permission. © 2020 Altec AIR. All Rights Reserved. SPEC-A-PRO-0221