

### FEATURES

- Non-contact design
- Dry (oil-free) pumping chamber
- Air-cooled & direct driven
- Simple, Modular Construction
- Suitable for Variable Speed Applications

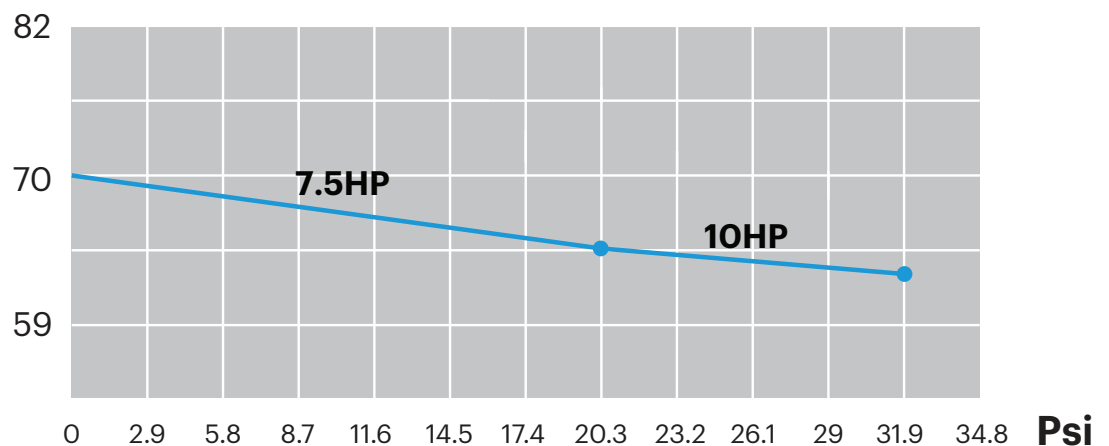


The Airtech PCX positive displacement rotary claw design is air cooled, dry-running and non-contacting. These features, along with quality construction results in a pressure pump that is extremely high in reliability and a long service life. The non-contact design eliminates internal wear and maintenance. No water levels to check due to air-cooled operation and no sealing or lubricating oil is needed in the pumping chamber.

The claw shaped rotors inside the pump housing rotate in opposite directions, compressing the air and discharging through a silencer to the atmosphere. The two rotors are synchronized by gears that are oil lubricated to facilitate a long gear life.

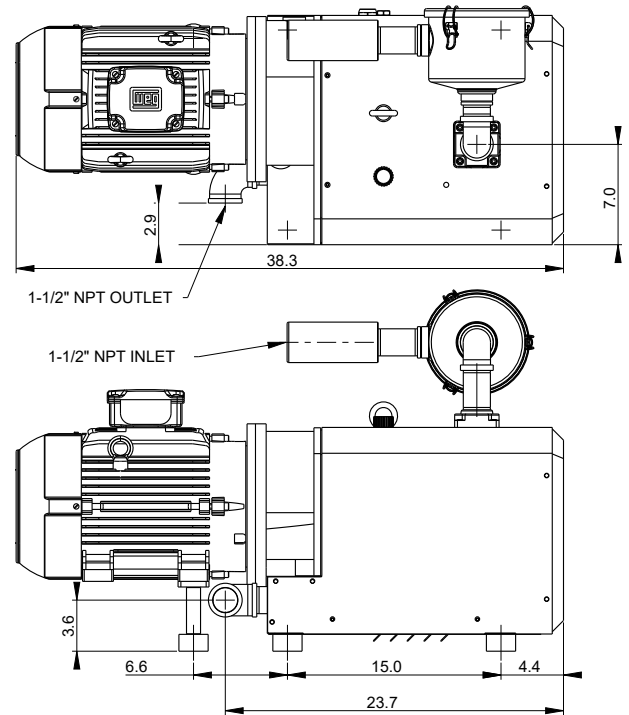
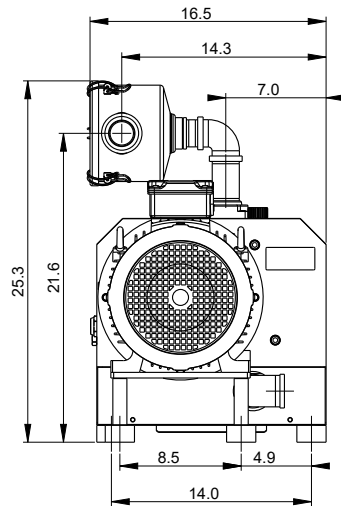
### PERFORMANCE CURVE

#### CFM



Specifications are subject to change without notice. Please contact factory for specification updates.

### DIMENSIONS (INCHES)



### PERFORMANCE DATA

Model	PCX 105
Capacity [CFM]	70.6
Ultimate pressure (psig)	20.3/31.9
Motor Rating (HP)	7.5/10
Speed (RPM)	3450
Voltage	208-230/460V
Oil capacity (qt.)	0.5
Average noise level (dB[A])	80
Inlet/outlet connections	1.5"
Weight (lbs)*	313

\*Depends on motor manufacturer

#### AIRTECH, INC.

RUTHERFORD, NJ 07070  
WWW.AIRTECHUSA.COM  
TEL: (888) 222-9940  
FAX: (201) 569-1696