



Aircel AMD

Heatless Desiccant Compressed Air Dryers

airceldryers.com



The ultimate filtration & drying technology

Aircel AMD

The Company

Aircel is one of the leading manufacturers of high efficiency compressed air filtration and drying equipment.

The Company has built a worldwide reputation for superior technology. Our portfolio encompasses both industrial and business markets with the complete range illustrating the diverse nature and expert capabilities of Aircel.

By manufacturing and testing to the highest specification, we can provide superior value, high quality and tailored solutions.



The need for clean and dry compressed air

Compressed air is an important source of energy. The need for an air supply to be clean and contaminant free is crucial. So too, is the need for dry air, without traces of water or oil vapor. Any form of moisture in a compressed air line has the potential to cause costly downtime, machine damage and product spoilage.

Energy efficiency

Compressed air accounts for approximately 10% of the energy used in industry today.

A compressed air system is one of the most important determinants of overall system efficiency and represents one of the largest opportunities for energy savings on any site. There can also be significant cost benefits of an efficiently designed and maintained compressed air system.

Aircel AMD offers a multitude of additional energy saving features. From a simple power on indicator through to a service warning light, the effective energy saving feature allows the dryer to be linked with a compressor control system and reduces air consumption during periods of low demand.





The solution

Inspired by its sophisticated predecessor, Aircel Dryers can now boast an additional ten models to enhance the current Aircel AMD range.

With flow rates from 4 scfm (7 Nm³/h - 1.94 l/s) to 365 scfm (620 Nm³/h - 172 l/s), the entire range can operate at -40°C / -40°F pressure dewpoint as standard, with an option of -70°C / -100°F for more critical applications. The range has been designed and engineered to meet the air purity class in accordance with ISO 8753:1-2001 (E).

The units have an intelligent diagnostic system installed as standard on each model, which is unique to Aircel. Ease of service has been foremost in the design. Each unit can be serviced without disturbing the surrounding pipework. Desiccant cartridges can also be changed out effectively without causing excessive down time.

The compact size of the Aircel AMD ensures that installation is simple and versatile. The units can be installed in small spaces in either a vertical or horizontal position.

To complement its vast range of operational features, models AMD-004 and AMD-035 may also be floor or wall mounted. Models AMD-004 to AMD-035 have multiple porting options with a total of six inlet / outlet connections and many pipework possibilities.

The application

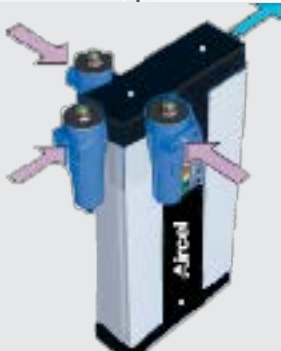
Recognizing that processes operating a compressed air dryer often have differing requirements, Aircel has tailored the features of Aircel AMD so that the dryers can be utilized to suit various industrial applications.



Typical applications include automotive, railway, power stations, paint spraying, instrumentation, packaging, pharmaceutical, general industrial use and many more.

Dryer Features

- Suitable for worldwide installation
- Approved to International Standards
- Multi voltage capabilities
- Extruded aluminum towers fully painted for corrosion protection
- Removable front panel allows for easy access and servicing
- Standard controller incorporates an optional energy management system which operates in conjunction with dedicated compressors
- Intelligent electronic processor
- Simple purge plug change-out, no need to dismantle units
- Easy and efficient servicing
- Spring loaded desiccant cartridges to avoid desiccant attrition
- Clear cartridges designed to enable visible inspection of desiccant condition
- Internal silencer to reduce noise levels and ensure a smooth chamber depressurization
- Suitable for wall mounting and horizontal integration.
- Minimal serviceable spares



Aircel

Features

Each Aircel AMD unit has been designed to suit a multitude of requirements and is suitable for installation in many countries. The Aircel AMD range adheres to our innovative principles and provides the most essential features needed for the most effective solutions.



Example of model AMD-004N - AMD-035N



Benefits

P Economical to use

Aircel's high performance dryers provide a host of financial benefits such as an integral electronic drain and service interval indication, all of which are included in the standard dryer package.

P Clean & dry air

With XA grade 0.01 micron oil removal filtration (supplied as standard on all models), an integral 1 micron dust filter and a choice of $-40\%C / -40\%F$ or $-70\%C / -100\%F$ pressure dewpoints, Aircel AMD meets and exceeds the highest standards of purity as specified in ISO 8573:1-2001.

P Worldwide installation

The units can recognize any voltage between 100-240 VAC and also any voltage between 12 to 24 VDC, meaning the Aircel AMD can be operated anywhere in the world. All dryers are built to be fully compliant with all approvals.

P Intelligent processor

A feature of each unit is an intelligent built-in central processing unit (CPU). The optional software interface package provides a sophisticated system which allows for remote interrogation of the dryer. The CPU is serialized and is housed in an IP65 rated enclosure.

P Energy management

Aircel AMD offers a multitude of additional energy saving features. From a simple power on indicator through to a service warning light, the effective energy saving feature allows the dryer to be linked with a compressor control system and reduces air consumption during periods of low demand.

P Condensate management

Condensate management is essential to maximize dryer efficiency. Aircel AMD is supplied with an integral electronic drain valve which is operated and controlled by the CPU. This drain valve opens at the end of every cycle when an indicator illuminates and the CPU checks for any sign of malfunction in the dryer. Operation of the unit is viewed by the diagnostic control panel located on the front of each unit.

P Desiccant Cartridges

An improved desiccant cartridge design with integral handle facilitates a simple and clean change out procedure.

Dryer accessories



12,000 hour service kit includes: desiccant cartridges, spare pre-filter element, pack of sealing 'O' rings and washers, instruction leaflet.



Valve service kit: Shuttle seats, shuttles, pressure plugs, diaphragms, diaphragm brass discs, conical compression springs, exhaust solenoid valves, controller reset cap and a full set of replacement 'O' rings.



Operation

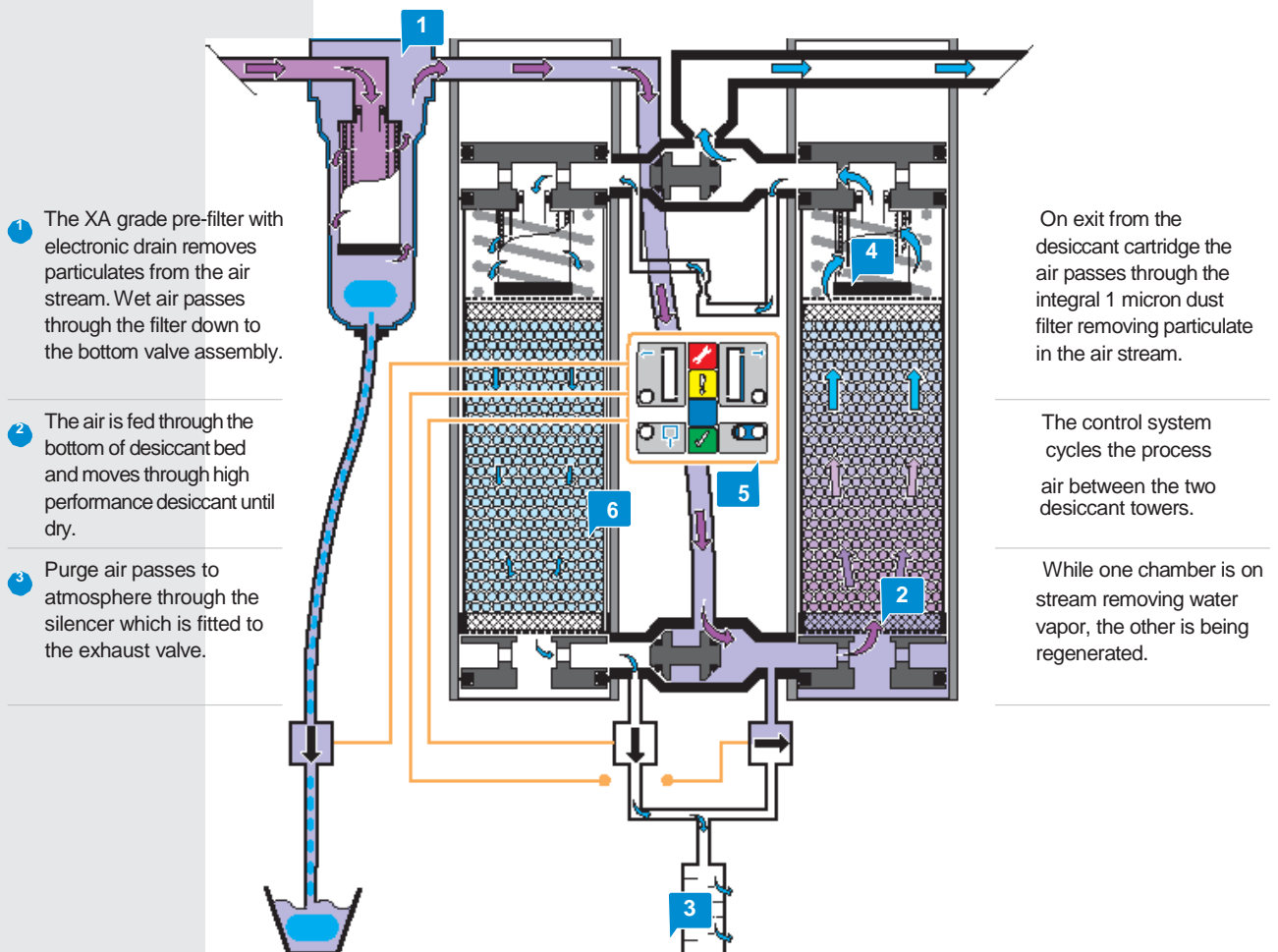
Aircel AMD is designed to provide a smooth, controlled, uninterrupted delivery of dry compressed air.

Wet air passes through a pre-filter and travels down to the bottom valve assembly. The air is then fed through the bottom of the desiccant bed and moves through the high performance desiccant until it becomes dry. On exit from the desiccant cartridge, the air is passed through the outlet valve assembly.

During this process, the dryer control system cycles the process air between the two desiccant towers. While one chamber is on stream removing water vapor, the other is being carefully depressurized in preparation for regeneration. The desiccant bed is regenerated by expanding a small amount of dry process air, or purge air, through the saturated desiccant.

Purge air passes to the atmosphere through the silencer, which is fitted to an exhaust valve. The chamber is then re-pressurized, with the control system assuring each chamber is at full operational pressure prior to changeover.

This ensures a reliable and efficient operation. The air stream is switched and the cycle repeats on a continuous basis.



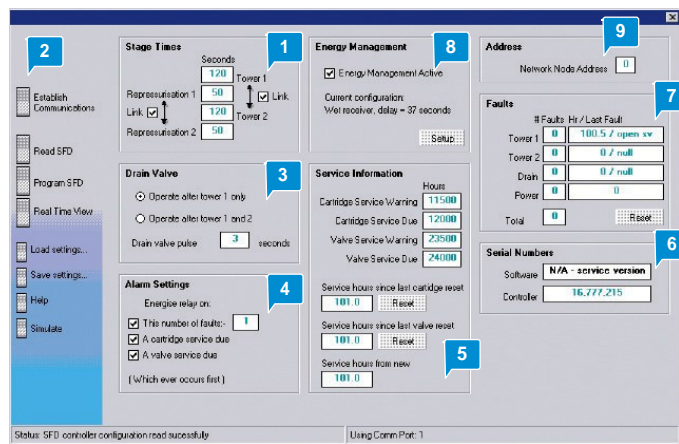


Intelligent Processor

Optional software interface and diagnostics control

Incorporating the new intelligent processor allows the Aircel AMD to be interfaced with a PC. The software interface package provides a sophisticated system allowing users to remotely interrogate the dryer as well as activate the built in energy management and remote alarm facility.

The package also provides a number of additional diagnostic tools, which the user can utilize and evaluate, and if required, modify the flexible operation parameters to ensure the dryer performs to the required conditions.



- 1 **Stage Times** Time settings for the re-pressurization of the desiccant towers.
- 2 **Real Time View** Provides an up to the minute status of dryer conditions.
- 3 **Drain Valve** The settings for the drain valve function are factory set. Through the use of the software there is the ability to change the settings as required.
- 4 **Alarm Settings** The user is able to adjust the remote alarm activation from the default values.
- 5 **Service Information** Indicates the default settings, service history, total hours run, and hours since last service.
- 6 **Serial Number** Each electronic processor and software package is allocated a unique serial number.
- 7 **Faults** If a fault occurs in the dryer, both the timings and the errors are logged on the software screen. Full operating history of the Aircel AMD is maintained.
- 8 **Energy Management** To save on the consumption of compressed air, the energy management facility can be activated from this window.
- 9 **Address** Indicates the network address of the dryer, should several dryers be operated from a single software screen.

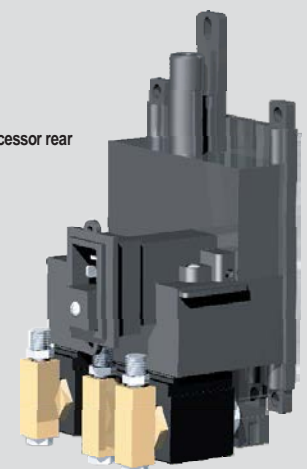
Processor Specifications

DIN Plug:	GDS Type C Industry Standard
Alarm ready relay rating:	3 amp
Alarm connector:	GDS Type C Industry Standard
Energy management signal:	5VDC
Energy management connector:	GDS Type C Industry Standard
Software interface connector:	RJ45
Processor/PC interface:	RS232
Network processor/PC interface:	RS485
Maximum number of nodes:	31
Environmental rating:	IP65

Processor front



Processor rear





Medical & Breathing Air Packages

Hospital and medical air

Hospitals around the world demand a clean, reliable, source of medical air which will deliver consistent pressure levels and flow rates. The medical air must be free from toxic contaminants, flammable or objectionable vapors, liquids and particulate debris. The air quality must conform to recognized international standards.

Both the medical dryer and the attached filtration have been designed and manufactured in accordance with international guidelines. Available in either simplex or duplex versions, the units currently utilize unique modular filters and desiccant drying processes to perform at its maximum capability.

Aircel can offer purposely designed medical packages for international markets. Our design engineers are able to offer support and technical consultation by combining our expert knowledge of filtration and drying products with our experience in liaising with OEM customers.

Hospital and medical air packages are unique. We work together with companies to provide the performance required to meet the varying performance standards required. For more information please contact the Aircel sales team.

Breathing air packages

The AMD-BA breathing air system uses a standard Aircel AMD desiccant compressed air dryer, which is upgraded with Pure Flow replaceable cartridges. These desiccant cartridges maintain normal ambient oxygen / nitrogen levels and remove water vapor. In addition, these units include a complete three stage filtration system consisting of a 1 micron pre-filter, 0.01 micron oil mist coalescer and outlet filtration for removing odors, tastes and most crucially carbon monoxide.

At the heart of the unit is a fully functional electronic controller complete with an LED control panel, built in self-monitoring diagnostics, software interface and energy management.

The AMD-BA range has been designed and manufactured to exceed current legislation guidelines including ISO 8573:1, BS EN 529: 2005 and EN 12021 and therefore is suitable for worldwide installation.

Typical breathing air applications

Typical industrial applications where the supply of compressed air is essential include mining, internal tank cleaning, asbestos removal, toxic spillages, nuclear environments and paint spraying. In these and similar applications, the operators will be working for long periods of time in arduous conditions.





OEM Design & Capability

Exceptional design capabilities allow Aircel Dryers to meet the highest demands of the OEM customer.

Aircel has designed and developed many successful OEM products together with a broad range of prestigious industry leaders all over the world.

With the expertise of our dedicated design team, we have exceptional capabilities at our disposal, so whatever the challenge and specification, Aircel has the solution.

Our existing range of products provides a basis for modification or further development. We have an enviable reputation for our technical knowledge and ability to deliver solutions quickly. We understand the quick turnaround expected from development to prototype to launch. All aspects of the product are considered including brand management, bespoke packaging, language support, unique part numbers and transport details.

The evolution of an OEM product

Every OEM solution developed by Aircel has unique aspects, yet most follow a common procedure:

- a company involved in compressed air technology requires a filtration or drying solution to give them an advantage over their competitors.
- an inquiry is made to Aircel, we evaluate the requirement and ascertain whether we can help.
- a commitment is made to designing or adapting an existing product to realize an innovative and marketable solution for the customer.
- an Aircel design engineer is assigned to the product to liaise with the customer and ensure the trouble free development of the product.
- after a period of consultation and development a solution is proposed and agreed.
- prototypes are manufactured, tested and the customer offers feedback on the results.
- following any necessary design amends, material supply issues, or manufacturing process alterations the product is approved and full production begins.



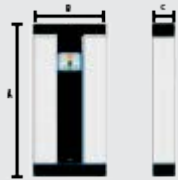


The ultimate filtration & drying technology

Technical Specification

dryer model	pipe size"	inlet flow rate			dryer configuration	required filtration	supplied as standard	dimension mm			weight		dimension inch		
		scfm	Nm ³ /h	l/sec				A	B	C	Kg	lb	A	B	C
AMD-004	3/8"	4	7	1.9	Simplex	A30	P	445	281	92	13	29	17.5	11	3.6
AMD-006	3/8"	6	10	2.8	Simplex	A30	P	504	281	92	14	31	20	11	3.6
AMD-008	3/8"	8	14	3.8	Simplex	A30	P	565	281	92	15	33	22	11	3.6
AMD-010	3/8"	10	17	4.7	Simplex	A30	P	635	281	92	16.5	36	25	11	3.6
AMD-015	3/8"	15	25	7.1	Simplex	A30	P	815	281	92	19.5	43	32	11	3.6
AMD-025	3/8"	25	42	11.8	Simplex	A30	P	1065	281	92	24	53	42	11	3.6
AMD-035	3/8"	35	59	16.5	Simplex	A30	P	1460	281	92	31	68	57.5	11	3.6
AMD-045	3/4"	45	76	21.2	Simplex	A55	P	652	520	164	53	117	28.0	20.5	
AMD-055	3/4"	55	93	26.0	Simplex	A55	P	752	520	164	59	130	31.8	20.5	
AMD-065	3/4"	65	110	30.7	Simplex	A55	P	852	520	164	64	141	36.0	20.5	
AMD-085	1"	85	144	40.0	Simplex	A76	P	1052	520	164	75	165	43.5	20.5	
AMD-105	1"	105	178	49.6	Simplex	A76	P	1362	520	164	91	200	55.8	20.5	
AMD-135	1 1/4"	135	229	63.7	Simplex	A105	P	1562	520	164	102	225	63.5	20.5	
AMD-175	1 1/4"	175	297	82.6	Simplex	A106	P	1962	520	164	123	271	79.5	20.5	

MDD-004N - MDD-035N



MDD-045N - MDD-365N



1. All models include an XA grade pre-filter.
2. 1 micron outlet dust filtration is built into all desiccant cartridges.
3. It is recommended that a water separator and an X1 (micron) grade filter (both not included as standard) precede the XA (0.1 micron) filter and dryer package.

Specification

Standard pressure dew point	-40°C / -40°F
Optional pressure dew point	-70°C / -100°F
Minimum working pressure	4 barg / 58 psig
Maximum working pressure	16 barg / 232 psig
Power supply	12VDC to 24VDC or 100VAC to 240VAC
Minimum inlet temperature	1.5°C / 35°F
Maximum inlet temperature	50°C / 122°F
Minimum ambient temperature	5°C / 41°F

Dryer correction factors

Operating pressure barg / psig	4/58	5/72	6/87	7/100	8/116	9/130	10/145	11/160	12/174	13/189	14/203	15/218	16/232
Pressure correction factor (PCF)*	0.62	0.75	0.87	1	1.12	1.25	1.37	1.5	1.62	1.75	1.87	2.0	2.12
Temperature °C / °F	20 / 68	25 / 77	30 / 86	35 / 95	40 / 104	45 / 113	50 / 122						
Temp. correction factor	1.07	1.06	1.04	1.00	0.88	0.78	0.55						
Dewpoint °C / °F	-40/-40	-70/-100											
Dewpoint correction factor	1	0.7											

*Always use the pressure correction factor (PCF) closest to the actual inlet pressure condition



Selection

Selection and ordering information

To select the Aircel AMD suitable for your application, the following information is required: -

Minimum inlet pressure	Maximum inlet flow
Maximum inlet temperature	Required dew point

With the above information, follow the selection example below: -

Compressor outlet pressure @ 7 barg / 100 psig and dryer inlet flow rate @ 41 scfm (70 Nm ³ /h - 19 l/s)	
Dryer inlet pressure, after pipework, valves, receiver and filtration @ 6.3 barg / 91 psig	
Dryer inlet temperature	25°C / 77°F
Outlet dewpoint	-70°C / -100°F
Pressure correction factor (PCF)	0.9
Temperature correction factor (TCF)	1.06
Dew point correction factor (DCF)	0.7

Corrected dryer flow rate	Compressor flow rate	41	=	61 scfm
	PCF x TCF x DCF	0.9 x 1.06 x 0.7		(104 Nm ³ /h - 29 l/s)

As the above dryer sizing table, the correct dryer for this application, with a corrected flow rate of 61 scfm (104 Nm³/h or 29 l/s) is an AMD-065.



Aircel AMD service kit 12,000 hours (or 2 years)

Dryer	Description	Kit Number
AMD-004	Aircel AMD desiccant cartridge x 2	AMD-C004 - 12,000
AMD-006	Aircel AMD desiccant cartridge x 2	AMD-C006 - 12,000
AMD-008	Aircel AMD desiccant cartridge x 2	AMD-C008 - 12,000
AMD-010	Aircel AMD desiccant cartridge x 2	AMD-C010 - 12,000
AMD-015	Aircel AMD desiccant cartridge x 2	AMD-C015 - 12,000
AMD-025	Aircel AMD desiccant cartridge x 2	AMD-C025 - 12,000
AMD-035	Aircel AMD desiccant cartridge x 2	AMD-C035 - 12,000
AMD-045	Aircel AMD desiccant cartridge x 2	AMD-C045 - 12,000
AMD-055	Aircel AMD desiccant cartridge x 2	AMD-C055 - 12,000
AMD-065	Aircel AMD desiccant cartridge x 2	AMD-C065 - 12,000
AMD-085	Aircel AMD desiccant cartridge x 2	AMD-C085 - 12,000
AMD-105	Aircel AMD desiccant cartridge x 4	AMD-C105 - 12,000
AMD-135	Aircel AMD desiccant cartridge x 4	AMD-C135 - 12,000
AMD-175	Aircel AMD desiccant cartridge x 4	AMD-C175 - 12,000
AMD-215	Aircel AMD desiccant cartridge x 8	AMD-C215 - 12,000
AMD-275	Aircel AMD desiccant cartridge x 8	AMD-C275 - 12,000
AMD-365	Aircel AMD desiccant cartridge x 8	AMD-C365 - 12,000

12,000 hour service kit includes Desiccant cartridges, spare pre-filter element, pack of sealing 'O' rings and washers, instruction leaflet

Aircel AMD VALVE service kit

Dryer	Kit Number
AMD-004	VSKS01
AMD-006	VSKS01
AMD-008	VSKS01
AMD-010	VSKS01
AMD-015	VSKS01
AMD-025	VSKS01
AMD-035	VSKS01
AMD-045	AMD-VSKS01
AMD-055	AMD-VSKS01
AMD-065	AMD-VSKS01
AMD-085	AMD-VSKS01
AMD-105	AMD-VSKS01
AMD-135	AMD-VSKS01
AMD-175	AMD-VSKS01
AMD-215	AMD-VSKD01
AMD-275	AMD-VSKD01
AMD-365	AMD-VSKD01

Valve service kit includes exhaust valve diaphragm, exhaust valve solenoids, shuttle valve and 'O' rings, extrusion/valve block 'O' rings

Technical notes - Aircel AMD

- All flow rates are based on 7.0 barg / 100 psig, at the dryer inlet and not at the compressor. It is important to apply correction factors to ensure the specified dryer performance.
- Aircel Dryers highly recommend that a WS Centrifugal Water Separator be used in conjunction with the standard Aircel AMD package.
- Aircel Dryers supply a full range of additional filters and accessories to suit other applications.



Aircel
 323 Crisp Circle
 Maryville, TN 37801
 USA
 t 800 767 4599
 f 865 681-7069
 e sales@airceldryers.com
 w airceldryers.com

airceldryers.com