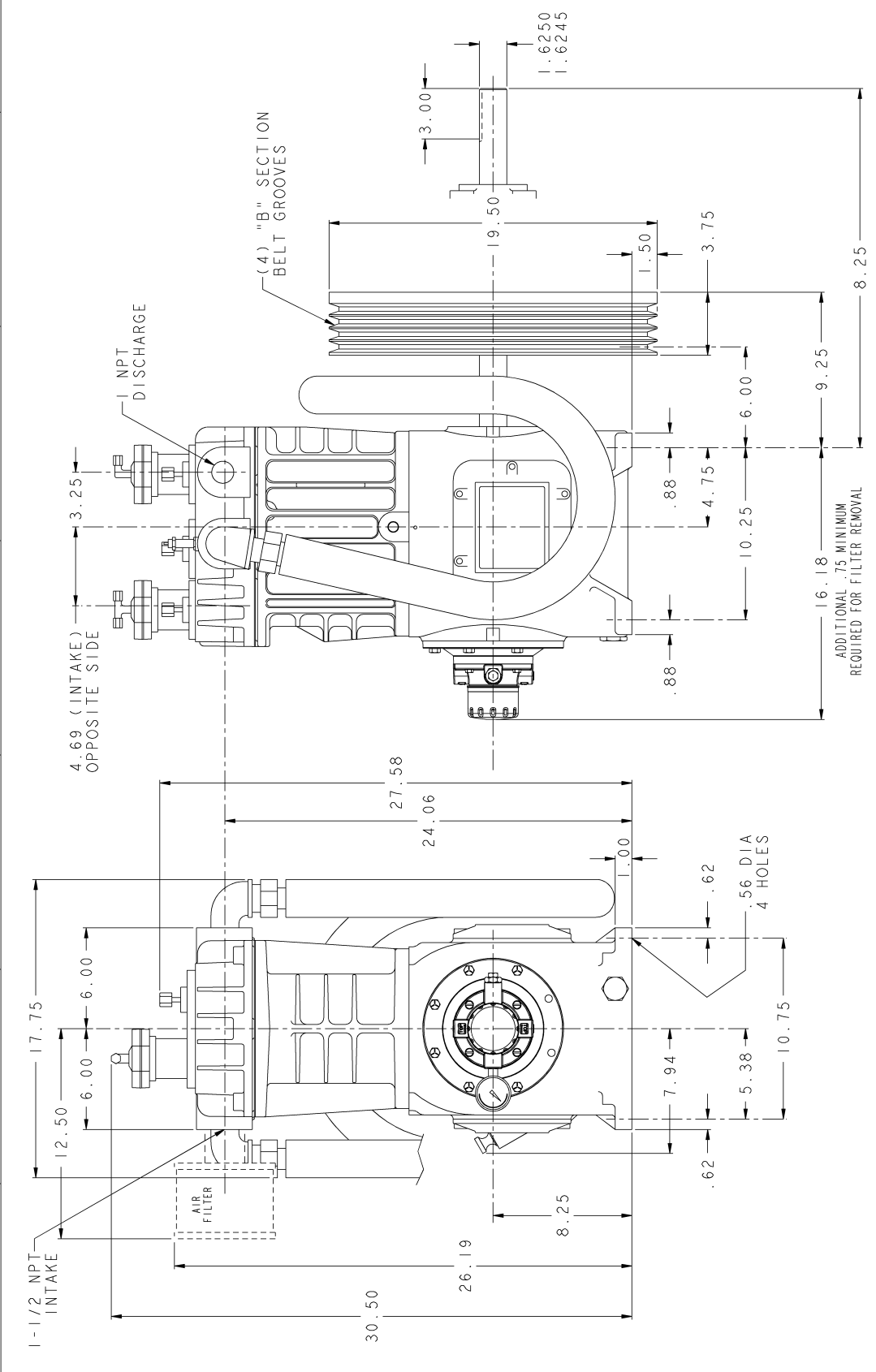


ZONE	SYM	DESCRIPTION	REV NO	DATE	APPD
E		1) MIGRATED TO PRO-E 2) FLYWHEEL WAS 3 BELT GROOVES, NOW 4	5088-32	7/10	TR
F		REVISED BEARING CARRIER ASSEMBLY	5088-49	5/12	GLH



REFERENCE ONLY UNLESS  
SIGNED AND DATED BELOW

CERTIFIED BY:

DATE:

THIS MATERIAL IS CONSIDERED TO BE A PRESSURE VESSEL AND IS SUBJECT TO THE REQUIREMENTS OF THE ASME BOILER AND PRESSURE VESSEL CODE. THE USER SHALL BE RESPONSIBLE FOR OBTAINING THE NECESSARY PERMITS AND INSURANCE. THE MANUFACTURER SHALL NOT BE RESPONSIBLE FOR ANY DAMAGE TO PERSONS OR PROPERTY CAUSED BY THE USE OF THIS MATERIAL.

DR	NAME	DATE
DESIGNED	FLD	6/95
CHKD	GLH	7/95
APPD	GLH	7/95

TITLE	SCALE	SHEET	OF
Quincy Compressor Quincy With Encoder		173	1
DIMENSIONAL QR-350 AIR-COOLED TWO STAGE COMPRESSOR		173	1
SIZE	SCALE	WT	LBS
D	ED350		

ALL DIMENSIONS ARE GIVEN IN INCHES.  
QR-350 BASIC IS A PRESSURE  
LUBRICATED COMPRESSOR.