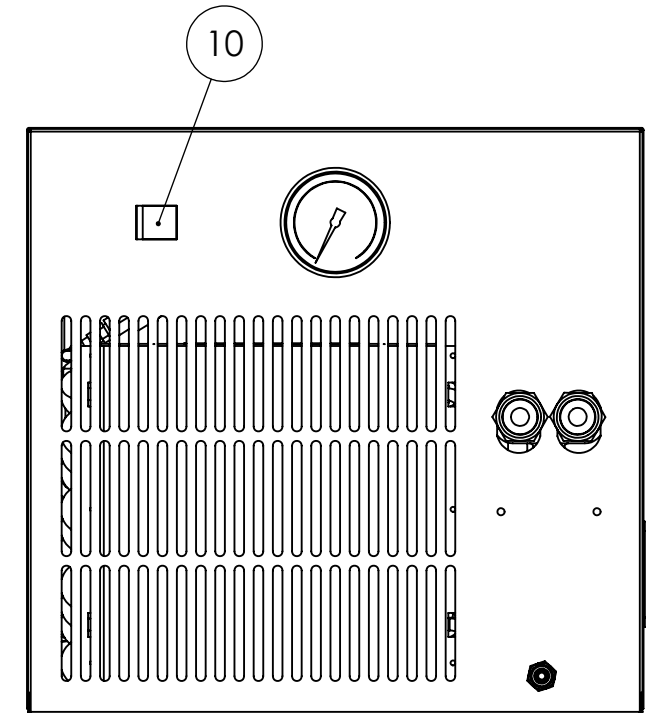


ITEM NO.	QTY.	STOCK #	Description
1	1	AG3941931	FAN MOTOR
2	1	AG3941932	FAN BLADES
3	1	AG3481329	FAN CYCLE SWITCH
4	1	AG3942092	FILTER-DRIER
5	1	AG3105701	CONSTANT PRESSURE VALVE
6	1	AG3480088	GAUGE, SUCTION, PRESSURE
7	1	AG3481058	HEAT EXCHANGER
8	1	AG3368601	VALVE, SCHRADER
9	1	AG3020601	TIMER DRAIN
10	1	AG3103601	SWITCH DOUBLE POLE 20 AMP
11	1	AG3942090	COMPRESSOR, 1/3 HP
12	1	AG3942094	RELAY
13	1	AG3480501	START CAPACITOR



UNLESS OTHERWISE SPECIFIED:		NAME	DATE	COMPRESSED AIR AND GAS PRODUCTS 323 CRISP CIRCLE MARYVILLE TENNESSEE 37801 PHONE: 865-681-7066 FAX: 865-681-7069	
DIMENSIONS ARE IN INCHES TOLERANCES: FRACTIONAL ± 0.125 ANGULAR: ± 0.5° TWO PLACE DECIMAL ± .03 THREE PLACE DECIMAL ± .003 THIRD ANGLE PROJECTION		DRAWN	BH		7/29/15
MATERIAL		CHECKED	J.J.	7/29/15	TITLE: DRYER, REFRIGERATED, VF-60 SPARE PARTS
FINISH		ENG APPR.			
DO NOT SCALE DRAWING		MFG APPR.			
		Q.A.			SIZE B DWG. NO. AG3022601 REV 1
		COMMENTS:			

PROPRIETARY AND CONFIDENTIAL
 THE INFORMATION CONTAINED IN THIS DRAWING IS THE SOLE PROPERTY OF AIRCEL LLC. ANY REPRODUCTION IN PART OR AS A WHOLE WITHOUT THE WRITTEN PERMISSION OF AIRCEL LLC IS PROHIBITED.