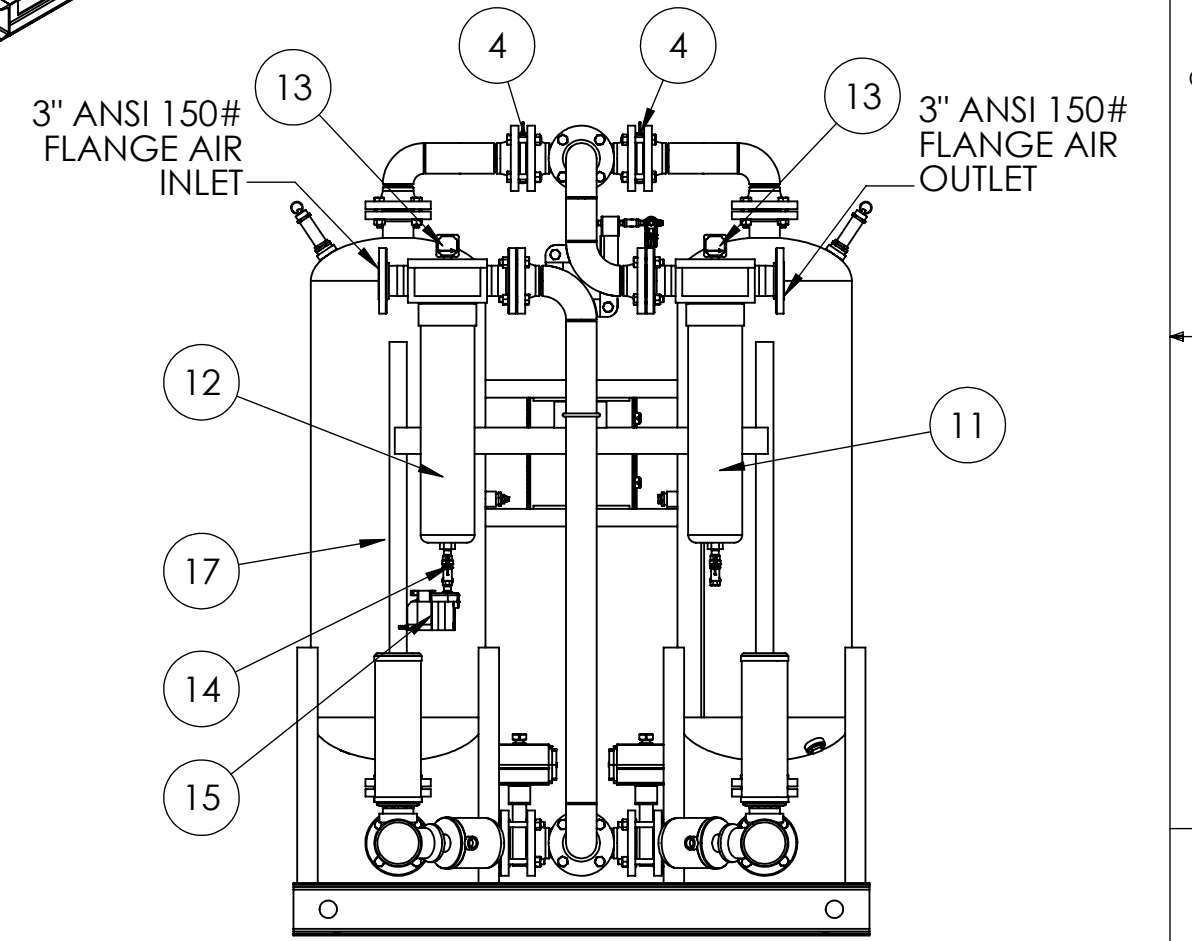
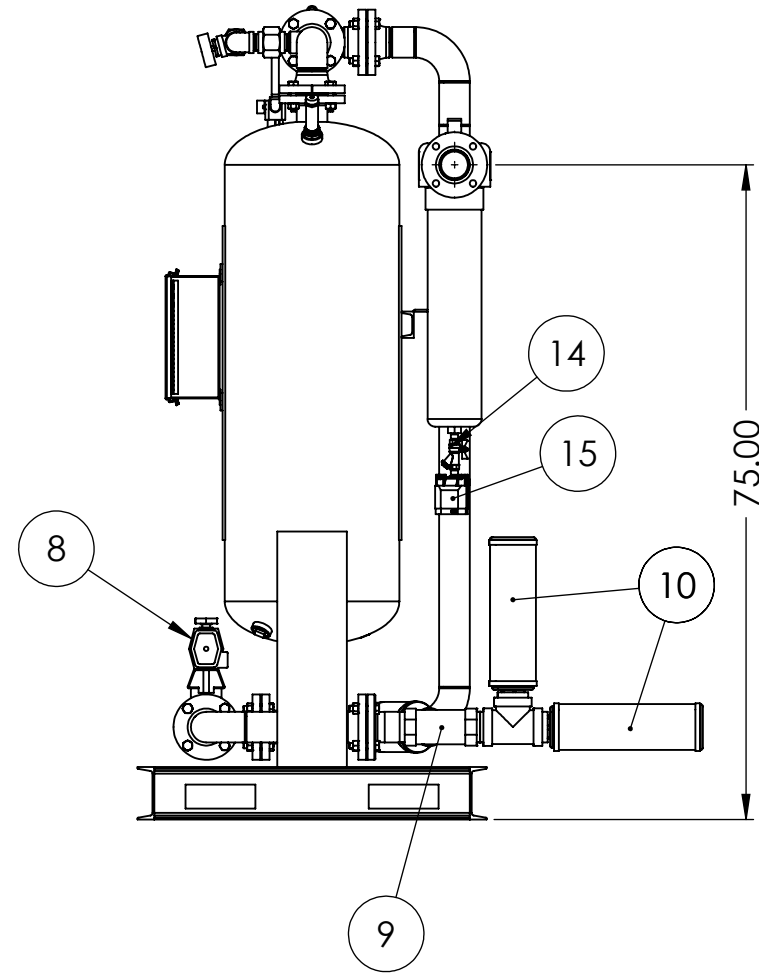
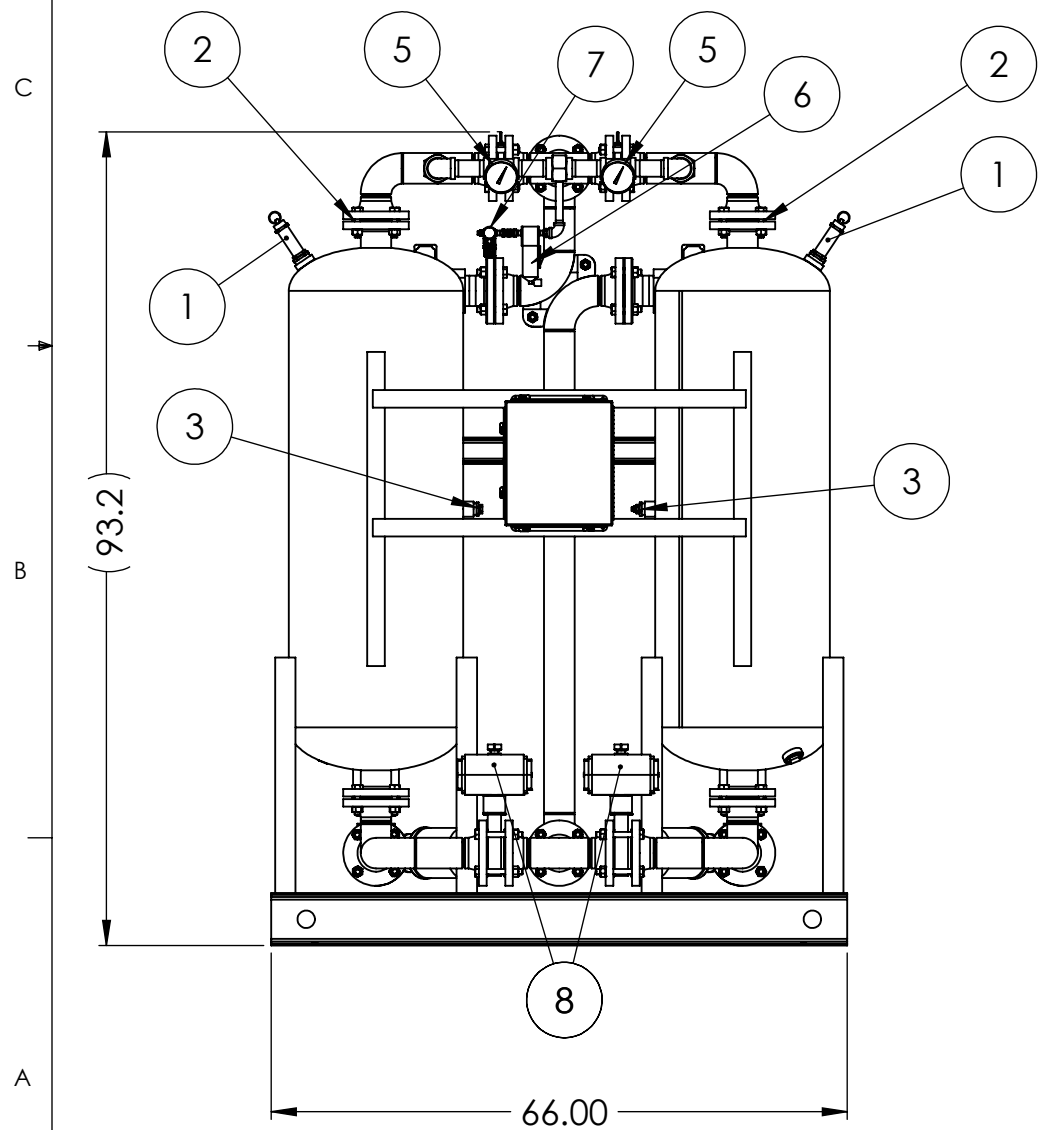


ITEM NO.	QTY.	STOCK #	Description
1	2	AG3271901	VALVE SAFETY RELIEF, M1 X F1-1/4
2	4	AG3290001	SCREEN ASSY, 3" FLANGE SS - 304
3	2	AG3935114	DIFFUSER SCREEN, VESSEL DESSICANT BED
4	2	1C910061-US	VALVE, CHECK WAFER. 3"
5	2	AG3480089	GAUGE, PRESSURE, 0-200 PSIG
6	1	AG3935154	ELEMENT, PARTICULATE, F/PILOT AIR FILTER
7	1	AG3234801	REGULATOR, 1/4" NPT, 290_PSI INLET, 2" 0-160 PSI GAUGE
8	2	AG3268101	VALVE, BUTTERFLY, 3"
9	2	AG3934970	ANGLE SEAT VALVE, 3 IN.
10	4	AG3934192	MUFFLER, 2.0"
11	1	AG3488111	ELEMENT, PARTICULATE
12	1	AG3488112	ELEMENT, COALESCING
13	2	AG3940710	DIFFERENTIAL PRESSURE GAUGE
14	2	AG3942303	VALVE, 1/2" FPT, BALL-Y-STRAINER COMBO
15	1	AG3939988	CONDENSATE DRAIN
16	22	AG3288401	FLANGE GASKET, HIGH-TEMP, 3 IN, 150 LB, 0.0625 IN TH
17	910 LBS	AG3319301	DESICCANT, ACTIVATED ALUMINA



PROPRIETARY AND CONFIDENTIAL
 THE INFORMATION CONTAINED IN THIS DRAWING IS THE SOLE PROPERTY OF AIRCEL LLC. ANY REPRODUCTION IN PART OR AS A WHOLE WITHOUT THE WRITTEN PERMISSION OF AIRCEL LLC IS PROHIBITED.

UNLESS OTHERWISE SPECIFIED:
 DIMENSIONS ARE IN INCHES
 TOLERANCES:
 FRACTIONAL ± 0.125
 ANGULAR: ± 0.5°
 TWO PLACE DECIMAL ± .03
 THREE PLACE DECIMAL ± .003

THIRD ANGLE PROJECTION

MATERIAL

FINISH

DO NOT SCALE DRAWING

	NAME	DATE
DRAWN	BH	09/21/18
CHECKED	MS	09/21/18
ENG APPR.		
MFG APPR.		
Q.A.		
COMMENTS:		

Aircel COMPRESSED AIR AND GAS PRODUCTS
 323 CRISP CIRCLE
 MARYVILLE TENNESSEE 37801
 PHONE: 865-681-7066
 FAX: 865-681-7069

TITLE: DRYER, DESICC, AHLD-1000
 PACK B, 1 PRE & AFTER FILTER,
 MECHANICAL SPARE PARTS

SIZE B	DWG. NO. AG9933640-B SPARE	REV 0
------------------	-------------------------------	-----------------

SCALE: 1:50 WEIGHT: SHEET 1 OF 1