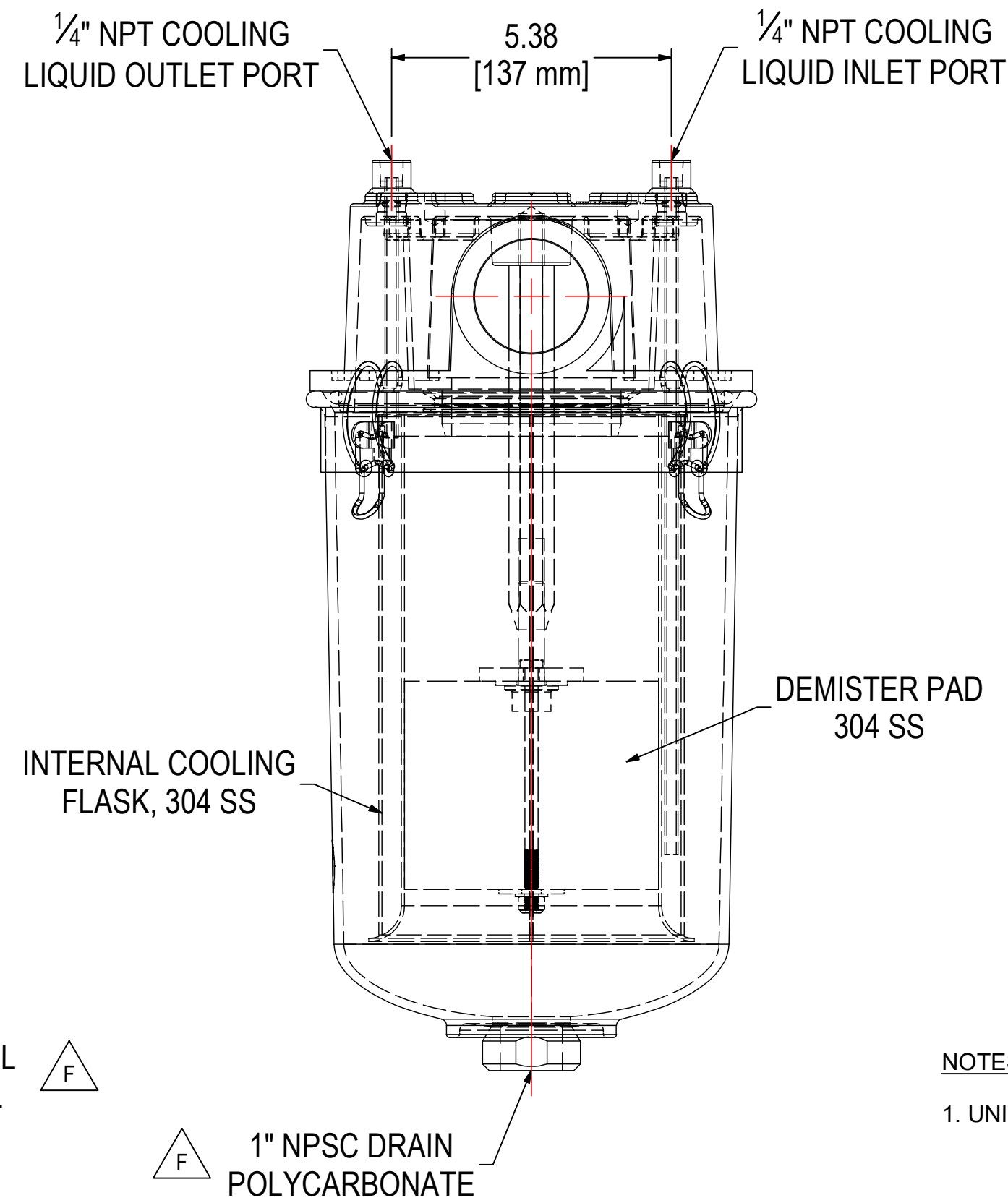
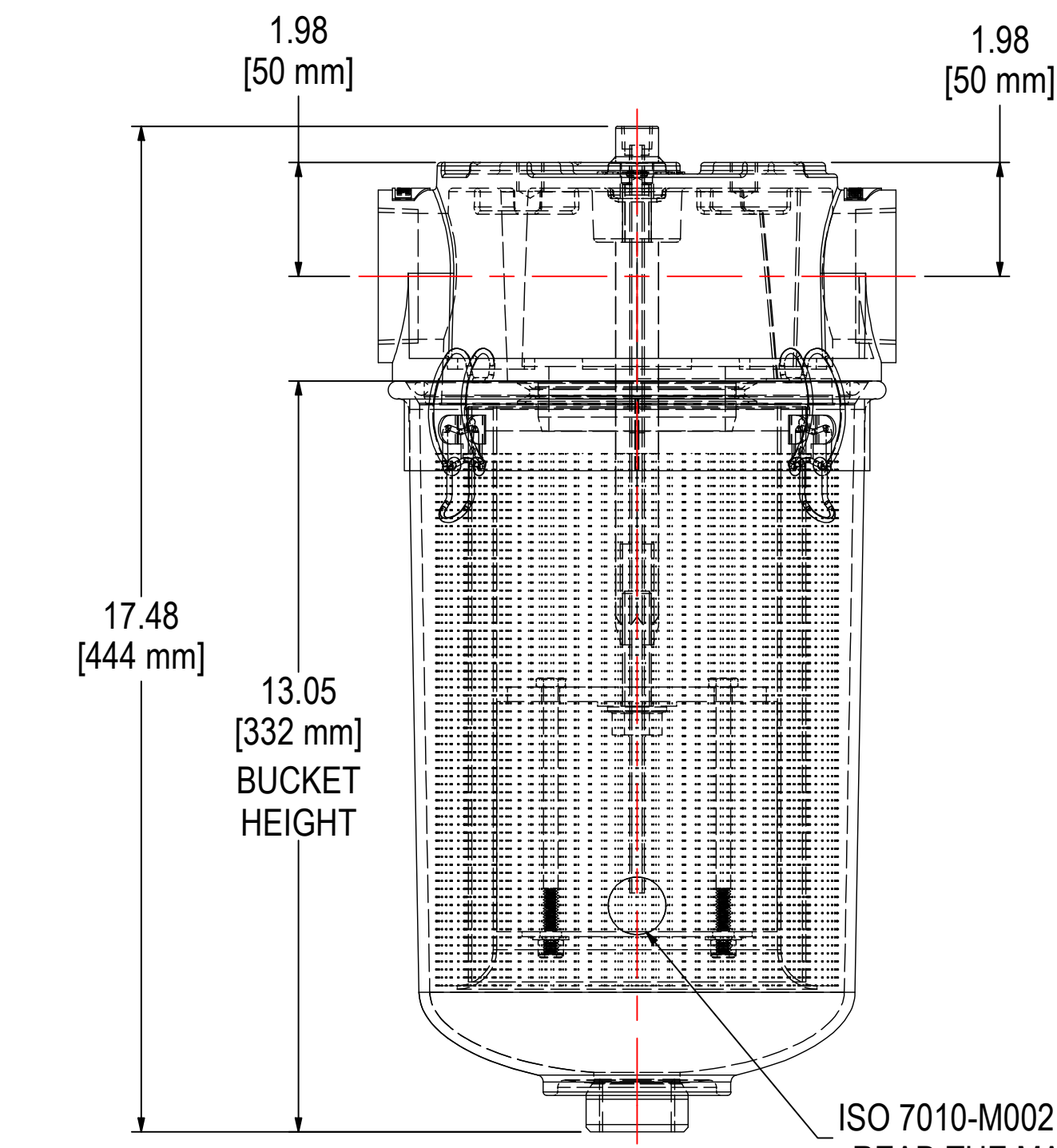
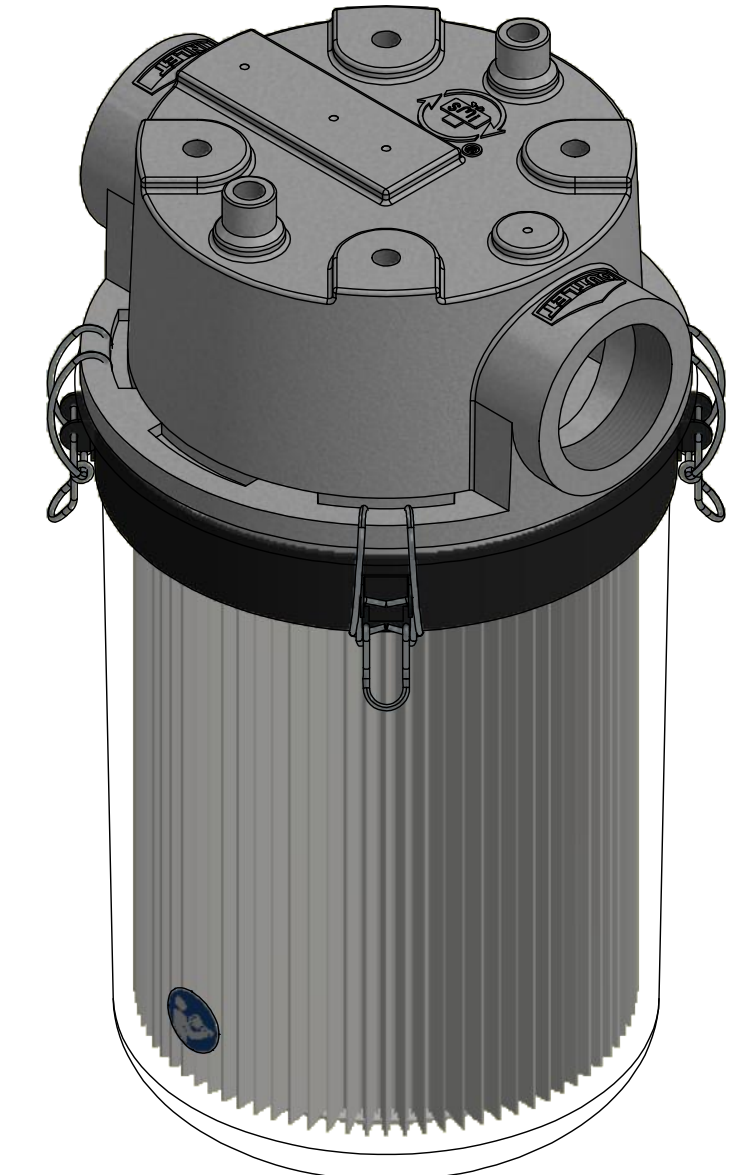
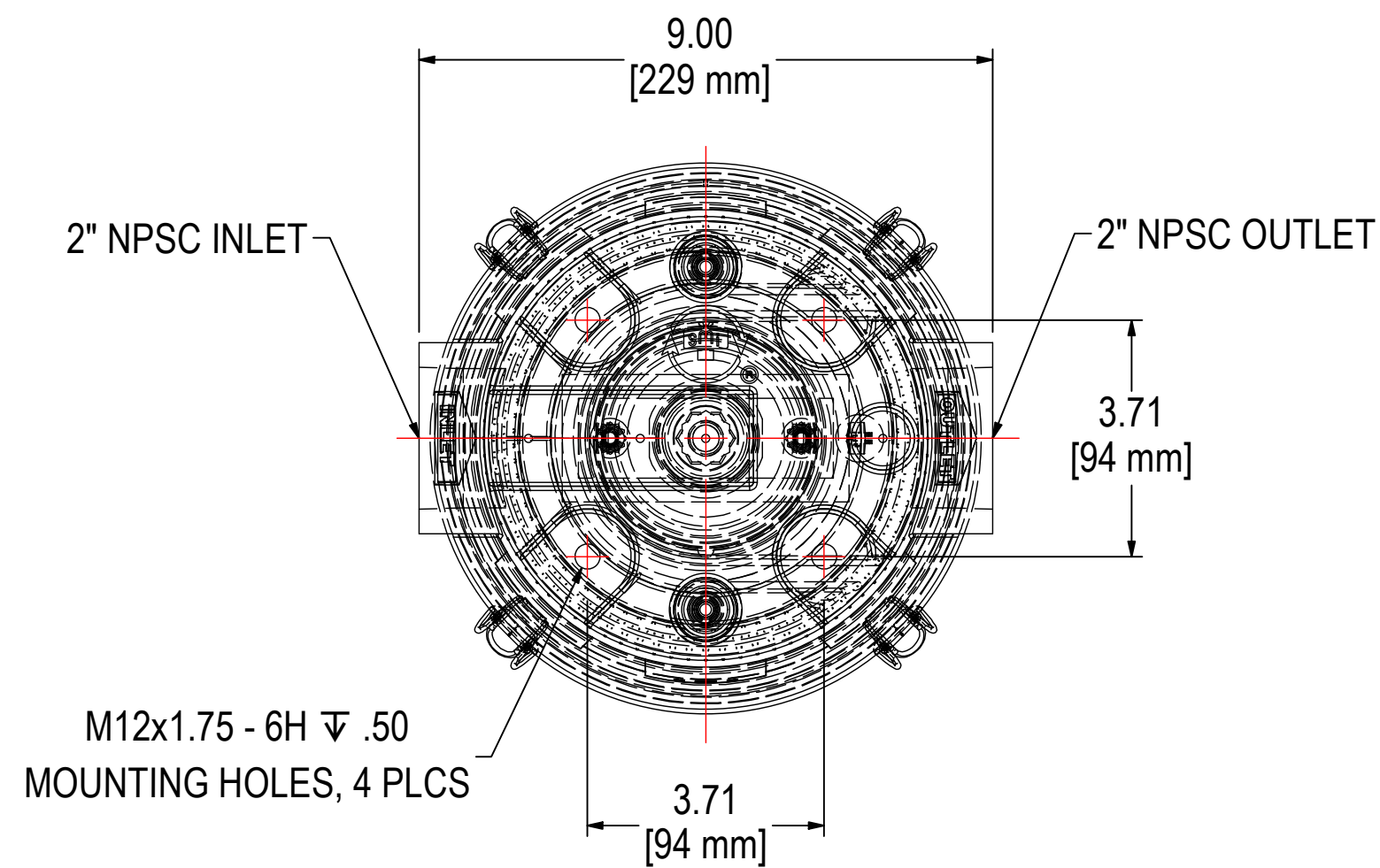


REV	DESCRIPTION	ECN #	CHG BY	DATE	APP'D
A	ADDED NOTE ON UNIT FLOW	PER M.C.	TAS	10/20/14	M.C.
B	ADDED COOLANT INLET & OUTLET DETAIL	PER CCS	EZR	03/27/15	CCS
C	UPDATED COOLANT PORT INFORMATION	PRJ 347	TAS	03/09/16	MJC
D	UPDATED DRAIN DESIGN	18028	JSR	01/03/20	EZR
E	UPDATED COOLING FLASK, WAS CARBON STEEL	18881	EZR	04/03/20	TAS
F	UPDATED DRAIN, WAS SS	PRJ 676	EZR	05/14/21	TAS



**NOTES & SPECIFICATIONS:**  
 1. UNIT FLOW RATE: 120 CFM (204 m<sup>3</sup>/hr)

<b>MODEL #:</b> JST-C2048-200C	<b>MATERIAL:</b> ALUMINUM/CARBON STEEL/POLYCARBONATE	<b>FINISH:</b> NONE/BLACK POWDER/NONE
<b>MODEL NUMBER:</b> JST-C2048-200C	<b>SHEET:</b> 1 OF 1	
<b>DESCRIPTION:</b> JST-C2048-200C, 1" NPSC DRAIN, SS COOLING FLASK, CLEAR BUCKET		
<b>PROJECT:</b>	<b>DRAWN BY:</b> JCB	<b>APPROVED BY:</b>
	<b>DATE:</b> 3/5/2014	<b>DATE:</b>
		<b>REV:</b> F

**SOLBERG**  
 Filtration • Separation • Silencing  
 630.773.1363 • www.solbergmfg.com

THE INFORMATION CONTAINED HEREIN IS CONFIDENTIAL AND THE PROPERTY OF SOLBERG MANUFACTURING INC. AND IT IS FURNISHED TO YOU WITH THE EXPRESS UNDERSTANDING THAT IT WILL NOT BE REPRODUCED, COPIED IN ANY MANNER, LOANED OR OTHERWISE TRANSFERRED TO OTHERS ENTIRELY OR IN PART, NOR USED FOR ANY PURPOSE OTHER THAN FOR WHICH IT WAS FURNISHED. IT WILL BE RETURNED UPON REQUEST TO SOLBERG MANUFACTURING INC. THE ABOVE RESTRICTION IS IN ADDITION TO, AND DOES NOT IN ANY WAY ALTER, ANY OTHER RESTRICTIONS WHICH MAY APPLY TO THE INFORMATION CONTAINED HEREIN.

**TOLERANCES**  
 DIMENSIONS ARE FOR REFERENCE ONLY. ALL DIMENSIONS ARE SUBJECT TO CHANGE UPON PRODUCTION.  
 UNLESS OTHERWISE SPECIFIED:  
 -DIMENSIONS ARE IN INCHES  
 -REF: APPROXIMATE DIMENSIONS, NO TOLERANCES APPLY  
 -FINISH: BREAK EDGES TO .005-.020 RADIUS/CHAMFER